



2CB5-K

Producers of the Supaboil, Kwikboil, Microboil Premier & Standard.



Application & Sizing

- For foodservice, vending machine and coffee service applications
- Ideal for problem water areas
- 5 Micron Rating
- Capacity: 11,350 L (3,000 gallons)

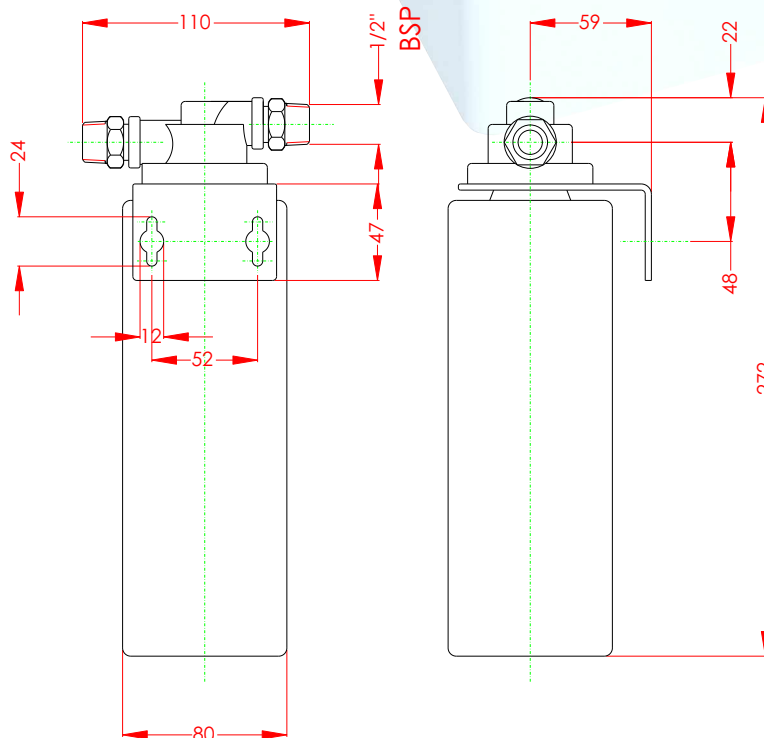
Benefits

- Carbon block filter finely polishes water for high quality beverage and food applications
- Reduces chlorine taste and odour and other offensive contaminants that can adversely affect the taste of water and beverages
- Reduces extra fine dirt and particles as small as 5 micron in size
- Does not remove fluoride
- Saves energy by reducing limescale build-up. Scale can also cause excessive machine downtime and increased maintenance costs
- Features KDF® Media which inhibits microbial build-up
- Sanitary cartridge replacement is simple, quick and clean. Internal filter parts are never exposed to handling or contamination
- NSF Certified under NSF Standard 42

- Use 3/8" or 1/2" water line
- Install vertically with cartridge hanging down
- Allow 75mm clearance below the cartridge for easy cartridge replacement
- Flush 2CB5-K cartridge by running water through filter for 5 minutes at full flow

- Change cartridges on a regular 6 month preventative maintenance program
- Change cartridges when capacity is reached or when pressure falls below 10 psi
- Service flow rate must not exceed 2.2 lpm
- Always flush the filter cartridge at time of installation and cartridge change

Dimensional Information



When installing filters we recommend the installation of a pressure limiting valve

When installing, allow a minimum clearance of 75mm below the filter cartridge to allow for easy cartridge replacement.

Supakwik
water heaters

3/61 Boyland Avenue
Coopers Plains
Queensland 4108

Australia
Phone (07) 3255 6389
Fax (07) 3255 6387
Email. sales@supakwik.com
Website www.supakwik.com