



**Supakwik** Water Heaters Pty Ltd

## Product Catalogue

Boiling and chilled filtered water solutions  
for commercial & domestic applications

**Supatap**  
Underbench Series



**Supaboil and Kwikboil**  
Overbench Series

Supakwik leads the industry in bringing you Patented  
Motion Detection Power  
Saving Technology





# Product Index

## UNDERBENCH RANGE - SUPATAP

Code	Model	Description	Page
BF100	Supatap	Boil 100 Cup / Ambient Filtered Unlimited	04
BF120	Supatap	Boil 120 Cup / Ambient Filtered Unlimited	05
BF170	Supatap	Boil 170 Cup / Ambient Filtered Unlimited	06
BF200	Supatap	Boil 200 Cup / Ambient Filtered Unlimited	07
BC100/60	Supatap	Boil 100 Cup / Chill 60 Cup Filtered	08
BC120/60	Supatap	Boil 120 Cup / Chill 60 Cup Filtered	09
BC170/60	Supatap	Boil 170 Cup / Chill 60 Cup Filtered	10
BC200/60	Supatap	Boil 200 Cup / Chill 60 Cup Filtered	11
BCF170/60	Supatap	Boil 170 Cup / Chill 60 Cup / Ambient Filtered Unlimited	12
BCF200/60	Supatap	Boil 200 Cup / Chill 60 Cup / Ambient Filtered Unlimited	13

## OVERBENCH RANGE - Motion Detection

Code	Model	Description	Nominal Capacity	Page
MA020	Supaboil	20 Cup - Unfiltered	3 Litre	14
MA038	Supaboil	38 Cup - Unfiltered	6 Litre	15
MA050	Supaboil	50 Cup - Unfiltered	8 Litre	16
MA020F	Supaboil	20 Cup - Filtered	3 Litre	17
MA038F	Supaboil	38 Cup - Filtered	6 Litre	18
MA050F	Supaboil	50 Cup - Filtered	8 Litre	19

## OVERBENCH RANGE - Standard

Code	Model	Description	Nominal Capacity	Page
SA020	Kwikboil	20 Cup - Unfiltered	3 Litre	20
SA038	Kwikboil	38 Cup - Unfiltered	6 Litre	21
SA050	Kwikboil	50 Cup - Unfiltered	8 Litre	22
SA075	Kwikboil	75 Cup - Unfiltered	12 Litre	23
SA100	Kwikboil	100 Cup - Unfiltered	16 Litre	24
SA160	Kwikboil	160 Cup - Unfiltered	25 Litre	25
SA020F	Kwikboil	20 Cup - Filtered	3 Litre	26
SA038F	Kwikboil	38 Cup - Filtered	6 Litre	27
SA050F	Kwikboil	50 Cup - Filtered	8 Litre	28
SA075F	Kwikboil	75 Cup - Filtered	12 Litre	29
SA100F	Kwikboil	100 Cup - Filtered	16 Litre	30
SA160F	Kwikboil	160 Cup - Filtered	25 Litre	31

## CHILLED WATER

Code	Model	Description	Page
UB7035F	Chiller	Under Bench - 60 glass per hour - 5 Micron Filtration	32
UB7035S	Chiller	Under Bench - 60 glass per hour - ½ Micron Filtration	33

## AMBIENT WATER

Code	Model	Description	Page
ATG02S	Supakwik	Ambient Water Kit - Goose Neck Tap - ½ Micron Filtration	34
ATL02S	Supakwik	Ambient Water Kit - Long Reach Tap - ½ Micron Filtration	35



# Product Index

## TUNDISH

Code	Model	Description	Page
T18020	Supakwik	Counter Top Mounted - Brass Chrome Plated	36
T09020	Supakwik	Wall Mounted - Brass Chrome Plated	37

## FILTRATION

Code	Description	Page
F02F	Filter Cartridge - 5 Micron - Bayonette Style	38
S02F	Filter Cartridge - ½ Micron - Bayonette Style	39
FH1212F	Filter Cartridge - 5 Micron & Head Assembly ½" BSP	40
FH1212S	Filter Cartridge - ½ Micron & Head Assembly ½" BSP	41
FH1414F	Filter Cartridge - 5 Micron & Head Assembly ¼" BSP	42
FH1414S	Filter Cartridge - ½ Micron & Head Assembly ¼" BSP	43

## AIR BREAKS

Code	Model	Description	Page
AC1050	Supakwik	Air Break - Chromed Brass - ½" Male x 1" Male	44
AC1060	Supakwik	Air Break - Chromed Brass - ½" Male x 1¼" Male	45
AC1070	Supakwik	Air Break - Chromed Brass - ½" Male x 1½" Male	46

## COUNTER TOP FONTS

Code	Model	Description	Page
CTF-GB	Supakwik	Glass Font, Black, Complete with Drain Kit	47
CTF-GW	Supakwik	Glass Font, White, Complete with Drain Kit	48
CTF-SC	Supakwik	Chrome Font, Complete with Drain Kit	49

## SPARE PARTS

Page 50



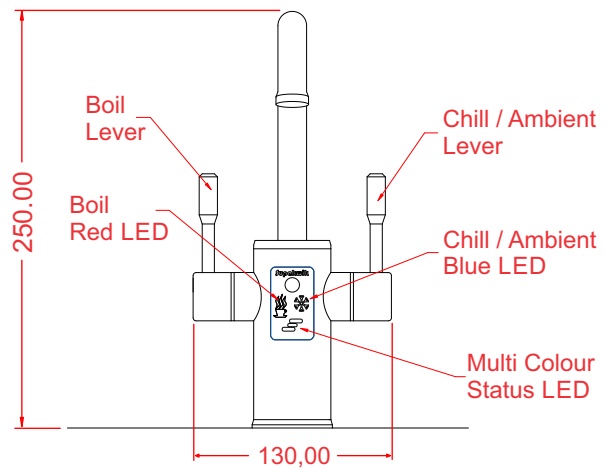
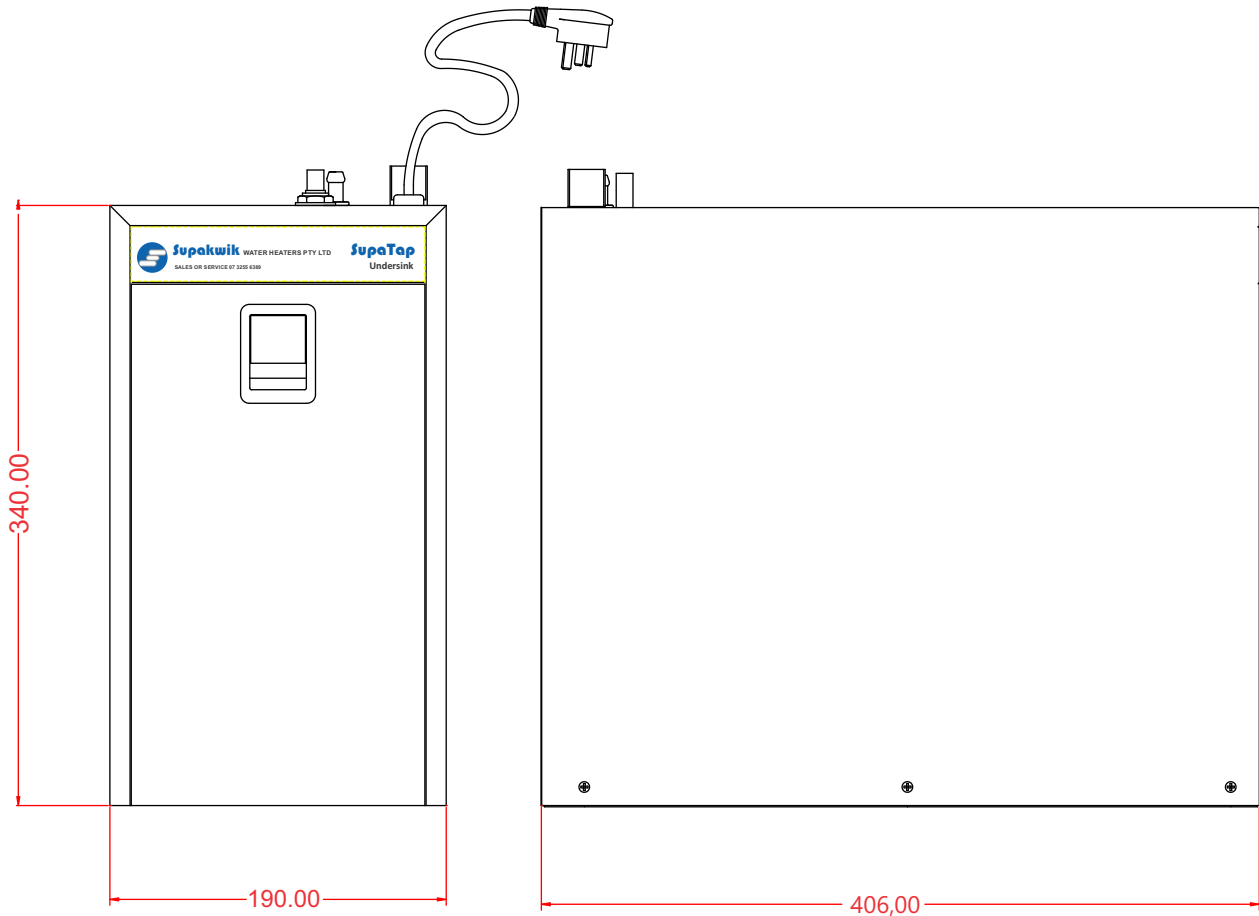
**Supatap - Motion Series**  
Underbench - 100 Cup - Filtered

Product Code

**BF100**

Page N° **04**

**BF SERIES**



**Technical Specifications**

Nominal Capacity:	2,5 Litres
Recovery Rating:	150 Cups per hour.
Supply Rating:	10 Amps @ 240 Volt.
Service Rating:	100 - 1000 kPa.
Weight:	11,5 Kg.(dry)

Cup Size = 167 ml

**SUPAKWIK** water heaters pty ltd



supakwik.com



# Supatap - Motion Series

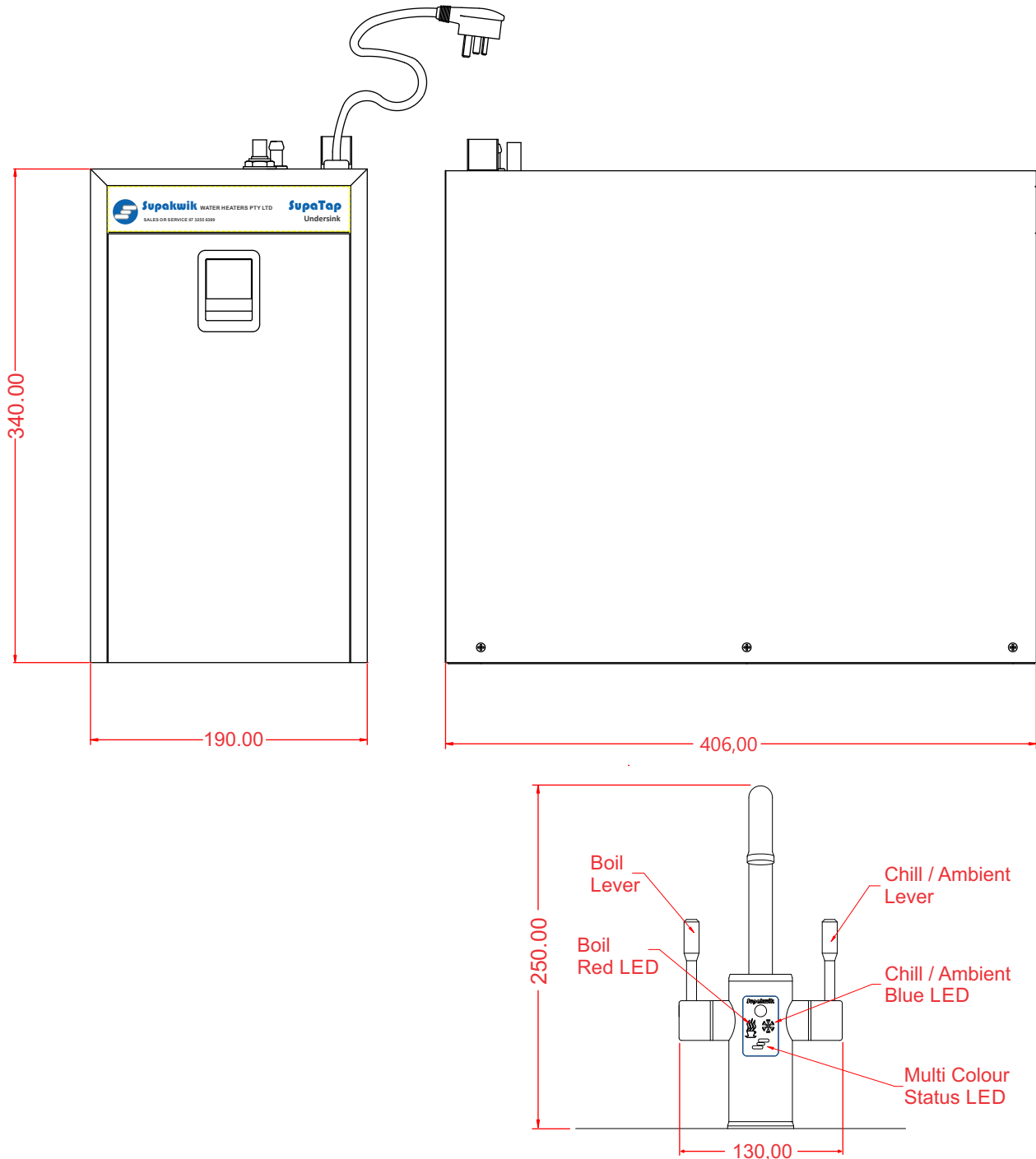
## Underbench - 120 Cup - Filtered

Product Code

# BF120

Page N° 05

BF SERIES



### Technical Specifications

Nominal Capacity:	3,0 Litres
Recovery Rating:	150 Cups per hour.
Supply Rating:	10 Amps @ 240 Volt.
Service Rating:	100 -1000 kPa.
Weight:	12,0 Kg.(dry)

Cup Size = 167 ml

**SUPAKWIK** water heaters pty ltd



supakwik.com



# Supatap - Motion Series

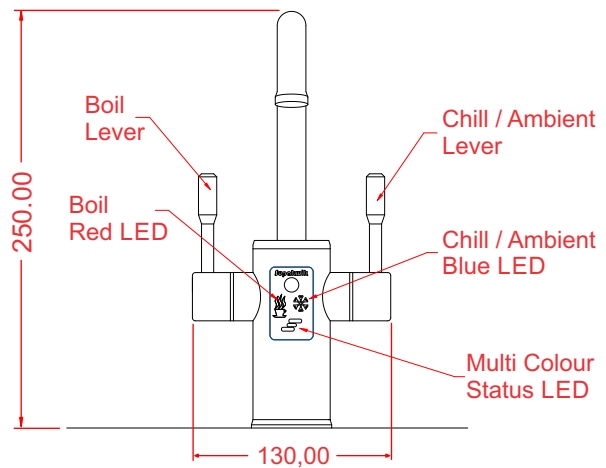
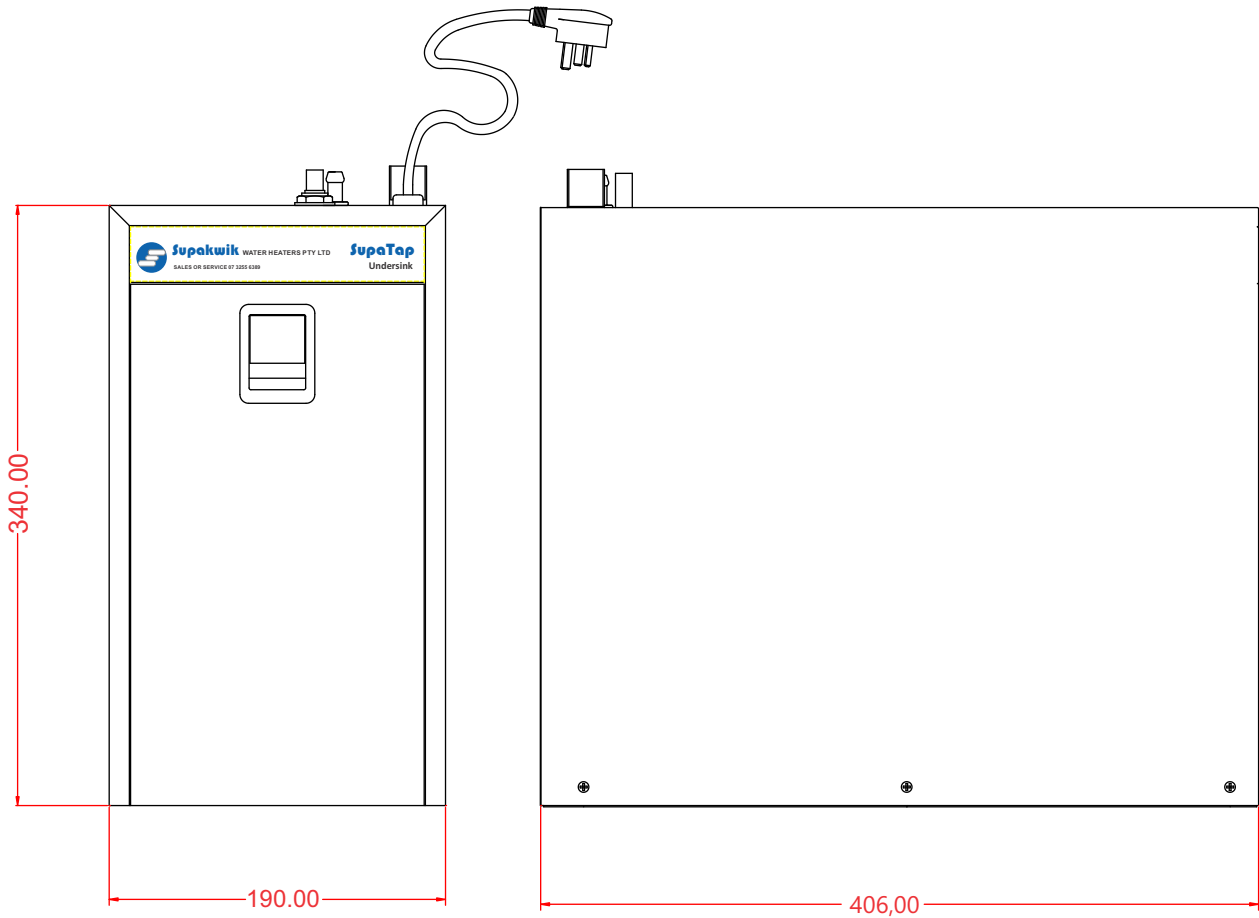
## Underbench - 170 Cup - Filtered

Product Code

# BF170

Page N° 06

BF SERIES



### Technical Specifications

Nominal Capacity:	4,0 Litres
Recovery Rating:	150 Cups per hour.
Supply Rating:	10 Amps @ 240 Volt.
Service Rating:	100 - 1000 kPa.
Weight:	12,5 Kg.(dry)

Cup Size = 167 ml

**SUPAKWIK** water heaters pty ltd



supakwik.com



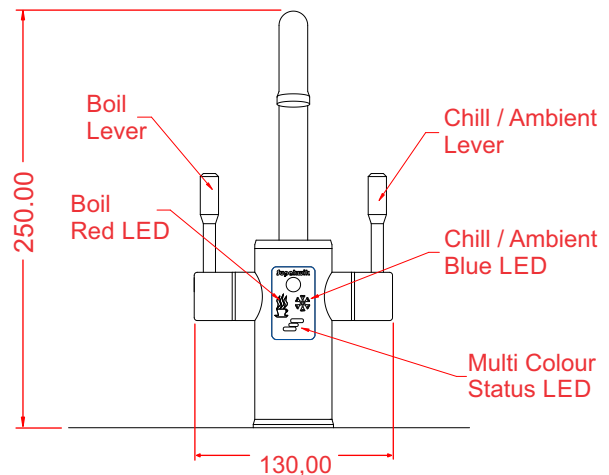
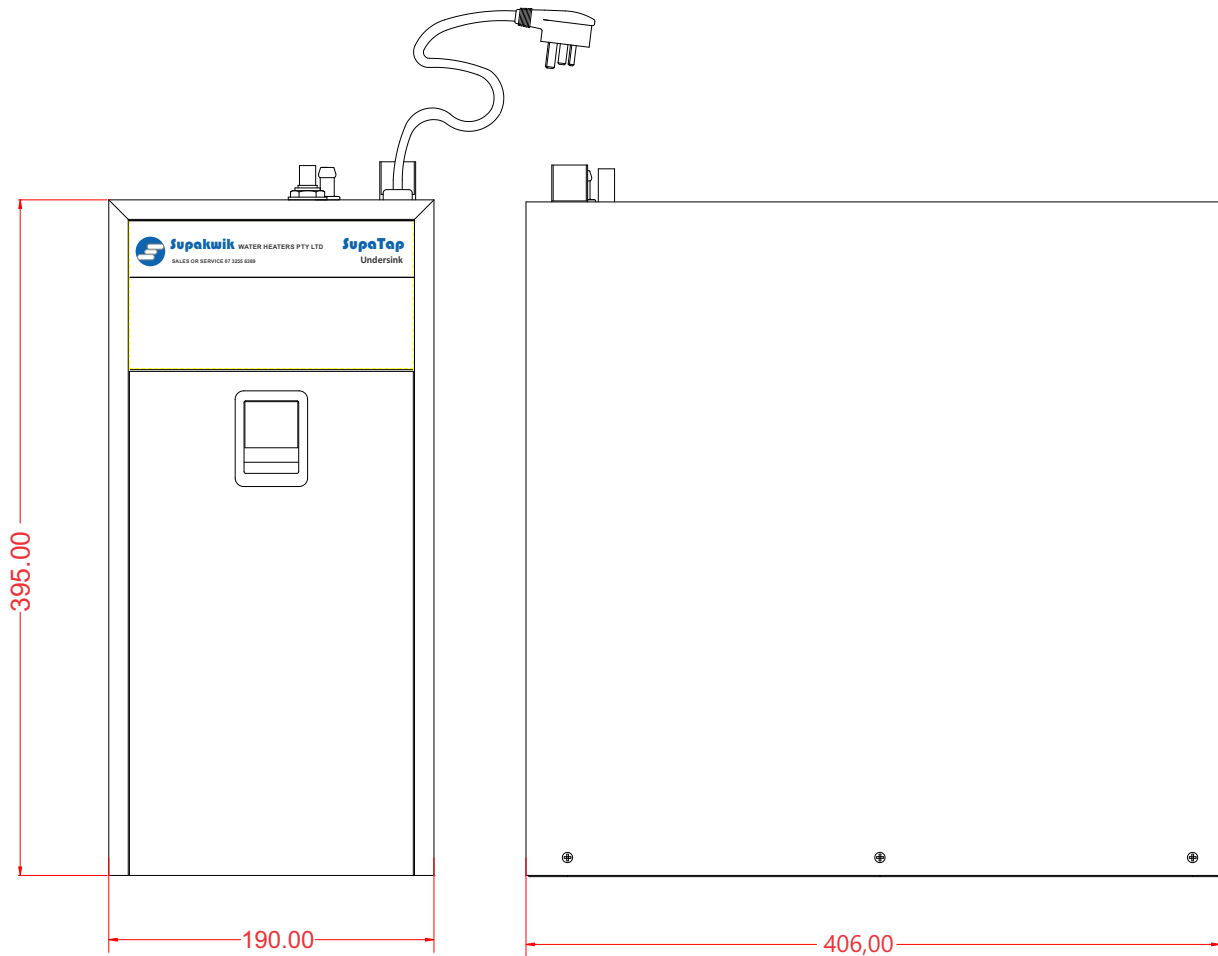
# Supatap - Motion Series

## Underbench - 200 Cup - Filtered

Product Code  
**BF200**

Page N° 07

**BF SERIES**



### Technical Specifications

Nominal Capacity:	6,0 Litres
Recovery Rating:	150 Cups per hour.
Supply Rating:	10 Amps @ 240 Volt.
Service Rating:	100 -1000 kPa.
Weight:	13,0 Kg.(dry)

Cup Size = 167 ml

**SUPAKWIK** water heaters pty ltd



[supakwik.com](http://supakwik.com)



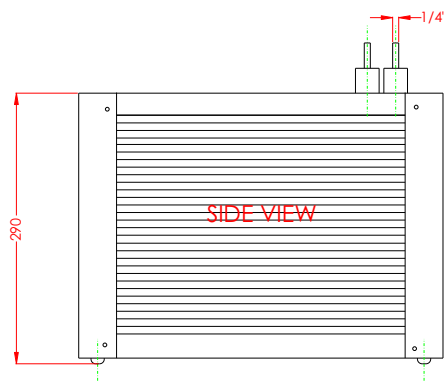
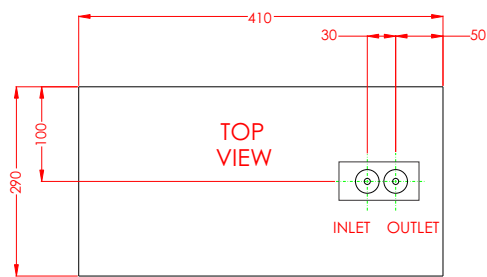
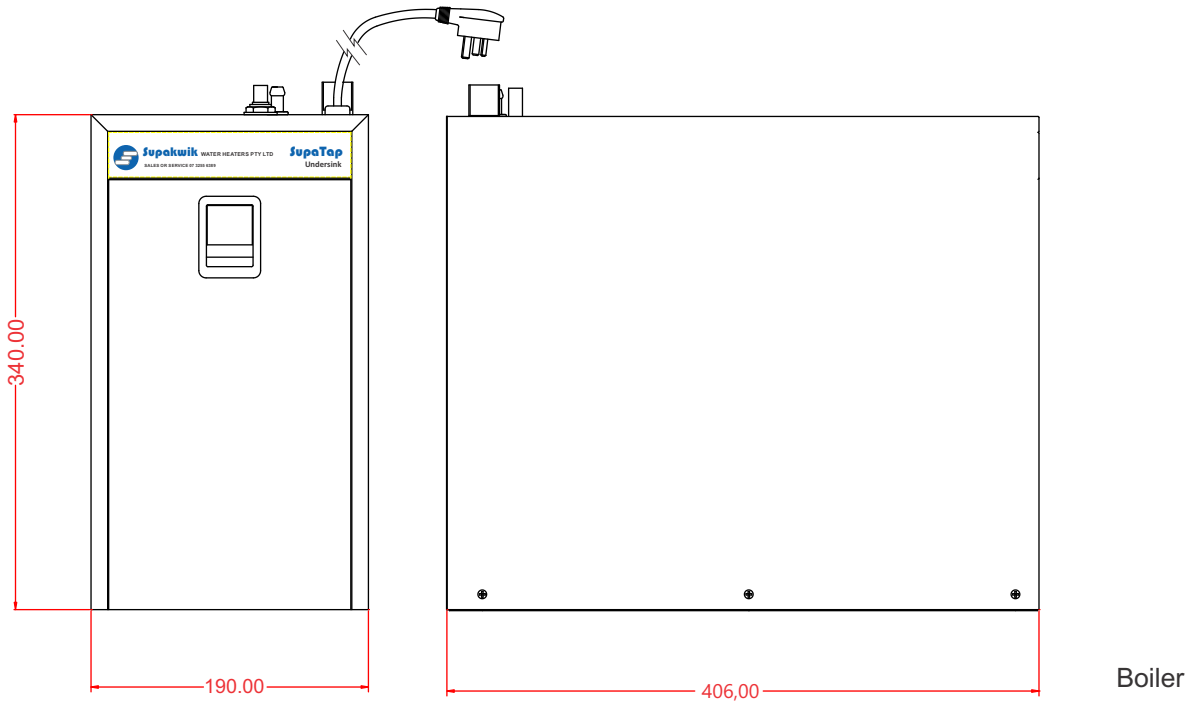
# Supatap - Motion Series

Underbench - 100 Cup Boil - 6 L Chilled

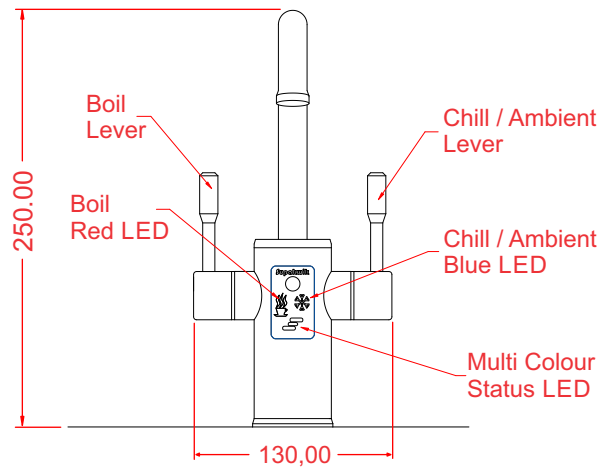
Product Code  
**BC100/60**

Page N° 08

**BC SERIES**



Chiller



Combination Tap

## Technical Specifications

### Heater:

Nominal Capacity: 2,5 Litres  
 Recovery Rating: 150 Cups per hour.  
 Supply Rating: 10 Amps @ 240 Volt.  
 Service Rating: 100 -1000 kPa.  
 Weight: 11,5 Kg.(dry)

### Chiller:

1,9 Litres  
 6 Litres per hour.  
 0,75 Amps @ 240 Volt.  
 100 -1000 kPa.  
 12,5 Kg.(dry)

Cup Size = 167 ml

**SUPAKWIK** water heaters pty ltd



supakwik.com





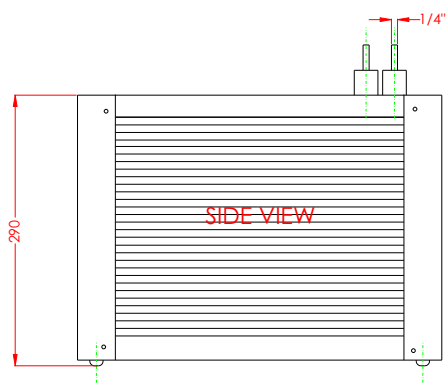
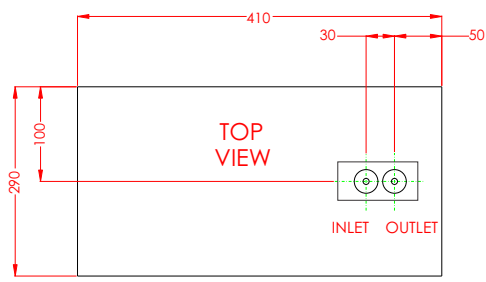
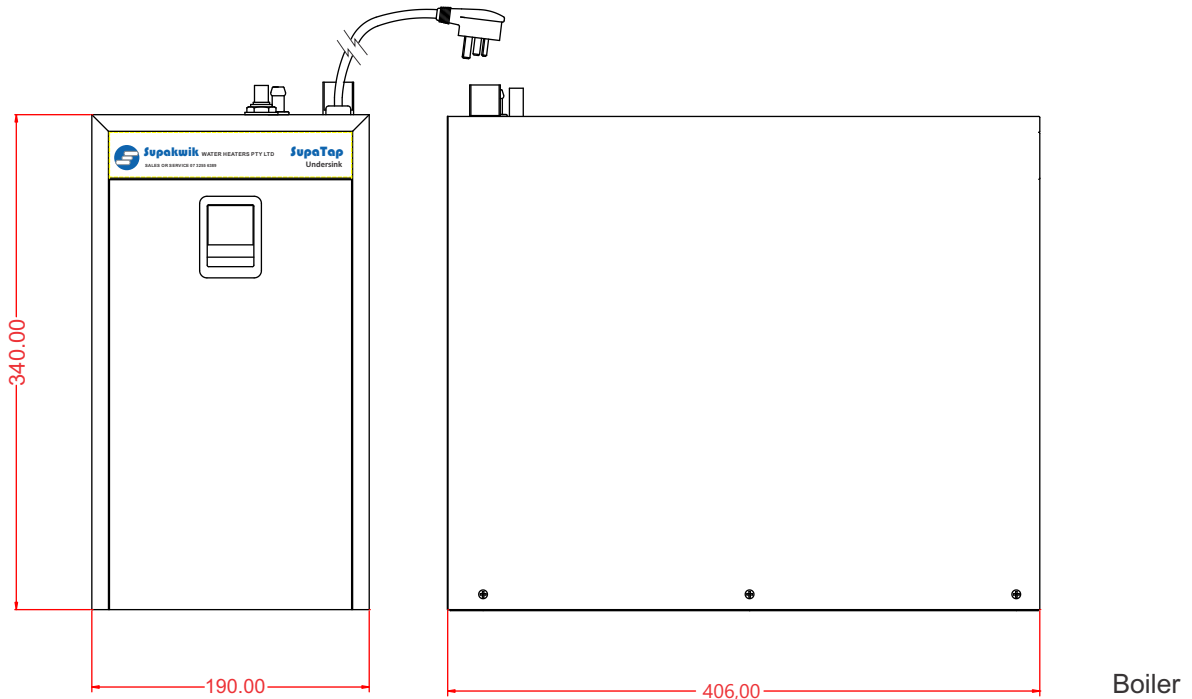
# Supatap - Motion Series

Underbench - 120 Cup Boil - 6 L Chilled

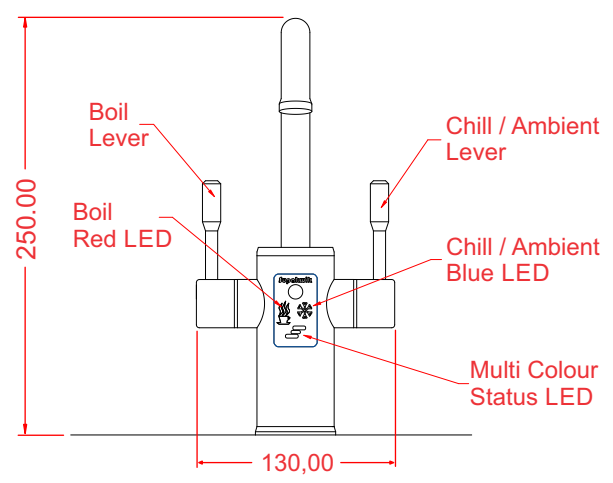
Product Code  
**BC120/60**

Page N° 09

**BC SERIES**



Chiller



Combination Tap

### Technical Specifications

**Heater:**

Nominal Capacity: 3,0 Litres  
 Recovery Rating: 150 Cups per hour.  
 Supply Rating: 10 Amps @ 240 Volt.  
 Service Rating: 100 -1000 kPa.  
 Weight: 12,0 Kg.(dry)

**Chiller:**

1,9 Litres  
 6 Litres per hour.  
 0,75 Amps @ 240 Volt.  
 100 -1000 kPa.  
 12,5 Kg.(dry)

Cup Size = 167 ml

**SUPAKWIK** water heaters pty Ltd



supakwik.com



# Supatap - Motion Series

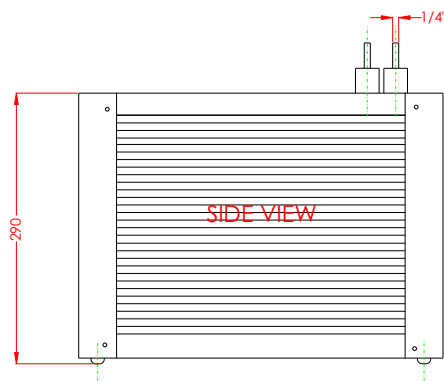
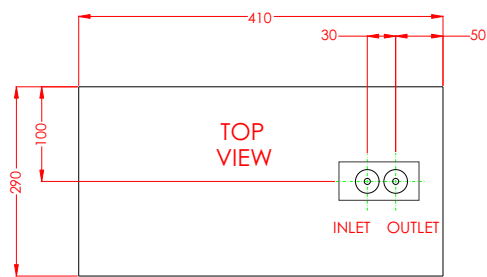
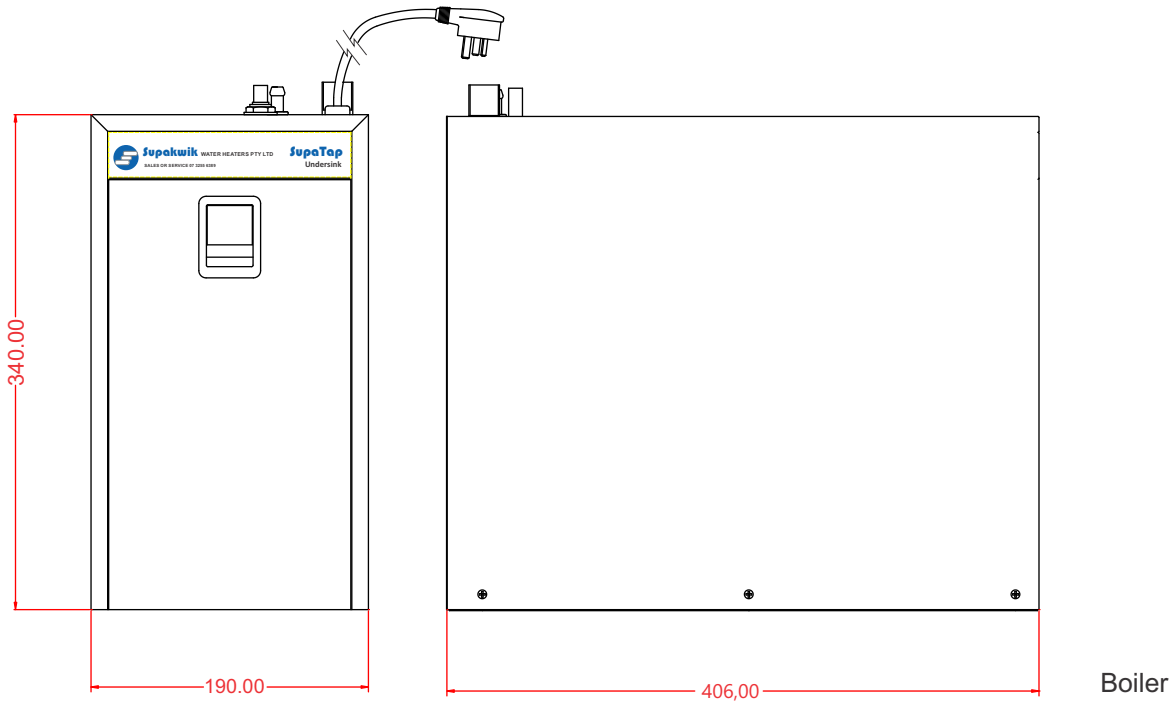
Underbench - 170 Cup Boil - 6 L Chilled

Product Code

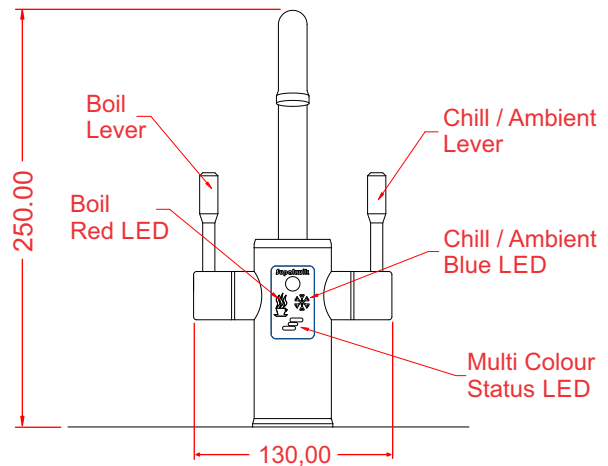
**BC170/60**

Page N° 10

**BC SERIES**



Chiller



Combination Tap

## Technical Specifications

### Heater:

Nominal Capacity: 4,0 Litres  
 Recovery Rating: 150 Cups per hour.  
 Supply Rating: 10 Amps @ 240 Volt.  
 Service Rating: 100 -1000 kPa.  
 Weight: 12,5 Kg.(dry)

### Chiller:

1,9 Litres  
 6 Litres per hour.  
 0,75 Amps @ 240 Volt.  
 100 -1000 kPa.  
 12,5 Kg.(dry)

Cup Size = 167 ml

**SUPAKWIK** water heaters pty ltd



supakwik.com



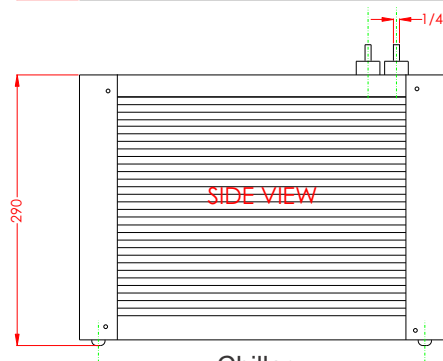
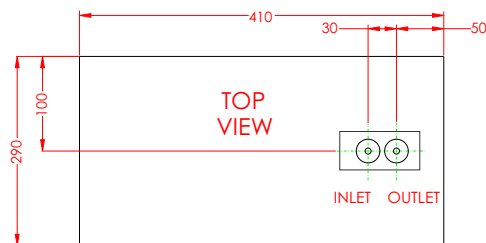
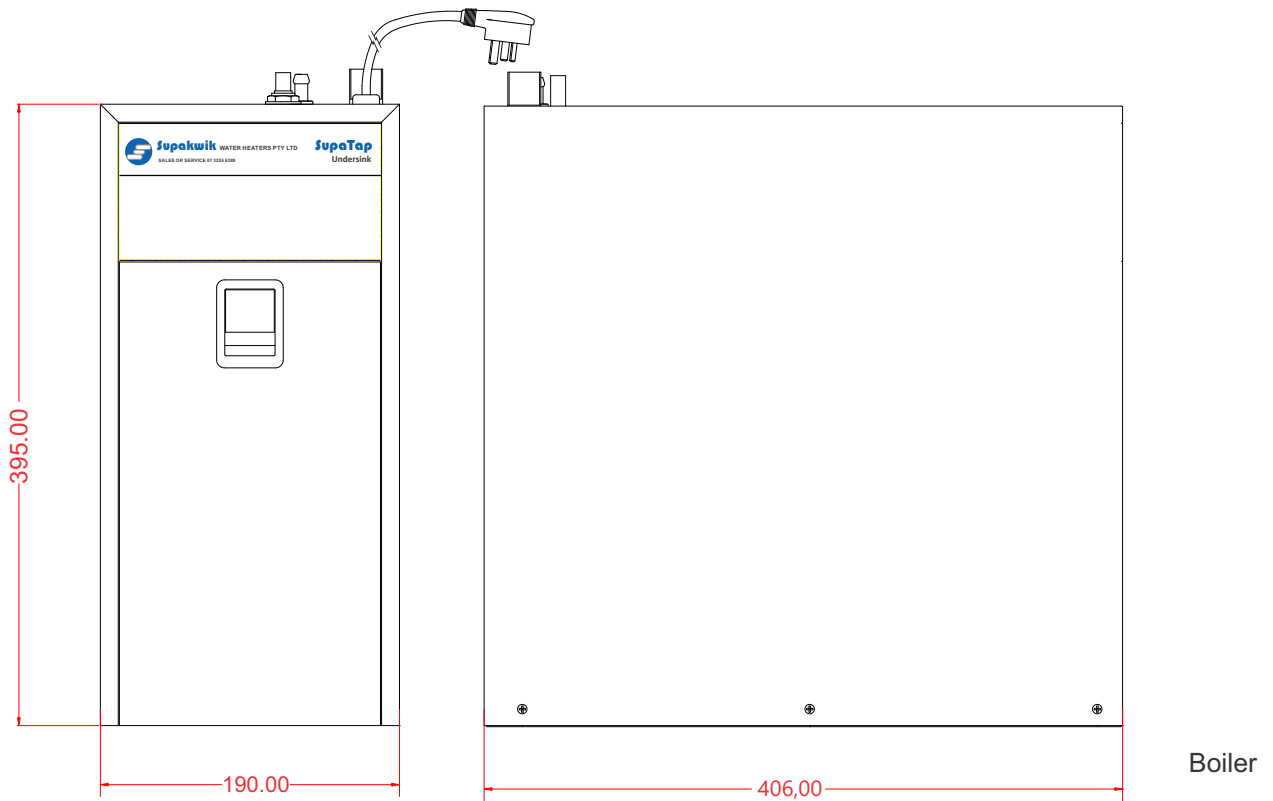
# Supatap - Motion Series

Underbench - 200 Cup Boil - 6 L Chilled

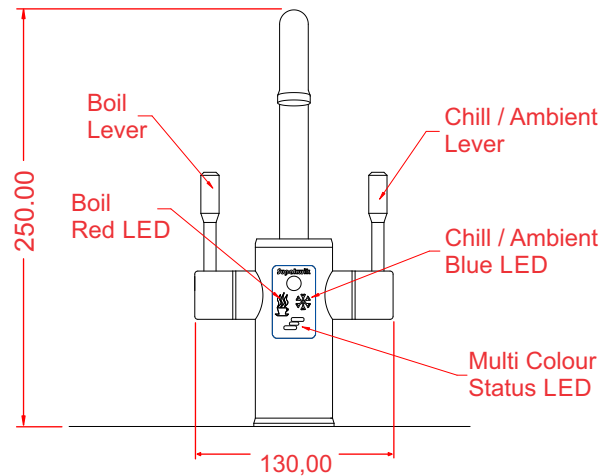
Product Code  
**BC200/60**

Page N° 11

**BC SERIES**



Chiller



**Heater:**

Nominal Capacity: 6,0 Litres  
 Recovery Rating: 150 Cups per hour.  
 Supply Rating: 10 Amps @ 240 Volt.  
 Service Rating: 100 -1000 kPa.  
 Weight: 13,0 Kg.(dry)

**Chiller:**

1,9 Litres  
 6 Litres per hour.  
 0,75 Amps @ 240 Volt.  
 100 -1000 kPa.  
 12,5 Kg.(dry)

Cup Size = 167 ml

**SUPAKWIK** water heaters pty Ltd



supakwik.com

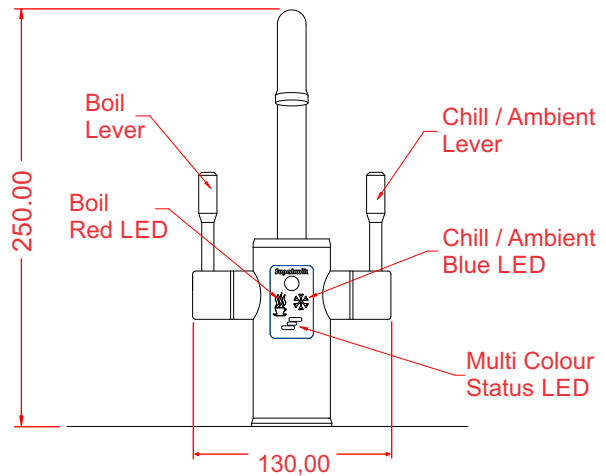
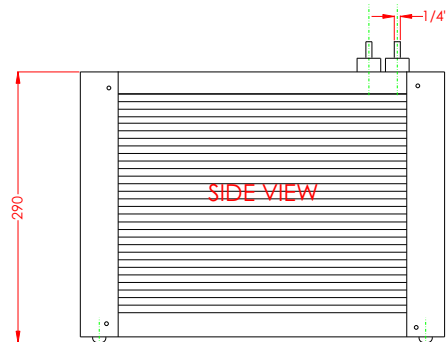
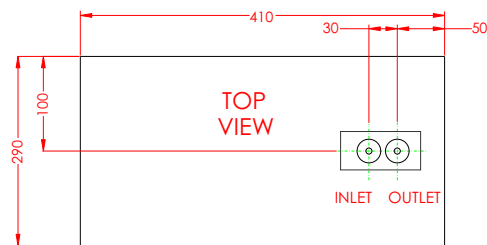
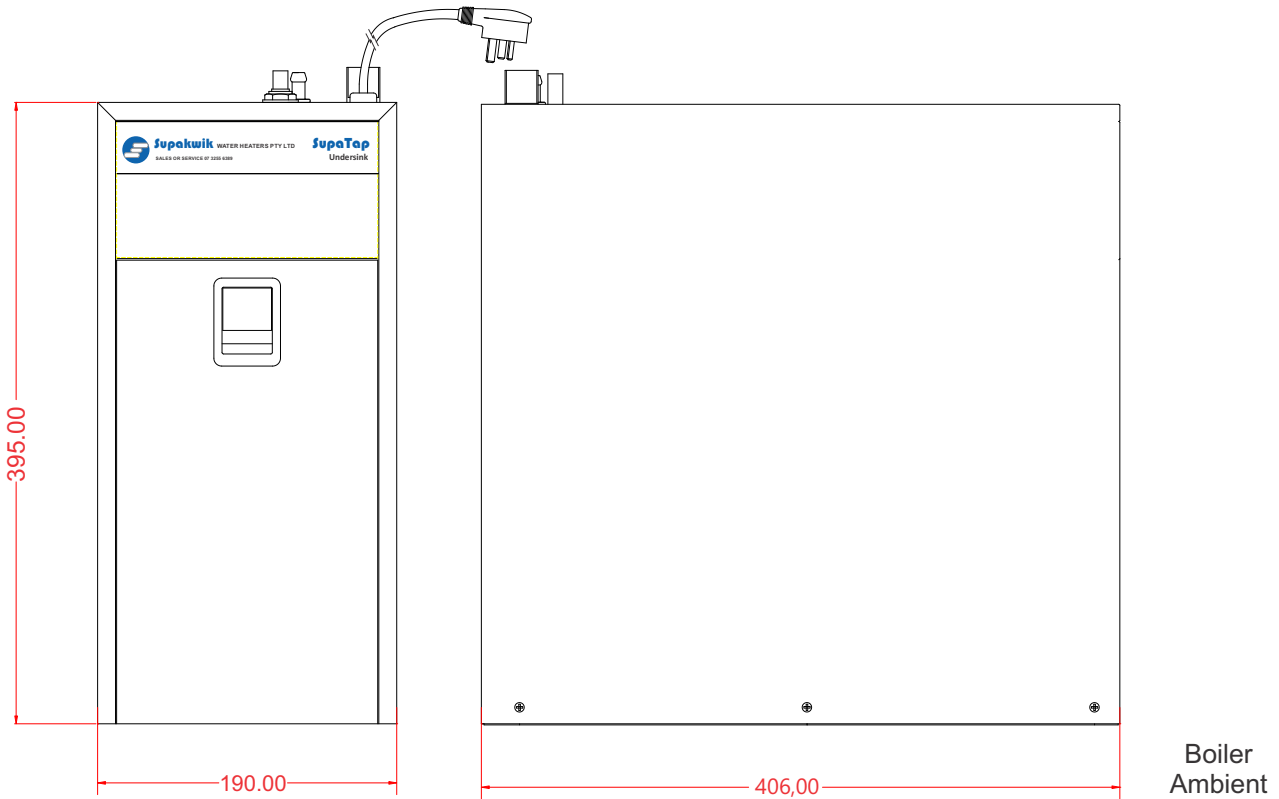


**Supatap - Motion Series**  
Underbench - 170 Cup Boil - 6 L Chilled  
Unlimited Ambient

Product Code  
**BCF170/60**

Page N° 12

**BCF SERIES**



**Heater:**

Nominal Capacity: 6,0 Litres  
Recovery Rating: 150 Cups per hour.  
Supply Rating: 10 Amps @ 240 Volt.  
Service Rating: 100 -1000 kPa.  
Weight: 12,5 Kg.(dry)

**Chiller:**

1,9 Litres  
6 Litres per hour.  
0,75 Amps @ 240 Volt.  
100 -1000 kPa.  
12,5 Kg.(dry)

Cup Size = 167 ml

**SUPAKWIK** water heaters pty ltd



supakwik.com

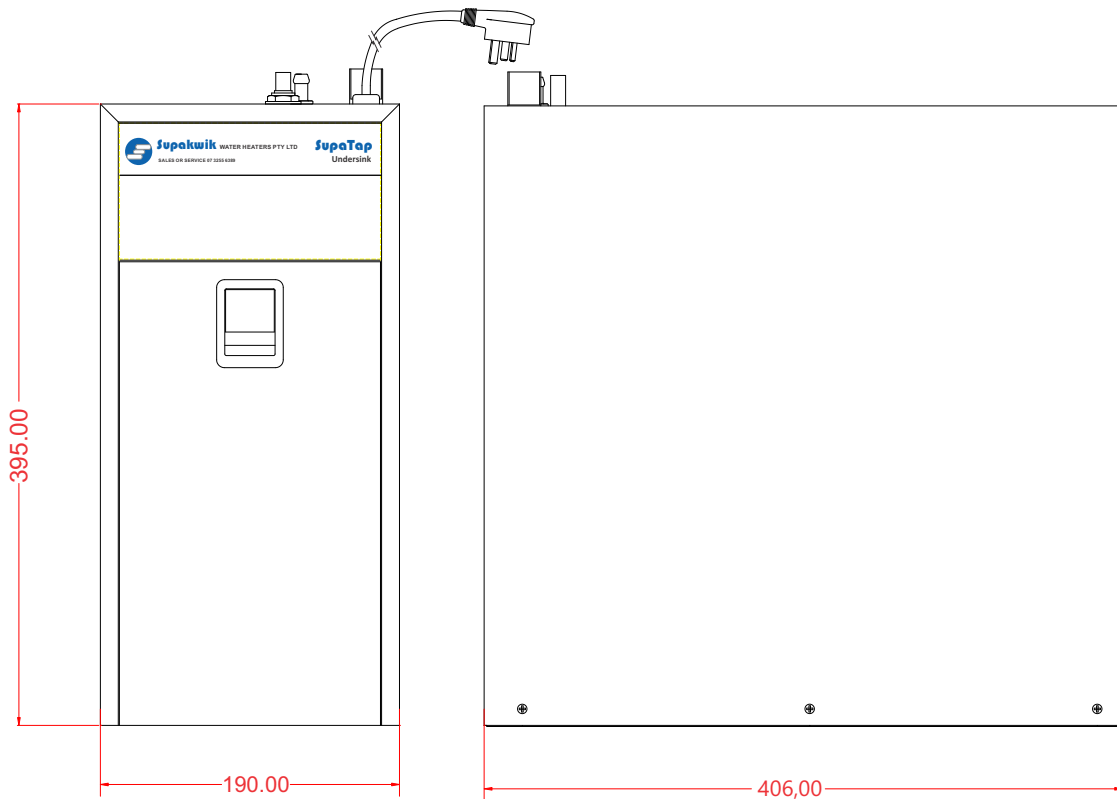


**Supatap - Motion Series**  
**Underbench - 200 Cup Boil - 6 L Chilled**  
**Unlimited Ambient**

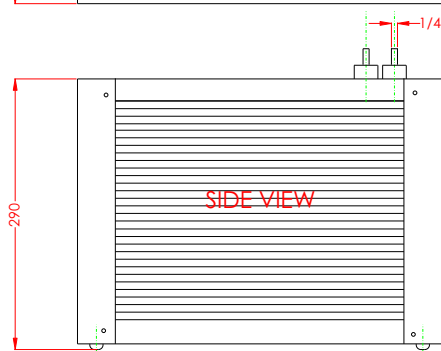
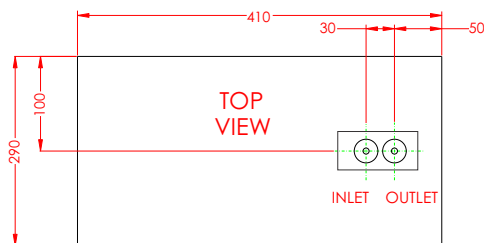
Product Code  
**BCF200/60**

Page N° 13

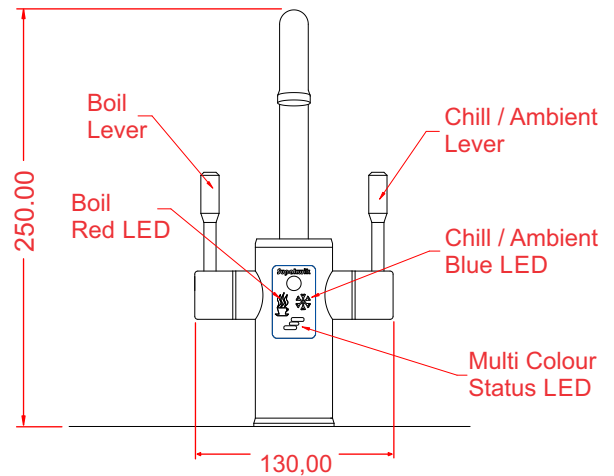
**BCF SERIES**



Boiler Ambient



Chiller



**Heater:**

Nominal Capacity: 6,0 Litres  
 Recovery Rating: 150 Cups per hour.  
 Supply Rating: 10 Amps @ 240 Volt.  
 Service Rating: 100 -1000 kPa.  
 Weight: 13,0 Kg.(dry)

**Chiller:**

1,9 Litres  
 6 Litres per hour.  
 0,75 Amps @ 240 Volt.  
 100 -1000 kPa.  
 12,5 Kg.(dry)

Cup Size = 167 ml

**SUPAKWIK** water heaters pty ltd



supakwik.com



# SUPABOIL - MOTION SERIES

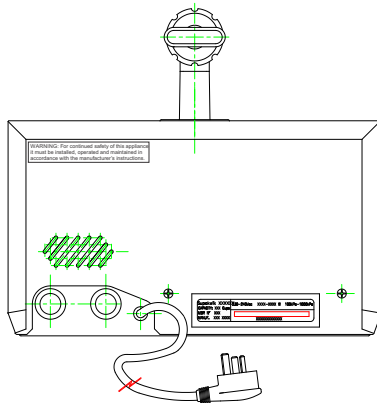
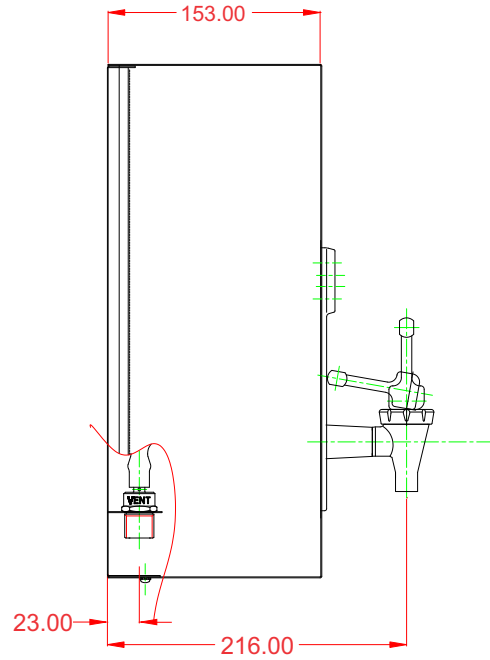
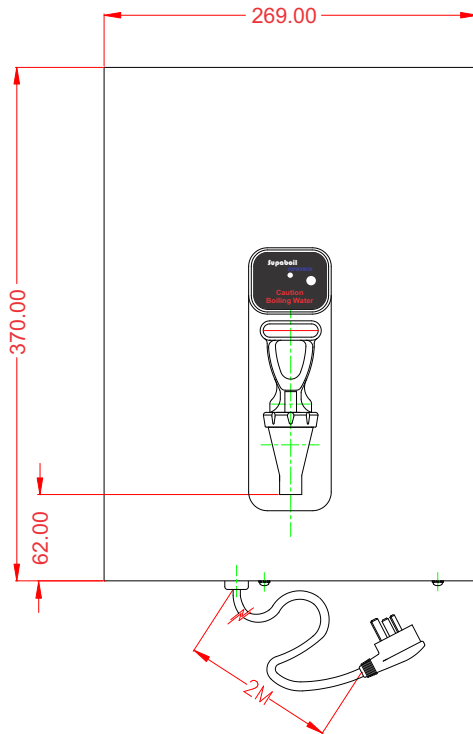
## 20 Cup, White - Unfiltered

Product Code

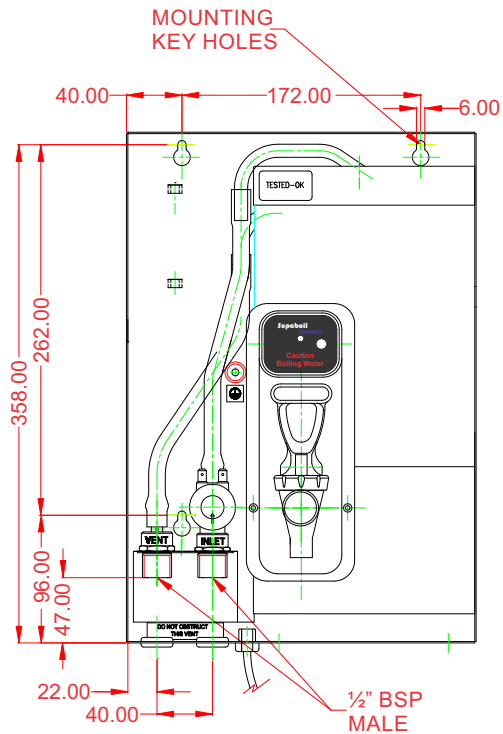
# MA020

Page N° 14

M SERIES



Controls & Electrical Circuitry removed for clarity



### Technical Specifications

Nominal Capacity:	3 Litres
Recovery Rating:	150 Cups per hour.
Supply Rating:	10 Amps @ 240 Volt.
Service Rating:	20-1000 kPa.
Weight:	5,5 Kg.(dry) 8,6 Kg.(full)

Cup Size = 167 ml

**SUPAKWIK** water heaters pty ltd



supakwik.com



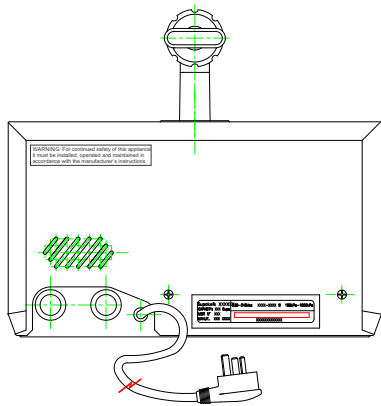
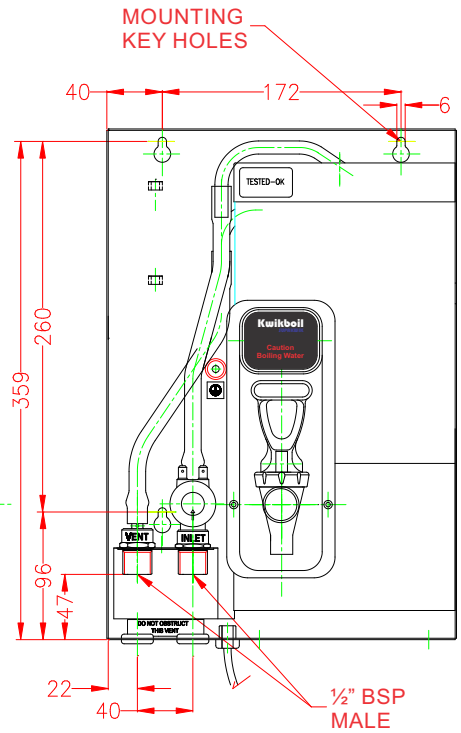
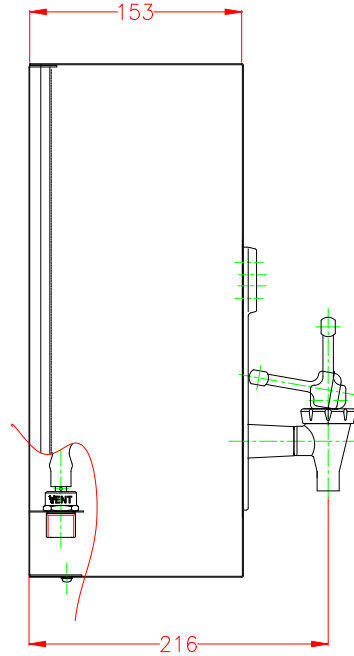
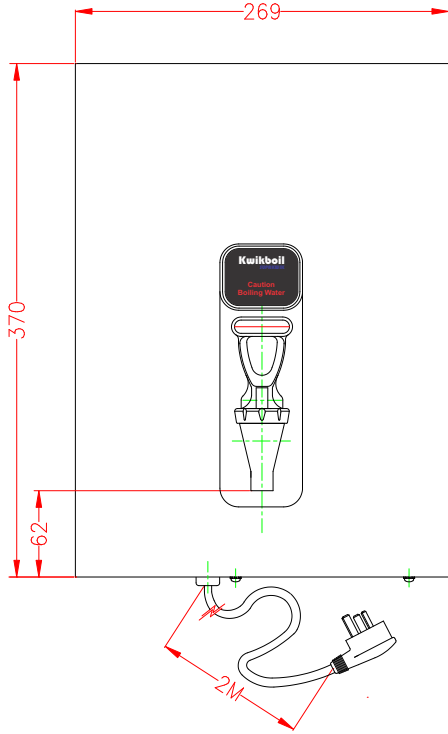
# SUPABOIL - MOTION SERIES

## 20 Cup, White - Filtered

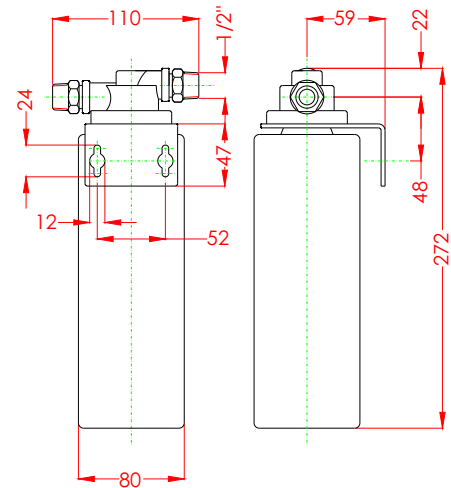
Product Code

# MA020F

Page N° 15



Controls & Electrical Circuitry removed for clarity



600 kPa Pressure Limiting Valve must be installed to safe guard filter.

M SERIES

### Technical Specifications

Nominal Capacity:	3 Litres
Recovery Rating:	150 Cups per hour.
Supply Rating:	10 Amps @ 240 Volt.
Service Rating:	20-1000 kPa.
Weight:	5,5 Kg.(dry) 8,6 Kg.(full)

Cup Size = 167 ml

**SUPAKWIK** water heaters pty Ltd



supakwik.com



# SUPABOIL - MOTION SERIES

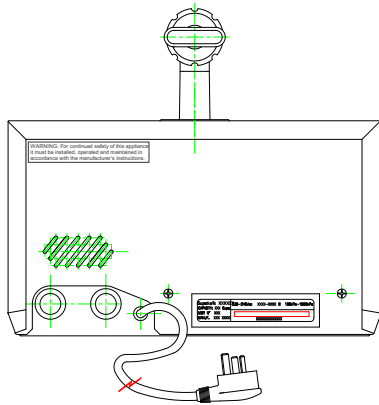
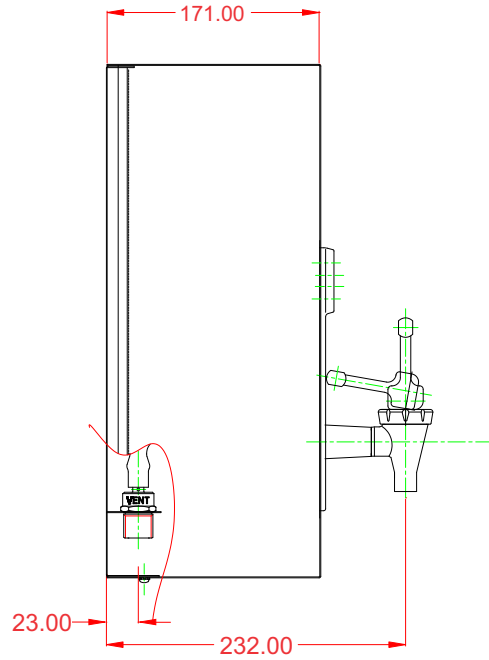
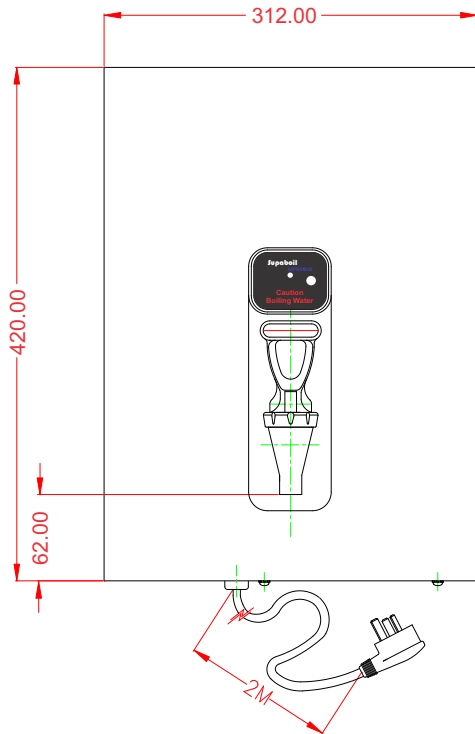
## 38 Cup, White - Unfiltered

Product Code

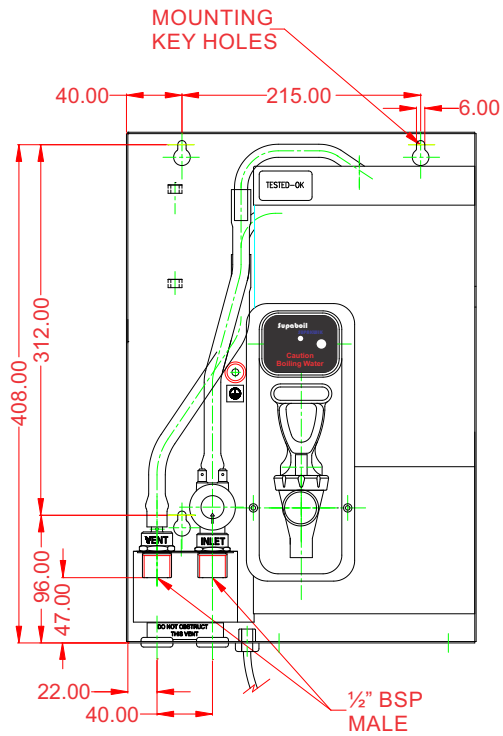
# MA038

Page N° 16

M SERIES



Controls & Electrical Circuitry removed for clarity



### Technical Specifications

Nominal Capacity:	6 Litres
Recovery Rating:	150 Cups per hour.
Supply Rating:	10 Amps @ 240 Volt.
Service Rating:	20-1000 kPa.
Weight:	7,2 Kg.(dry) 14,8 Kg.(full)

Cup Size = 167 ml

**SUPAKWIK** water heaters pty ltd



supakwik.com





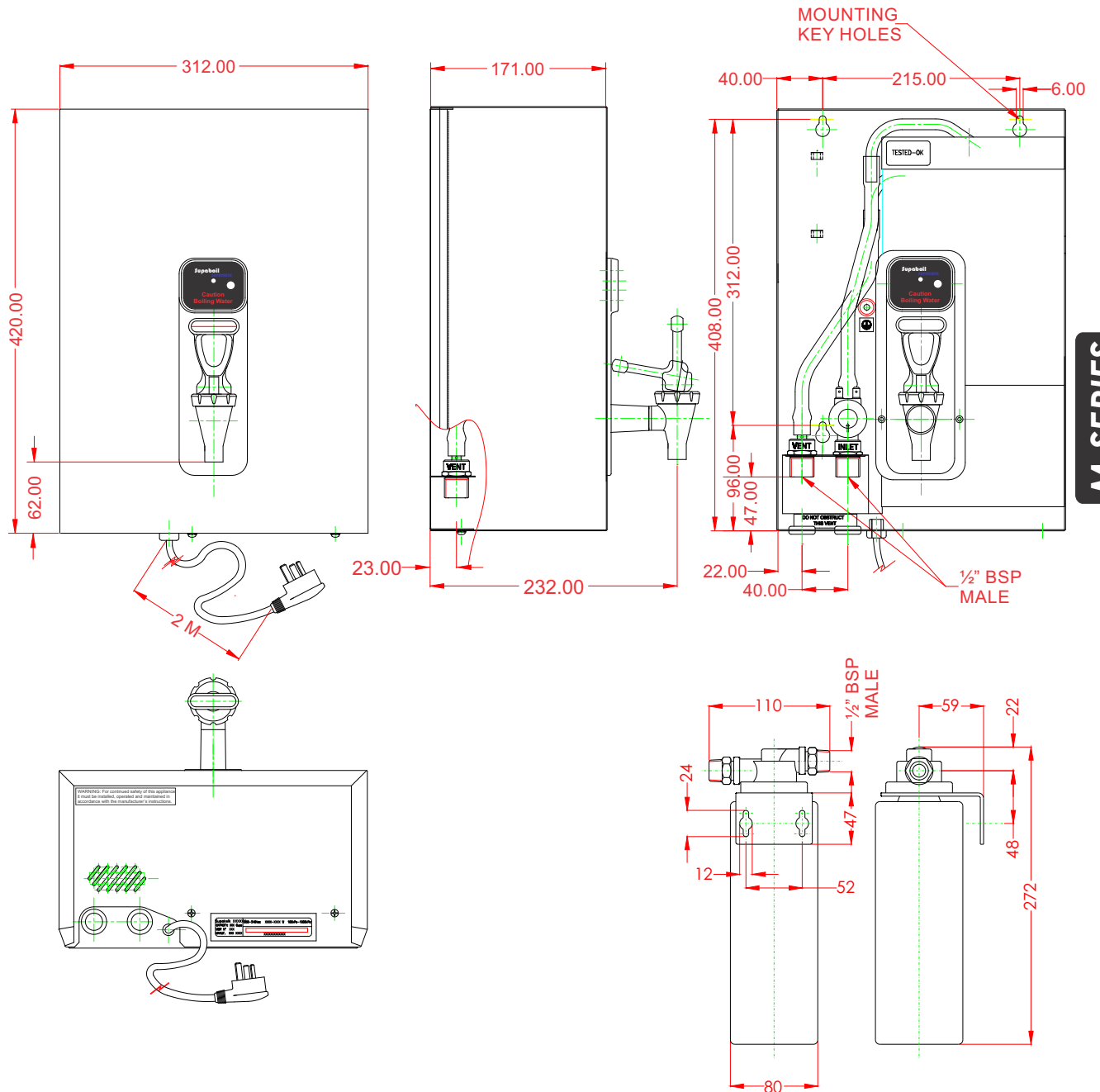
# SUPABOIL - MOTION SERIES

## 38 Cup, White - Filtered

Product Code

# MA038F

Page N° 17



M SERIES

Controls & Electrical Circuitry removed for clarity



600 kPa Pressure Limiting Valve must be installed to safe guard filter.

### Technical Specifications

Nominal Capacity:	6 Litres
Recovery Rating:	150 Cups per hour.
Supply Rating:	10 Amps @ 240 Volt.
Service Rating:	20-1000 kPa.
Weight:	7,2 Kg.(dry) 14,8 Kg.(full)

Cup Size = 167 ml

**SUPAKWIK** water heaters pty Ltd



supakwik.com



# SUPABOIL - MOTION SERIES

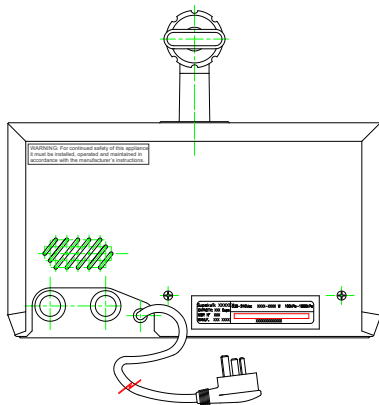
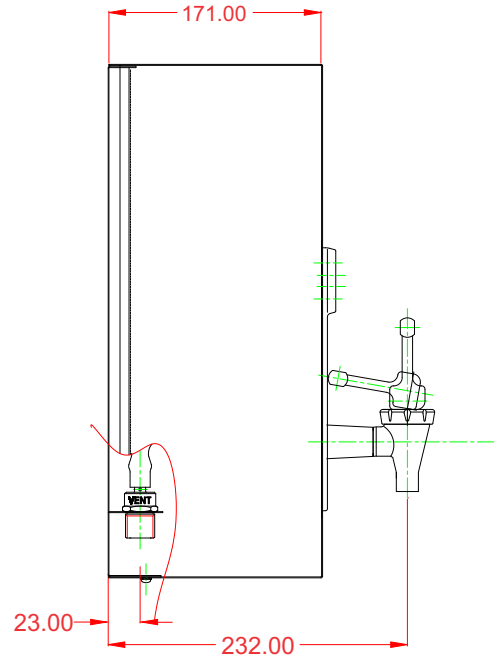
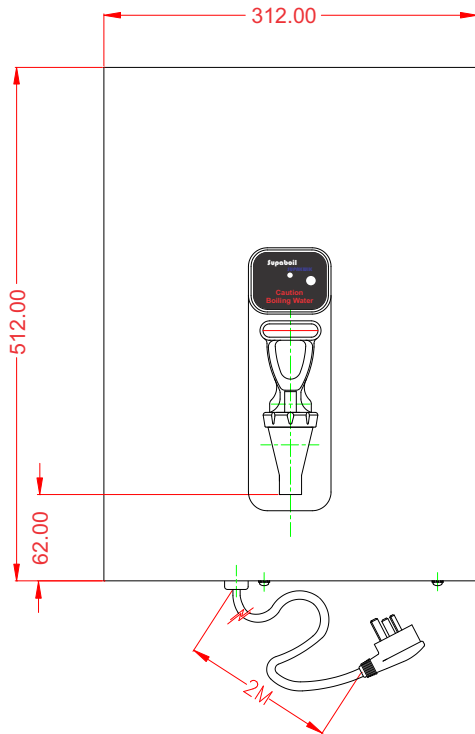
## 50 Cup, White - Unfiltered

Product Code

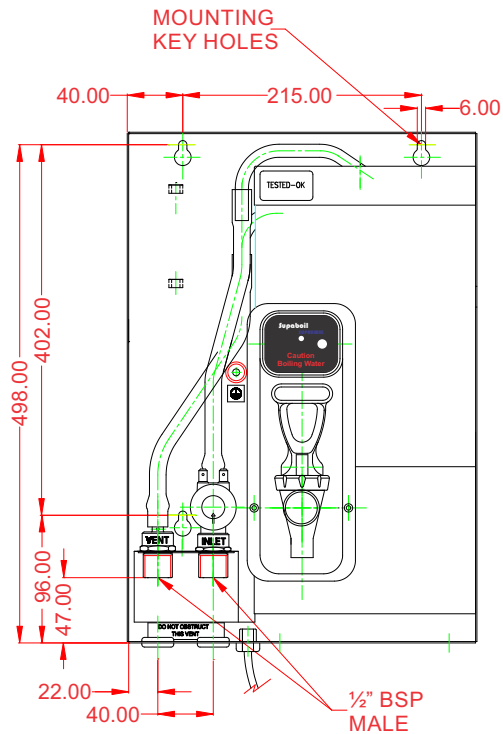
# MA050

Page N° 18

M SERIES



Controls & Electrical Circuitry removed for clarity



### Technical Specifications

Nominal Capacity:	8 Litres
Recovery Rating:	150 Cups per hour.
Supply Rating:	10 Amps @ 240 Volt.
Service Rating:	20-1000 kPa.
Weight:	8,1 Kg.(dry) 17,2 Kg.(full)

Cup Size = 167 ml

**SUPAKWIK** water heaters pty ltd



supakwik.com



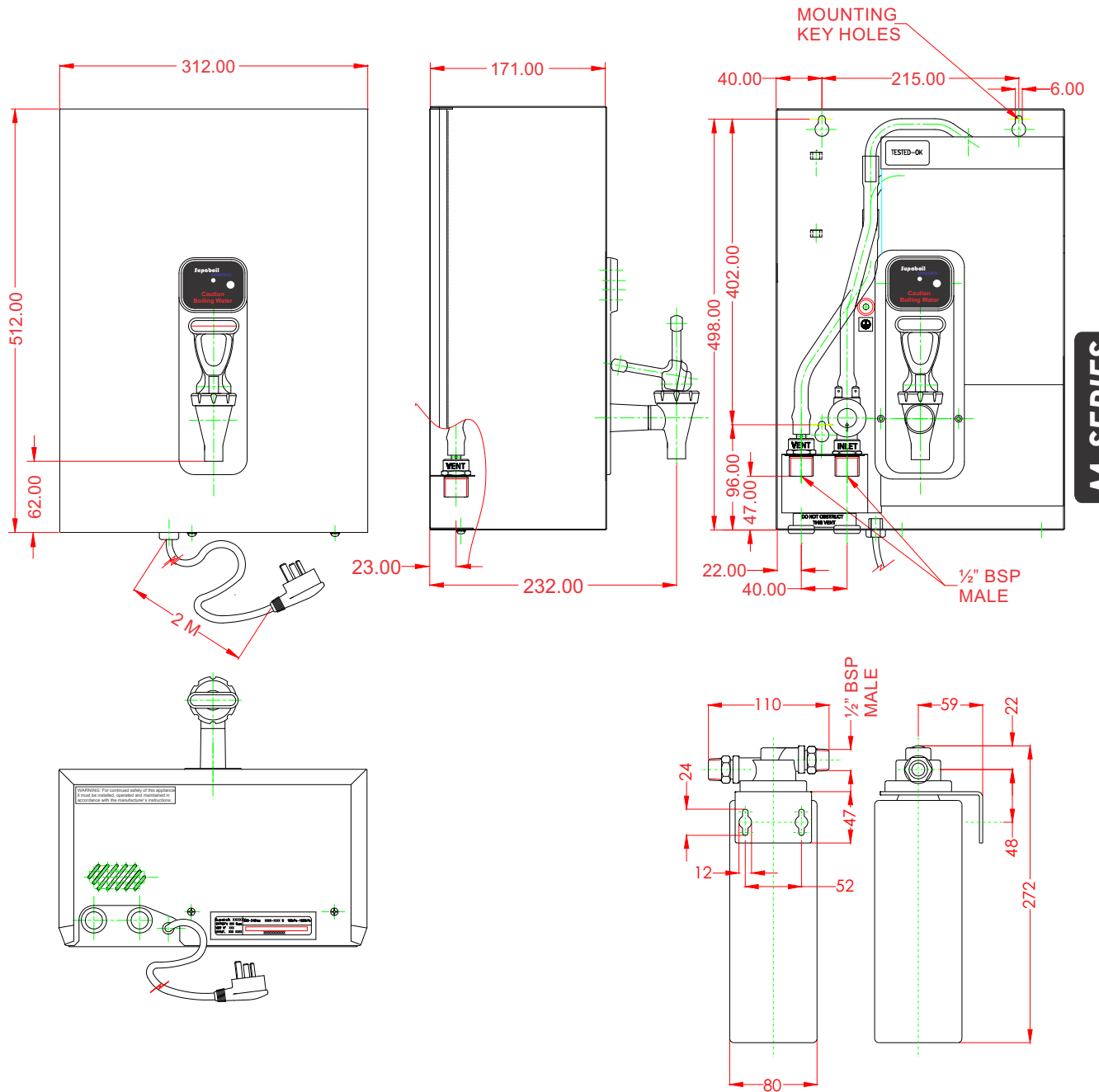
# SUPABOIL - MOTION SERIES

## 50 Cup, White - Filtered

Product Code

# MA050F

Page N° 19



M SERIES



600 kPa Pressure Limiting Valve must be installed to safe guard filter.

### Technical Specifications

Nominal Capacity:	8 Litres
Recovery Rating:	150 Cups per hour.
Supply Rating:	10 Amps @ 240 Volt.
Service Rating:	20-1000 kPa.
Weight:	8,1 Kg.(dry) 17,2 Kg.(full)

Cup Size = 167 ml

**SUPAKWIK** water heaters pty Ltd



supakwik.com



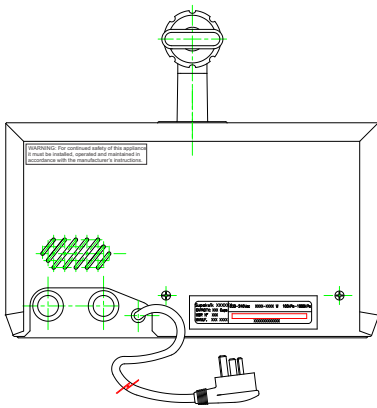
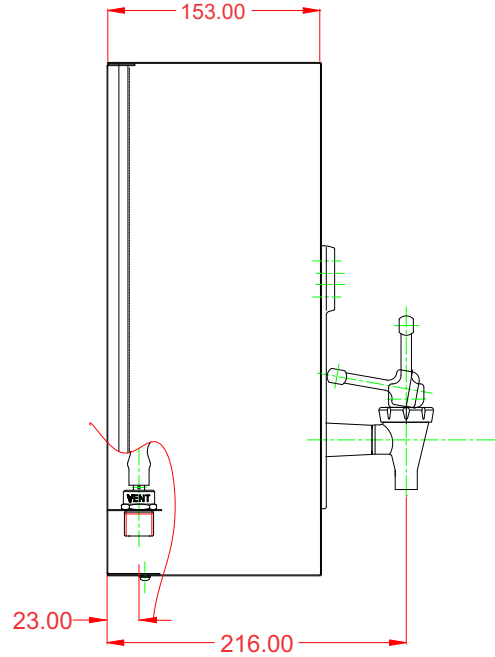
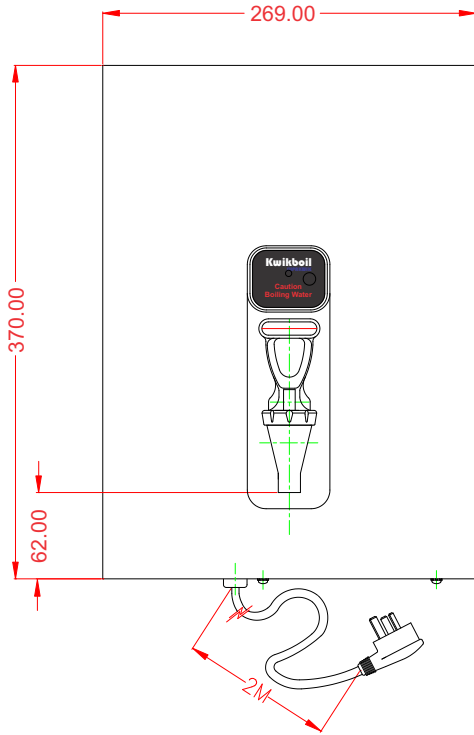
# KWIKBOIL - STANDARD SERIES

## 20 Cup, White - Unfiltered

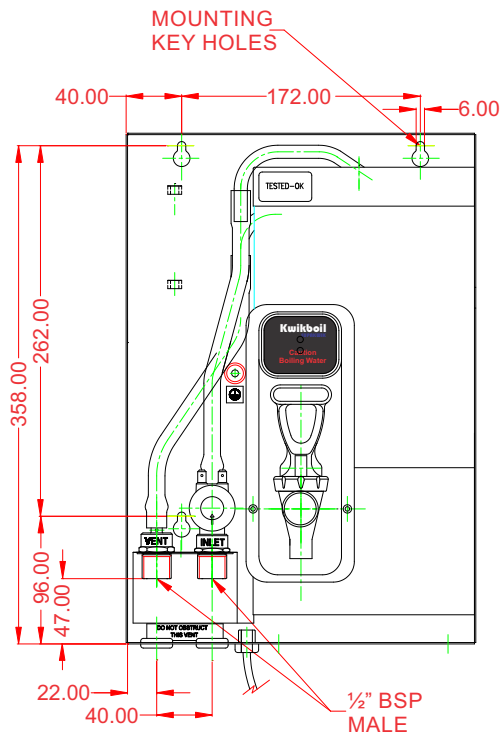
Product Code

# SA020

Page N° 20



Controls & Electrical Circuitry removed for clarity



S SERIES

### Technical Specifications

Nominal Capacity:	3 Litres
Recovery Rating:	150 Cups per hour.
Supply Rating:	10 Amps @ 240 Volt.
Service Rating:	20-1000 kPa.
Weight:	5,5 Kg.(dry) 8,6 Kg.(full)

Cup Size = 167 ml

**SUPAKWIK** water heaters pty ltd



supakwik.com



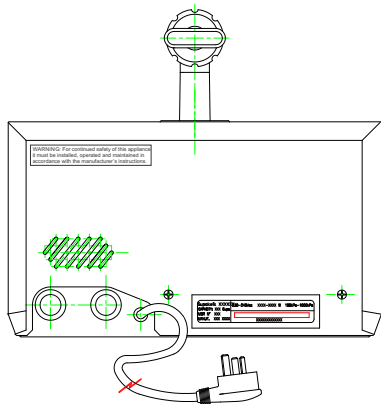
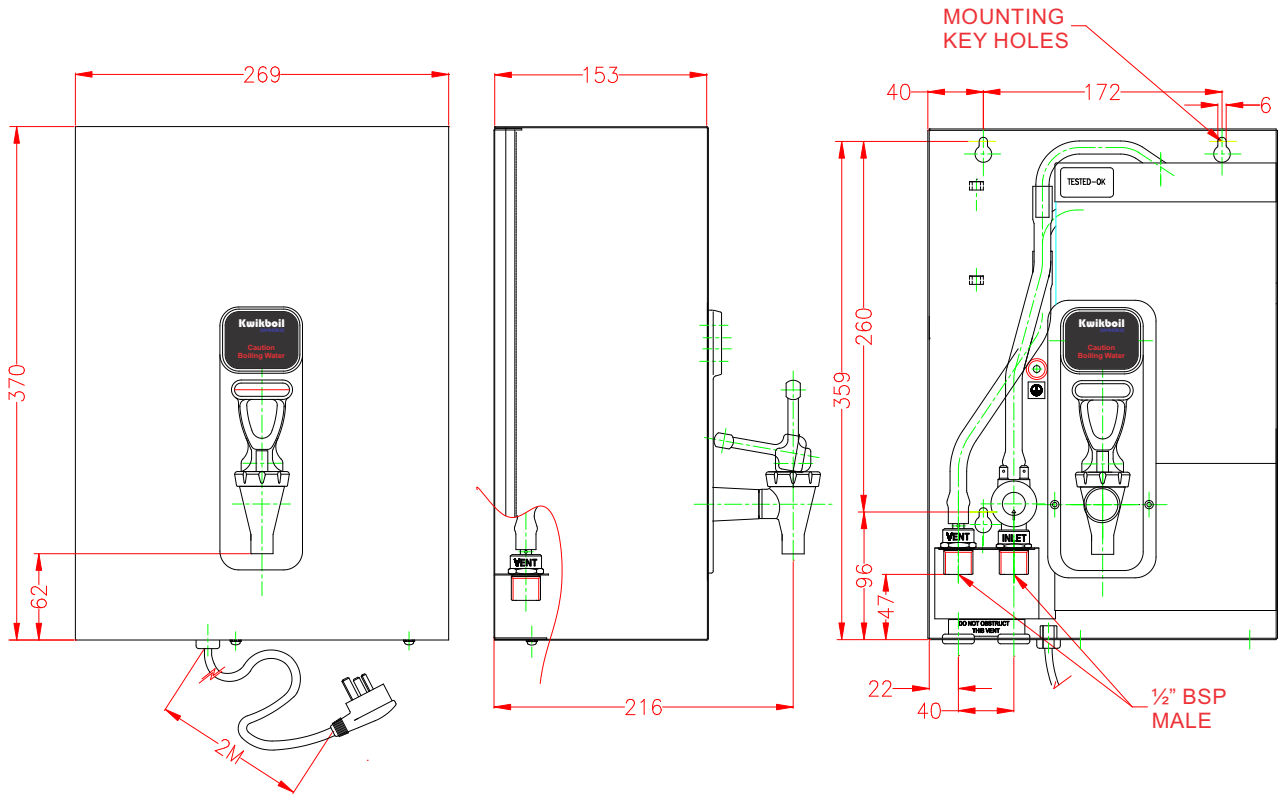
# KWIKBOIL - STANDARD SERIES

## 20 Cup, White - Filtered

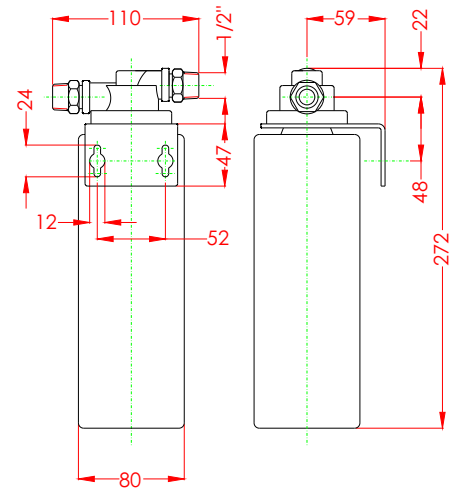
Product Code

# SA020F

Page N° 21



Controls & Electrical Circuitry removed for clarity



600 kPa Pressure Limiting Valve must be installed to safe guard filter.

### Technical Specifications

Nominal Capacity:	3 Litres
Recovery Rating:	150 Cups per hour.
Supply Rating:	10 Amps @ 240 Volt.
Service Rating:	20-1000 kPa.
Weight:	5,5 Kg.(dry) 8,6 Kg.(full)

Cup Size = 167 ml

**SUPAKWIK** water heaters pty Ltd



supakwik.com

S SERIES



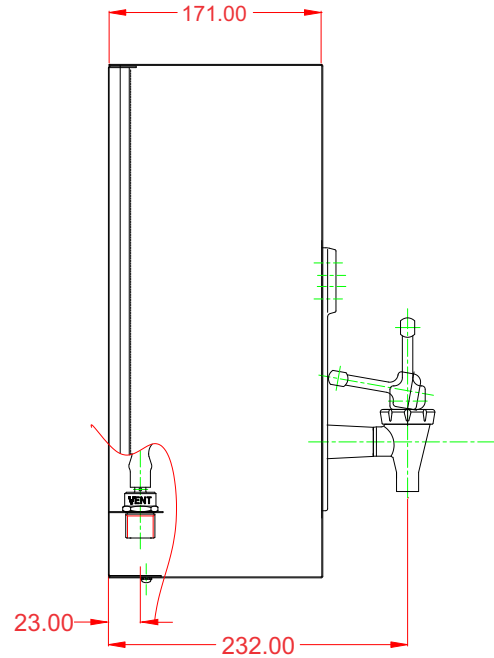
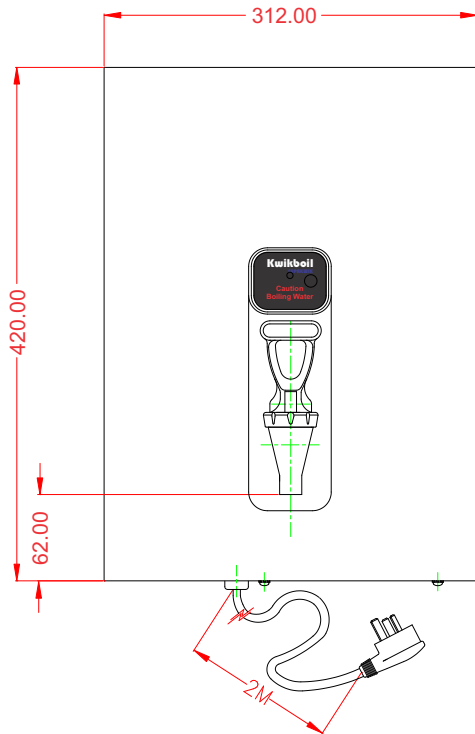
# KWIKBOIL - STANDARD SERIES

## 38 Cup, White - Unfiltered

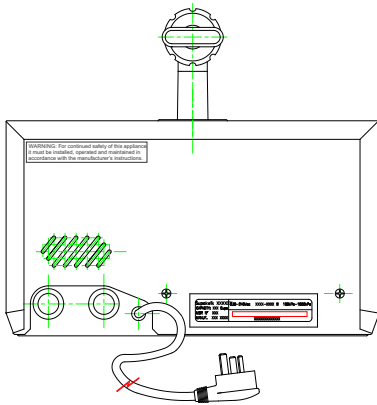
Product Code

# SA038

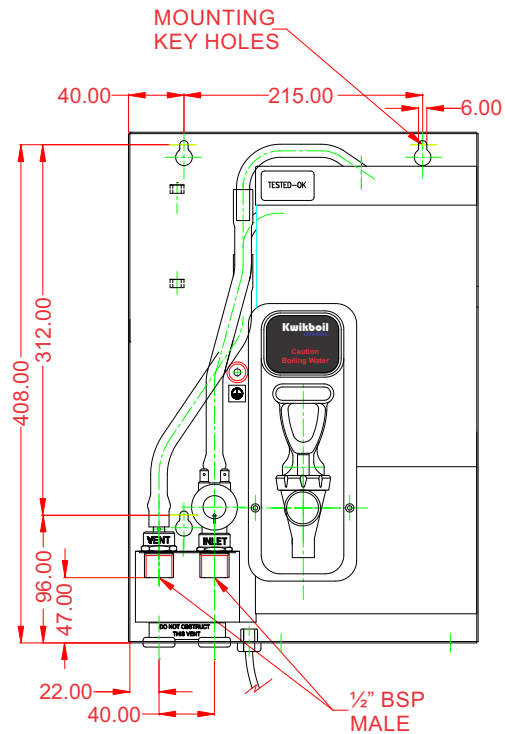
Page N° 22



S SERIES



Controls & Electrical Circuitry removed for clarity



### Technical Specifications

Nominal Capacity:	6 Litres
Recovery Rating:	150 Cups per hour.
Supply Rating:	10 Amps @ 240 Volt.
Service Rating:	20-1000 kPa.
Weight:	7,2 Kg.(dry) 14,8 Kg.(full)

Cup Size = 167 ml

**SUPAKWIK** water heaters pty ltd



supakwik.com



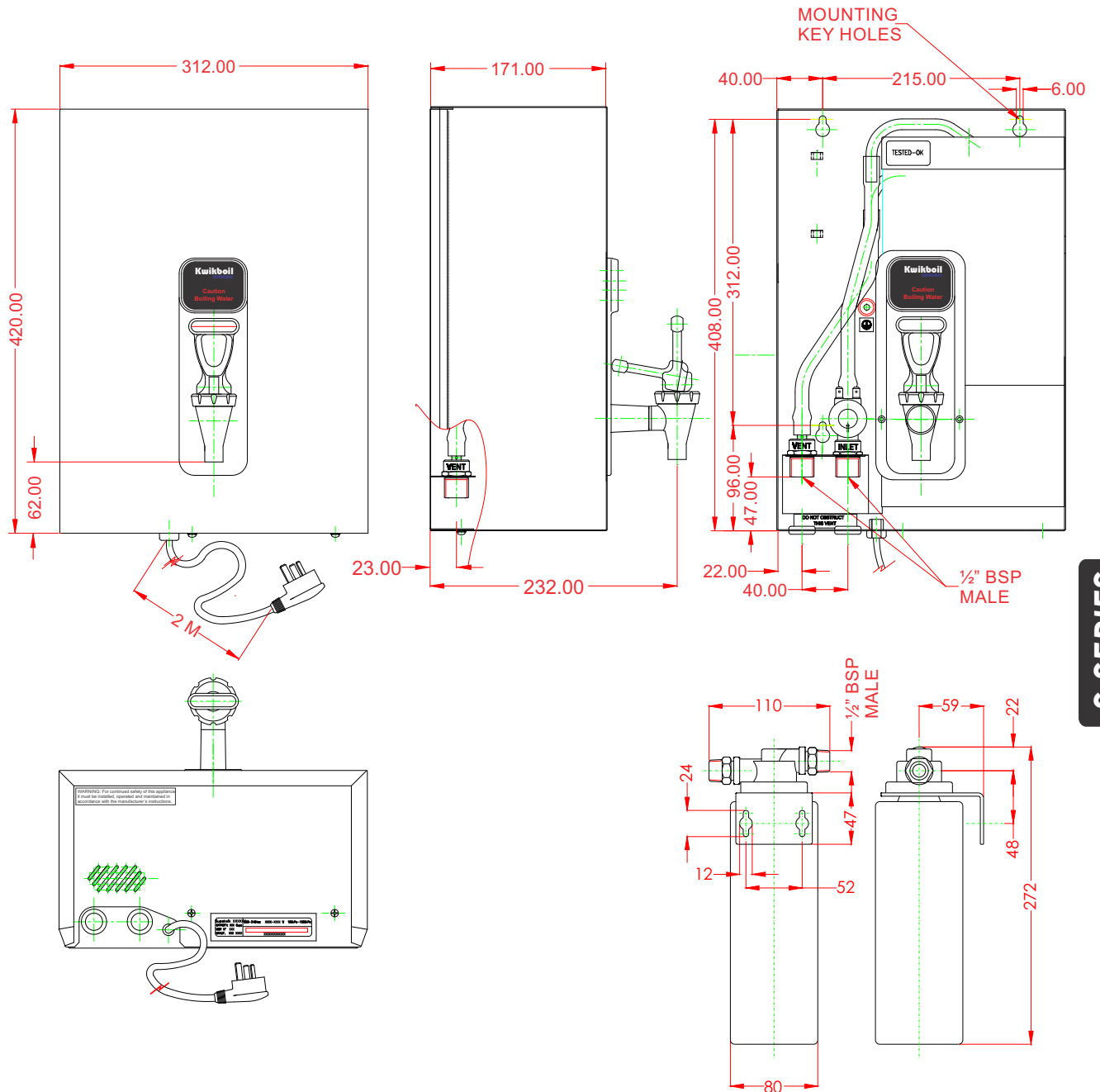
# KWIKBOIL - STANDARD SERIES

## 38 Cup, White - Filtered

Product Code

# SA038F

Page N° 23



600 kPa Pressure Limiting Valve must be installed to safe guard filter.

**S SERIES**

### Technical Specifications

Nominal Capacity:	6 Litres
Recovery Rating:	150 Cups per hour.
Supply Rating:	10 Amps @ 240 Volt.
Service Rating:	20-1000 kPa.
Weight:	7,2 Kg.(dry) 14,8 Kg.(full)

Cup Size = 167 ml

**SUPAKWIK** water heaters pty Ltd



supakwik.com



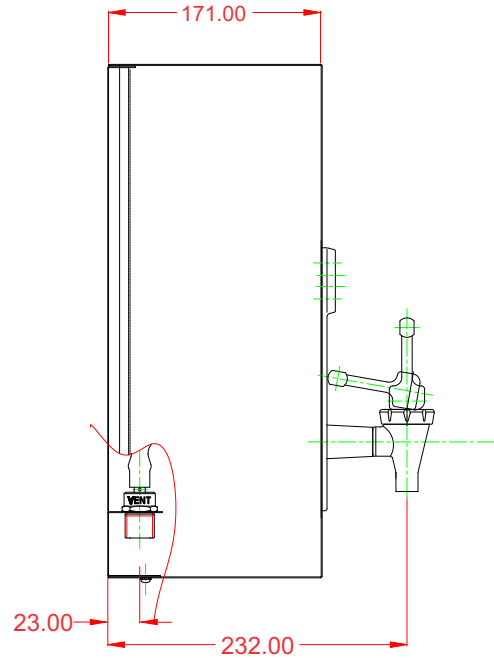
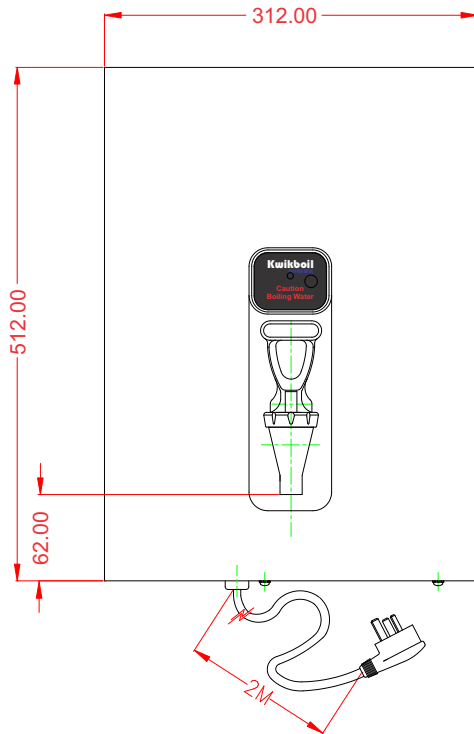
# KWIKBOIL - STANDARD SERIES

## 50 Cup, White - Unfiltered

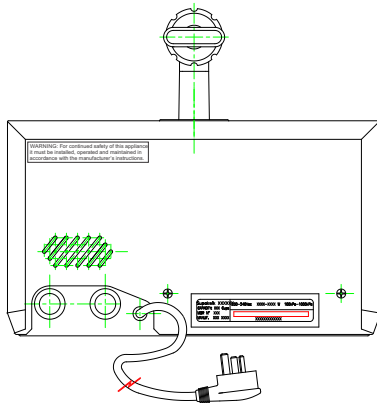
Product Code

# SA050

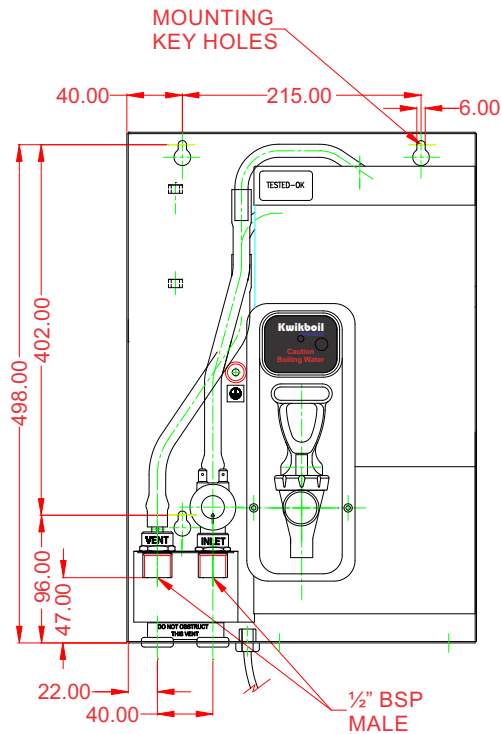
Page N° 24



S SERIES



Controls & Electrical Circuitry removed for clarity



### Technical Specifications

Nominal Capacity:	8 Litres
Recovery Rating:	150 Cups per hour.
Supply Rating:	10 Amps @ 240 Volt.
Service Rating:	20-1000 kPa.
Weight:	8,1 Kg.(dry) 17,2 Kg.(full)

Cup Size = 167 ml

**SUPAKWIK** water heaters pty ltd



supakwik.com





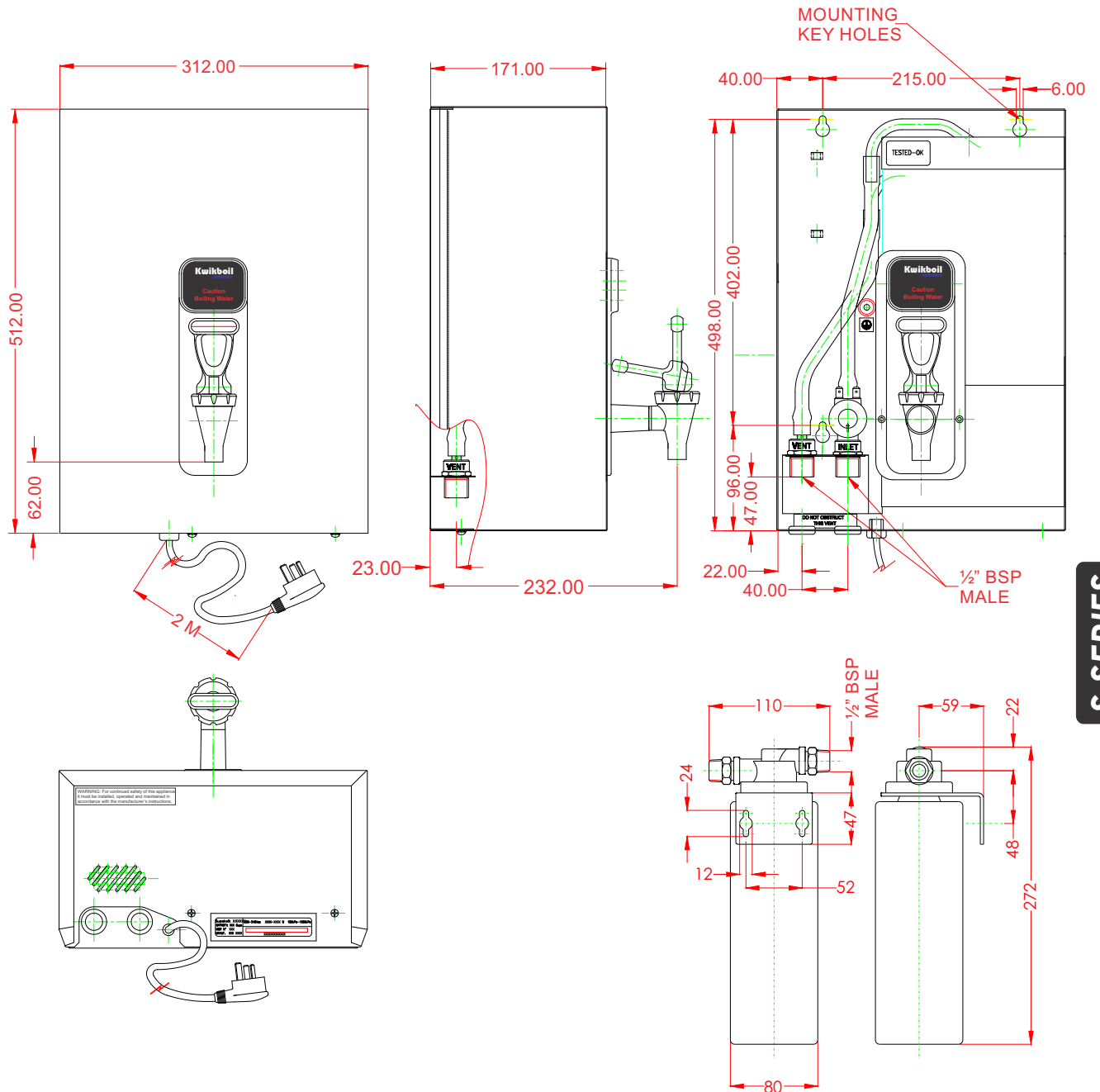
# KWIKBOIL - STANDARD SERIES

## 50 Cup, White - Filtered

Product Code

# SA050F

Page N° 25



S SERIES



600 kPa Pressure Limiting Valve must be installed to safe guard filter.

### Technical Specifications

Nominal Capacity:	8 Litres
Recovery Rating:	150 Cups per hour.
Supply Rating:	10 Amps @ 240 Volt.
Service Rating:	20-1000 kPa.
Weight:	8,1 Kg.(dry) 17,2 Kg.(full)

Cup Size = 167 ml

**SUPAKWIK** water heaters pty Ltd



supakwik.com



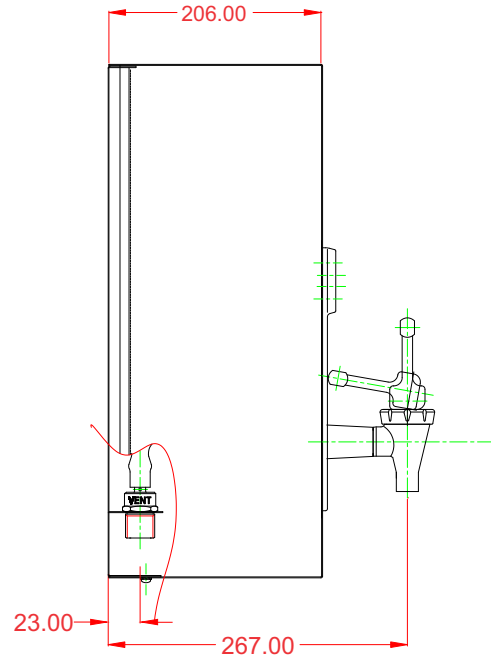
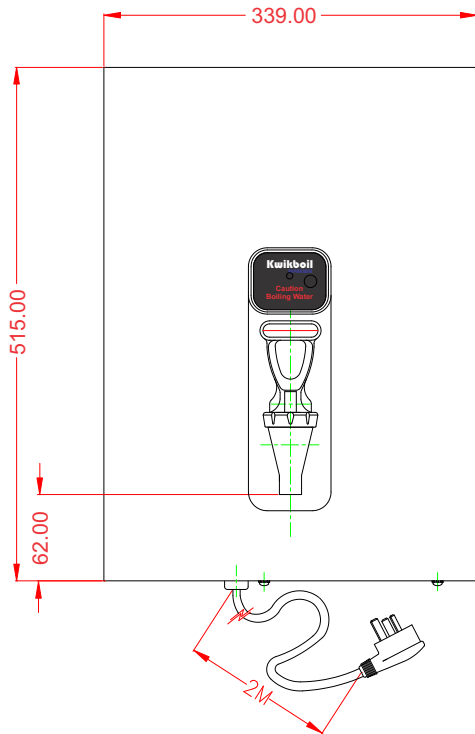
# KWIKBOIL - STANDARD SERIES

## 75 Cup, White - Unfiltered

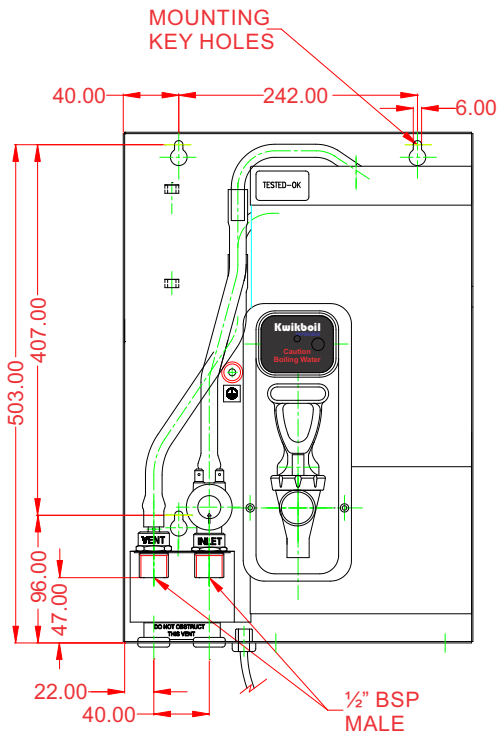
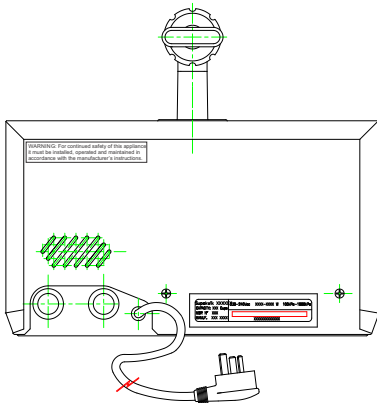
Product Code

# SA075

Page N° 26



S SERIES



### Technical Specifications

Nominal Capacity:	12 Litres
Recovery Rating:	150 Cups per hour.
Supply Rating:	10 Amps @ 240 Volt.
Service Rating:	20-1000 kPa.
Weight:	9,3 Kg.(dry) 23,0 Kg.(full)

Cup Size = 167 ml

**SUPAKWIK** water heaters pty ltd



supakwik.com



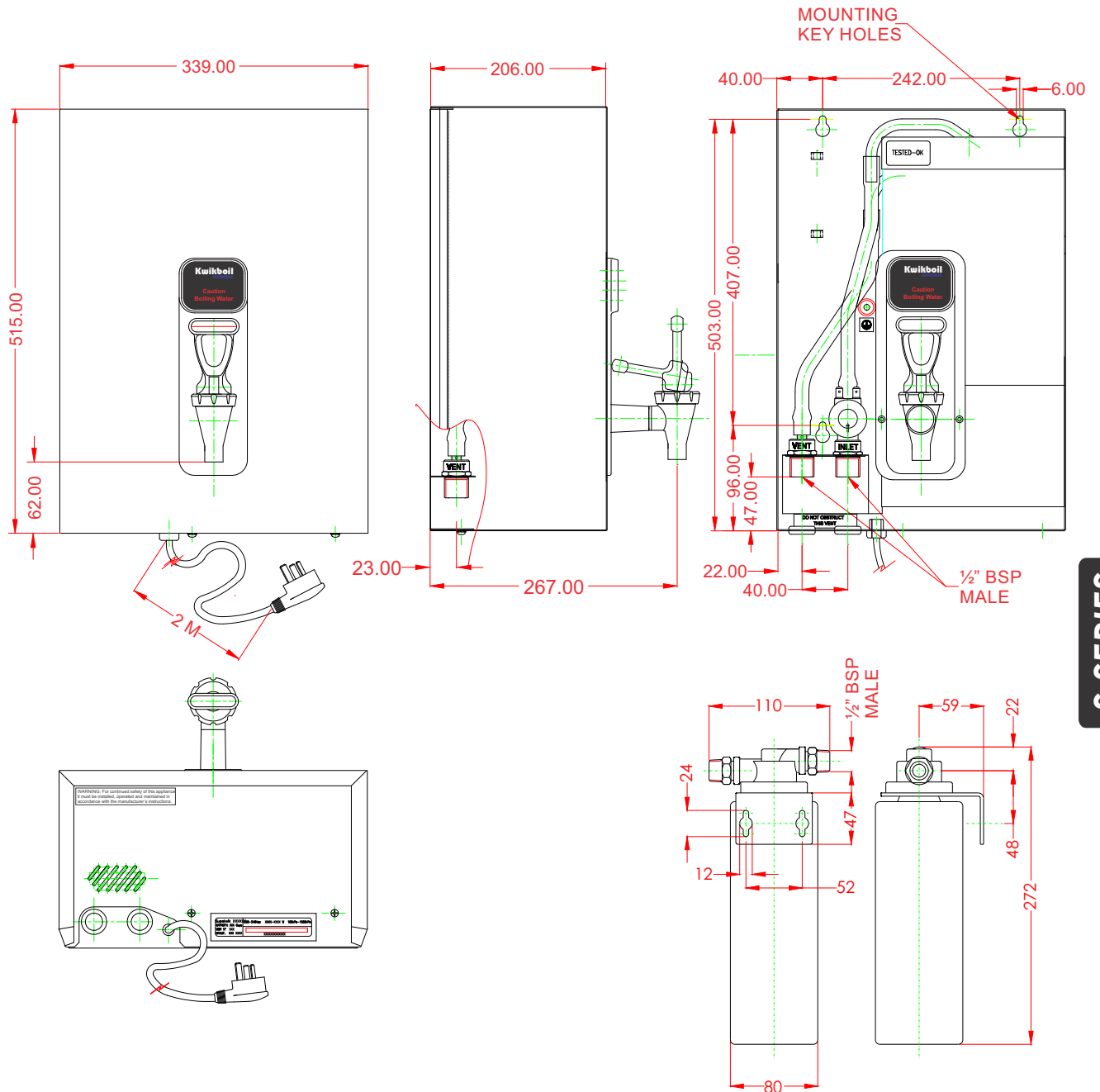
# KWIKBOIL - STANDARD SERIES

## 75 Cup, White - Filtered

Product Code

# SA075F

Page N° 27



S SERIES

Controls & Electrical Circuitry removed for clarity



600 kPa Pressure Limiting Valve must be installed to safe guard filter.

### Technical Specifications

Nominal Capacity:	12 Litres
Recovery Rating:	150 Cups per hour.
Supply Rating:	10 Amps @ 240 Volt.
Service Rating:	20-1000 kPa.
Weight:	9,3 Kg.(dry) 23,0 Kg.(full)

Cup Size = 167 ml

**SUPAKWIK** water heaters pty Ltd



supakwik.com



# KWIKBOIL - STANDARD SERIES

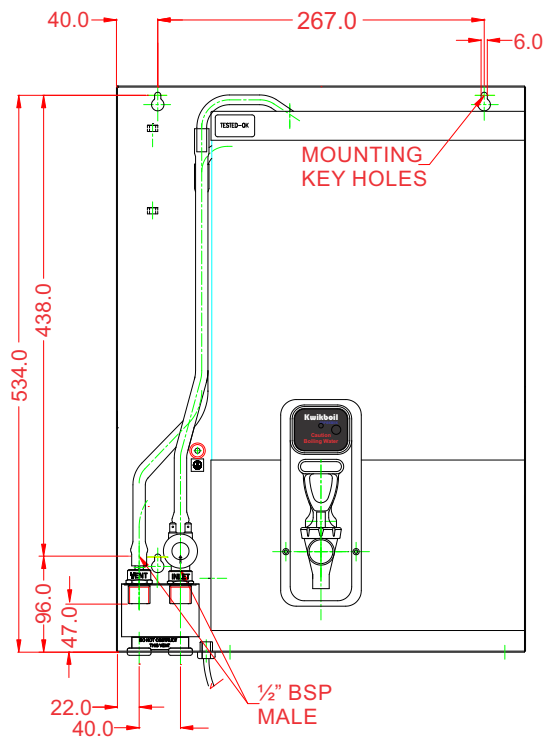
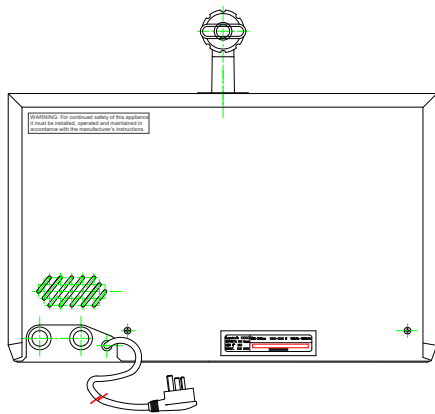
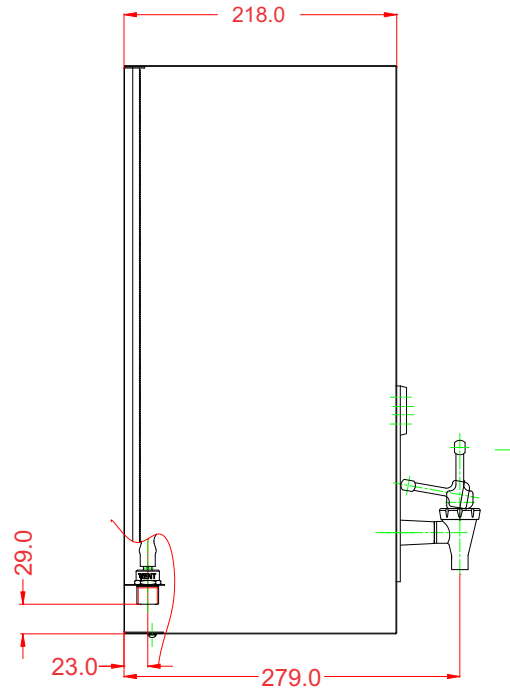
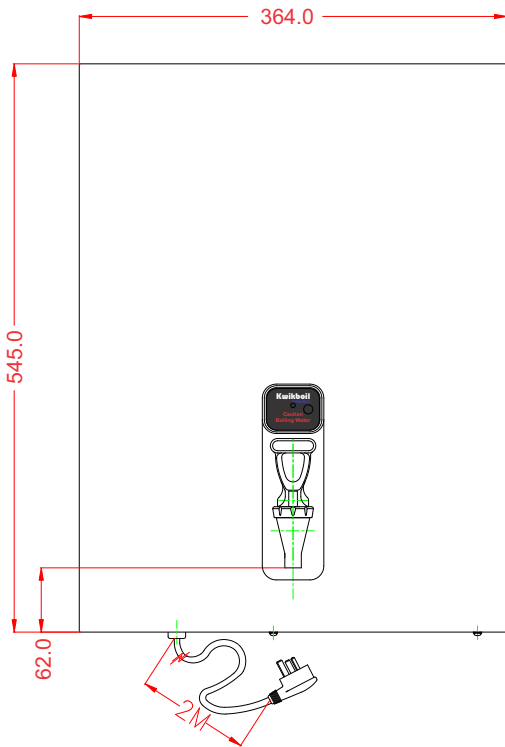
## 100 Cup, White - Unfiltered

Product Code

# SA100

Page N° 28

S SERIES



### Technical Specifications

Nominal Capacity:	16 Litres
Recovery Rating:	150 Cups per hour.
Supply Rating:	10 Amps @ 240 Volt.
Service Rating:	20-1000 kPa.
Weight:	11,0 Kg.(dry) 28,8 Kg.(full)

Cup Size = 167 ml

**SUPAKWIK** water heaters pty ltd



supakwik.com



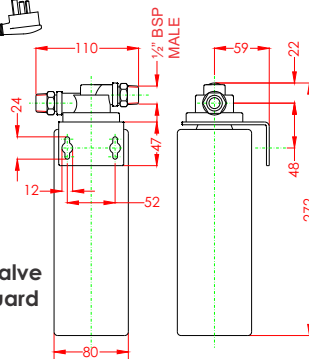
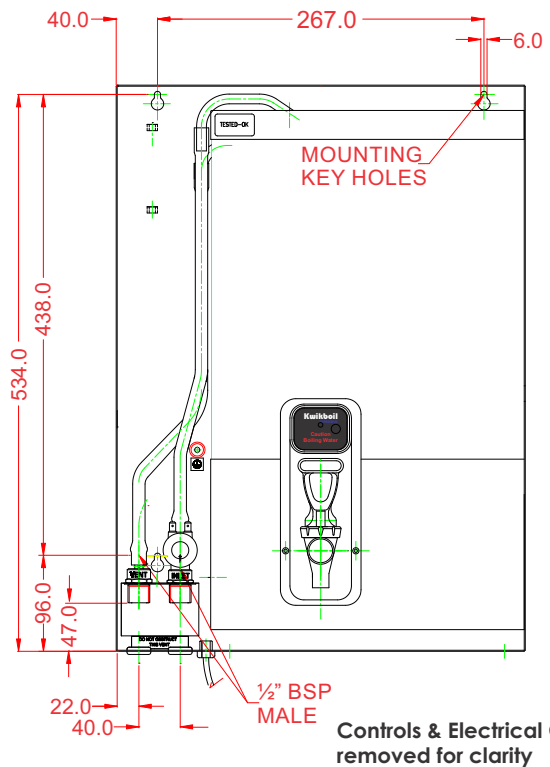
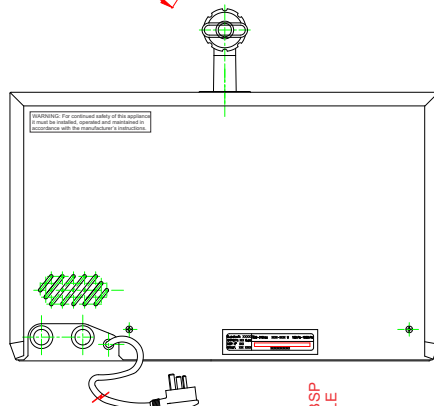
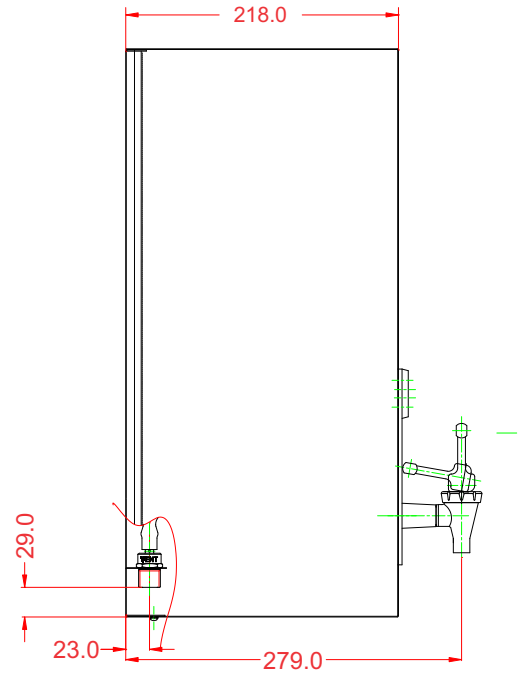
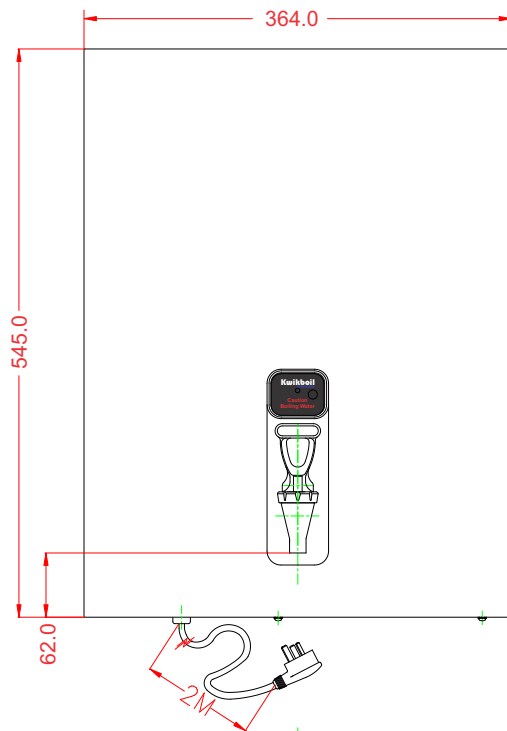
# KWIKBOIL - STANDARD SERIES

## 100 Cup, White - Filtered

Product Code

# SA100F

Page N° 29



600 kPa Pressure Limiting Valve must be installed to safe guard filter.

### Technical Specifications

Nominal Capacity:	16 Litres
Recovery Rating:	150 Cups per hour.
Supply Rating:	10 Amps @ 240 Volt.
Service Rating:	20-1000 kPa.
Weight:	11,0 Kg.(dry) 28,8 Kg.(full)

Cup Size = 167 ml

**SUPAKWIK** water heaters pty Ltd



supakwik.com

S SERIES



# KWIKBOIL - STANDARD SERIES

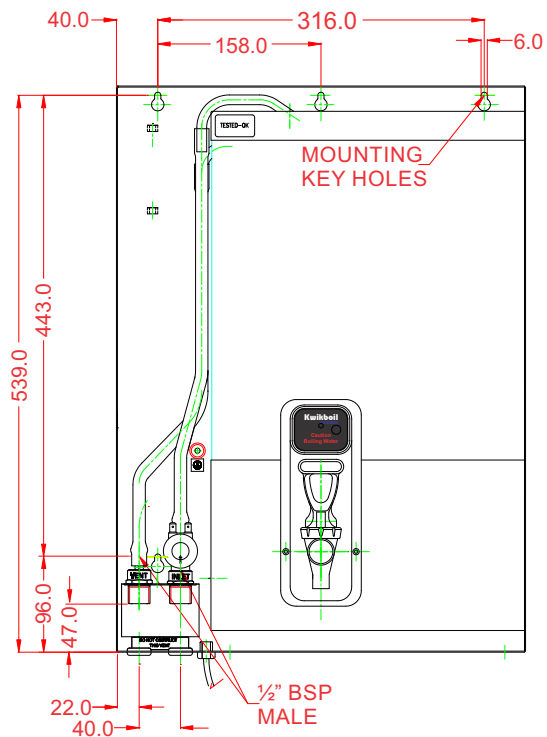
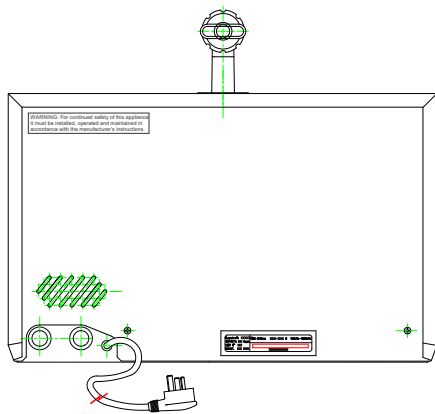
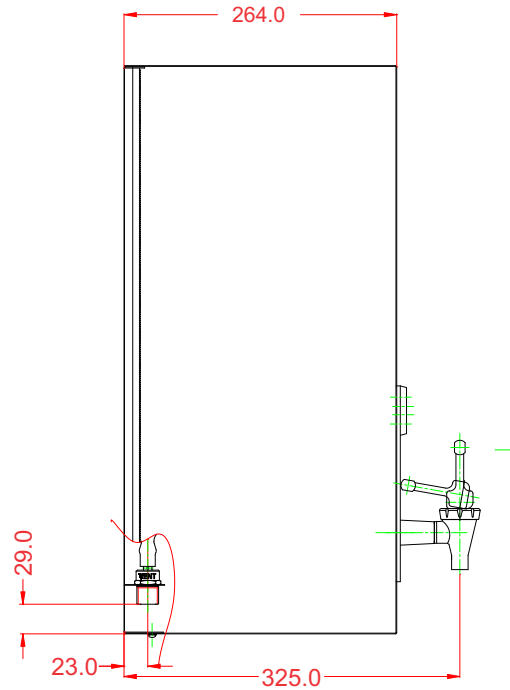
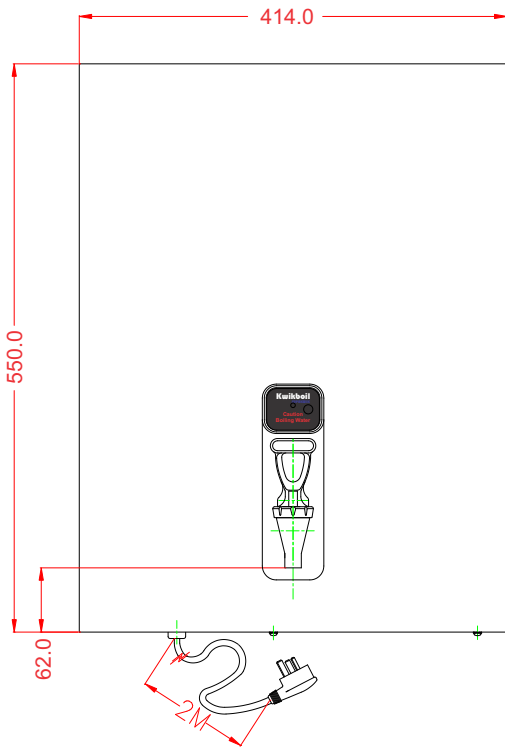
## 160 Cup, White - Unfiltered

Product Code

# SA160

Page N° 30

S SERIES



### Technical Specifications

Nominal Capacity:	25 Litres
Recovery Rating:	150 Cups per hour.
Supply Rating:	10 Amps @ 240 Volt.
Service Rating:	20-1000 kPa.
Weight:	12,3 Kg.(dry) 37,8 Kg.(full)

Cup Size = 167 ml

**SUPAKWIK** water heaters pty ltd



supakwik.com



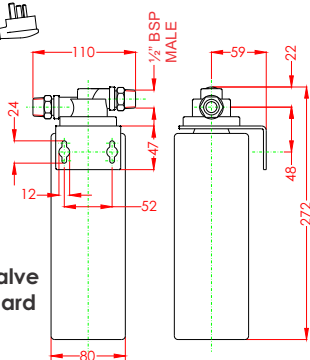
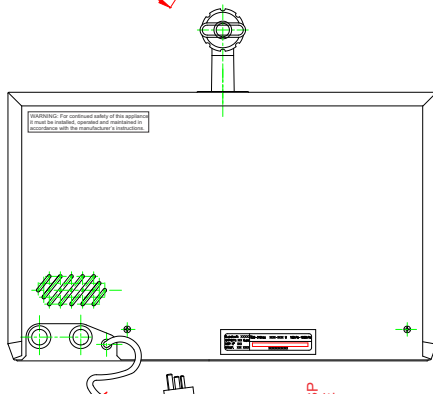
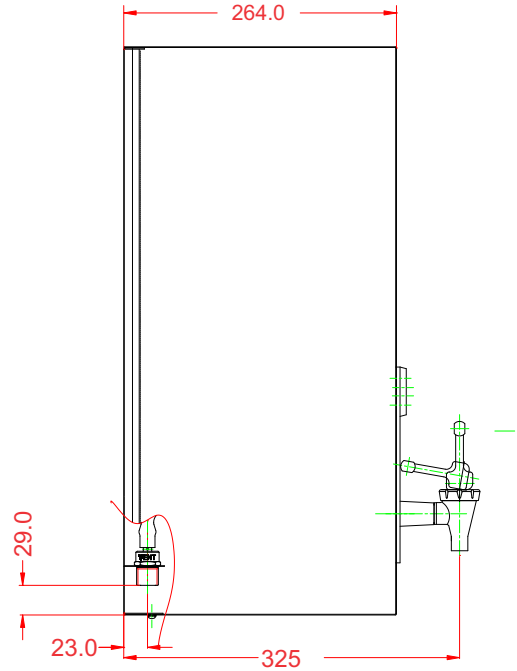
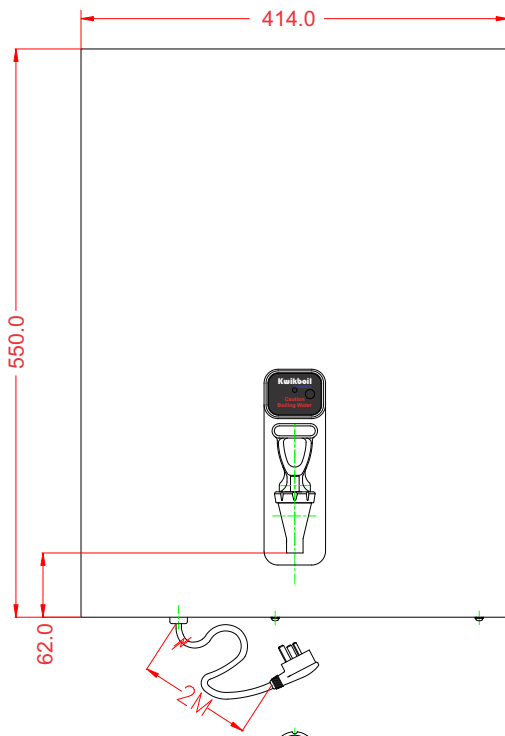
# KWIKBOIL - STANDARD SERIES

## 160 Cup, White - Filtered

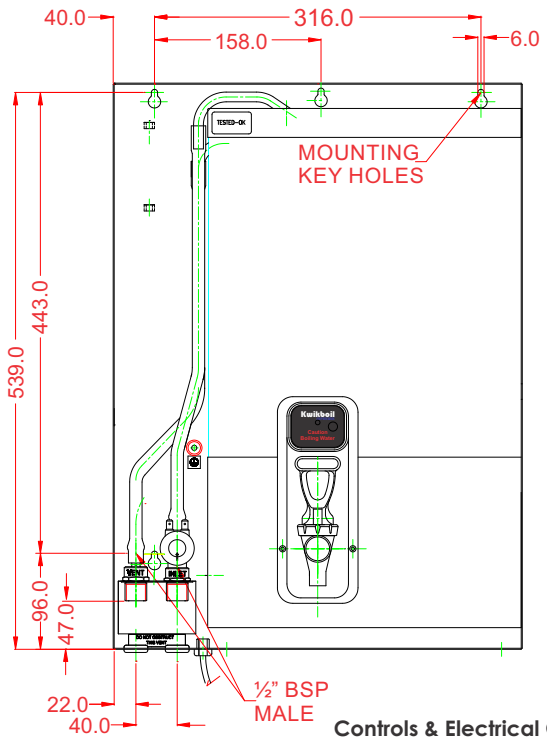
Product Code

# SA160F

Page N° 31



600 kPa Pressure Limiting Valve must be installed to safe guard filter.



S SERIES

### Technical Specifications

Nominal Capacity:	25 Litres
Recovery Rating:	150 Cups per hour.
Supply Rating:	10 Amps @ 240 Volt.
Service Rating:	20-1000 kPa.
Weight:	12,3 Kg.(dry) 37,8 Kg.(full)

Cup Size = 167 ml

**SUPAKWIK** water heaters pty ltd



supakwik.com



# UNDER BENCH COOLER

70 Office - 35 Industrial Staff.  
White, Unfiltered

Product Code

Goose Neck Chrome UB7035

Page N° 32

Product Codes  
for Alternate Taps

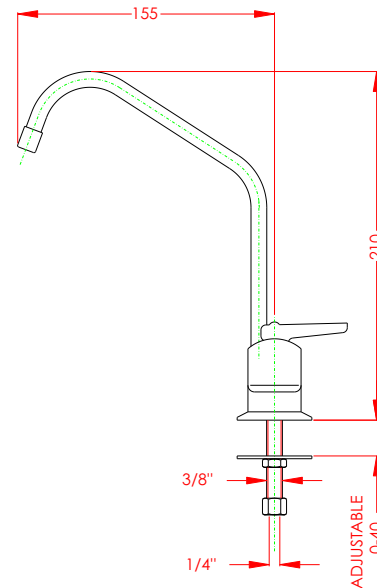
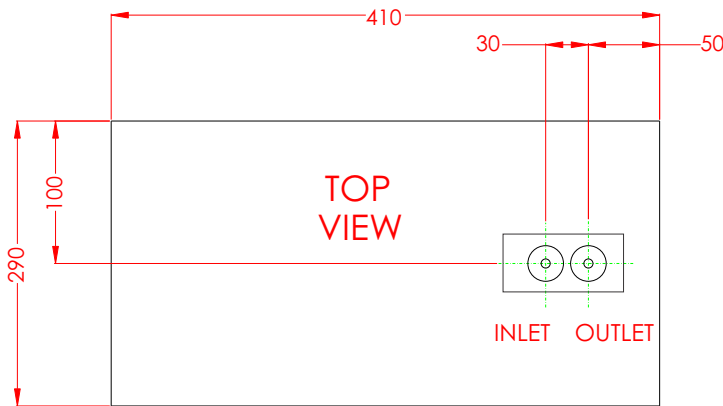
Goose Neck Long Chrome UB7035G02

Long Reach White UB7035W02

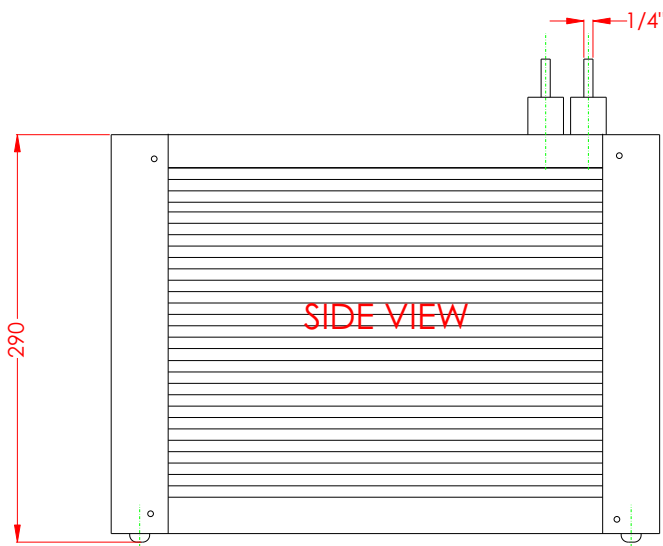
For Dimensions of Alternate Taps - see Page A2 & A3

Included:

- Cooler
- Tap Assembly
- 350 kPa Pressure Limiting Valve
- 2 Meters LLDPE Tubing



UB SERIES



Chiller

The 350 kPa Pressure Limiting Valve supplied, must be installed to safe guard the Coole.

The Chiller must always be installed level, with the inlet and outlet tubes facing up.

### Technical Specifications

Nominal Capacity:	1,9 Litres
Recovery:	6 Litres per hour
Supply Rating:	0.75 Amps @ 240 Volt.
Application:	70 Office, 35 Industrial Staff.
Weight:	13,0 Kg.(dry) 14,6 Kg.(full)

Glass Size = 165 ml

**SUPAKWIK** water heaters pty ltd

supakwik.com





# UNDER BENCH COOLER

70 Office - 35 Industrial Staff.  
White, Unfiltered

Product Code

Goose Neck Chrome UB7035

Page N° 33

Product Codes  
for Alternate Taps

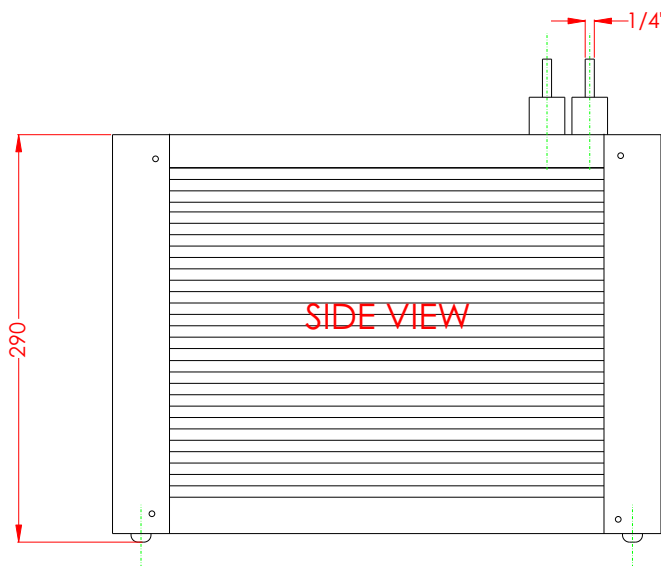
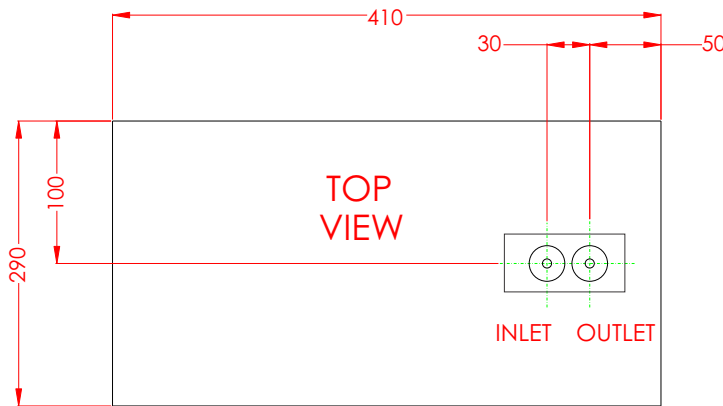
Goose Neck Long Chrome UB7035G02

Long Reach White UB7035W02

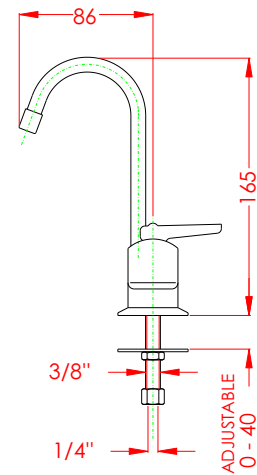
For Dimensions of Alternate Taps - see Page A2 & A3


Included:


- Cooler
- Tap Assembly
- 350 kPa Pressure Limiting Valve
- 2 Meters LLDPE Tubing



Chiller



 The 350 kPa Pressure Limiting Valve supplied, must be installed to safe guard the Coole.

 The Chiller must always be installed level, with the inlet and outlet tubes facing up.

## Technical Specifications

Nominal Capacity:	1,9 Litres
Recovery:	6 Litres per hour
Supply Rating:	0.75 Amps @ 240 Volt.
Application:	70 Office, 35 Industrial Staff.
Weight:	13,0 Kg.(dry) 14,6 Kg.(full)

Glass Size = 165 ml

**SUPAKWIK** water heaters pty ltd

[supakwik.com](http://supakwik.com)



# AMBIENT TAP

## 1/2 Micron Filtration Kit

Product Code

Goose Neck Chrome ATG02S

Page N° 34

Product Codes  
for Alternate Taps

Goose Neck Long Chrome ATN02S

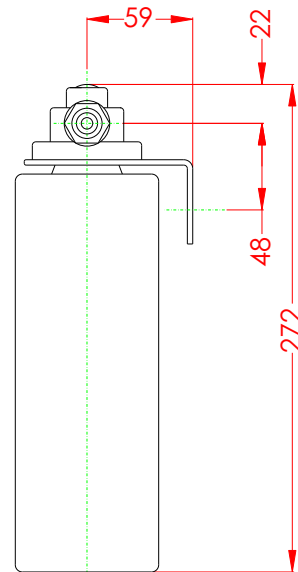
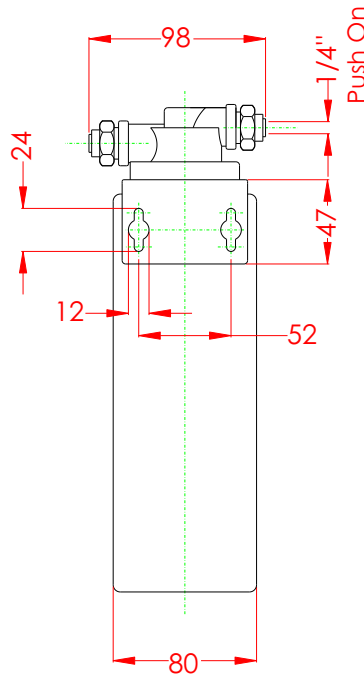
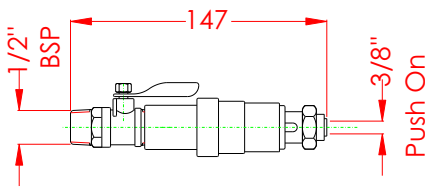
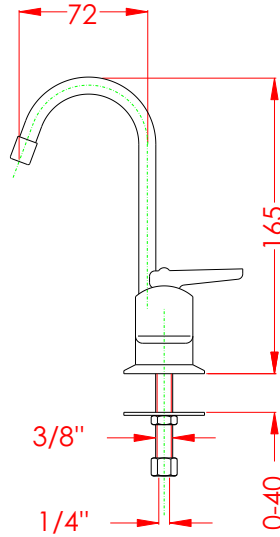
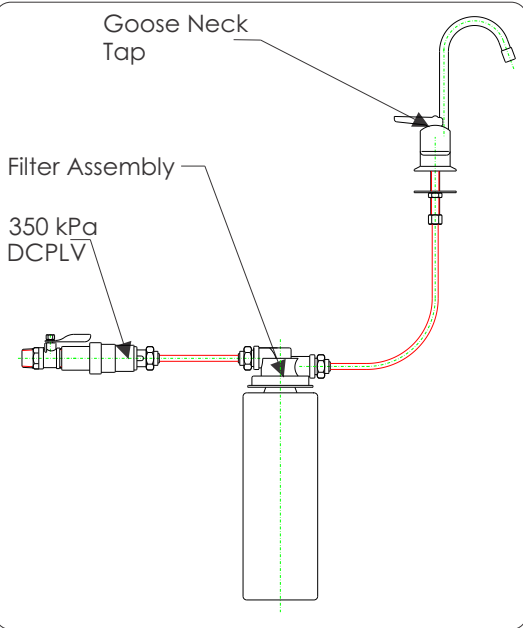
Long Reach Chrome ATLO2S

Long Reach White ATW02S

For Dimensions of Alternate Taps - see Page A2 & A3

Included:

- Tap Assembly
- Bayonet Filter Head Assy
- 1/2 Micron Filter Cartridge
- Ball Valve
- 350 kPa Pressure Limiting Valve
- 2 Meters LLDPE Tubing



AT SERIES



350 kPa Pressure Limiting Valve must be installed to safe guard filter.

### Technical Specifications

**Application:** Filtered Ambient Installation  
**Mounting:** Counter Top  
**Supply Fittings:** Ferruled 1/4" Tubing  
**Service Rating:** 860 kPa.

**SUPAKWIK** water heaters pty ltd

supakwik.com



# AMBIENT TAP

## 1/2 Micron Filtration Kit

Product Code  
Goose Neck Chrome **ATL02S**

Page N° **35**

Product Codes  
for Alternate Taps

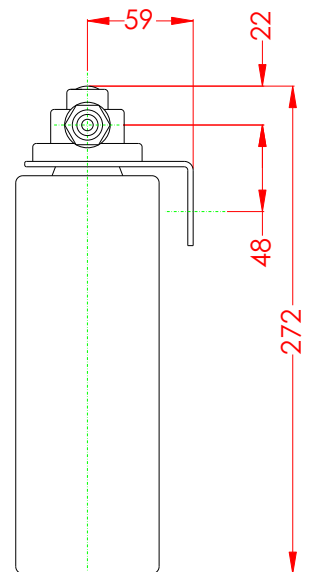
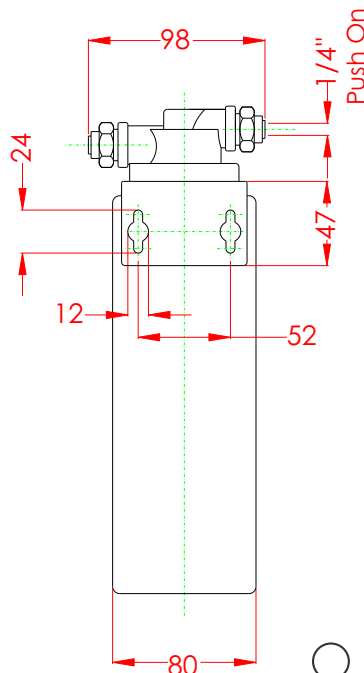
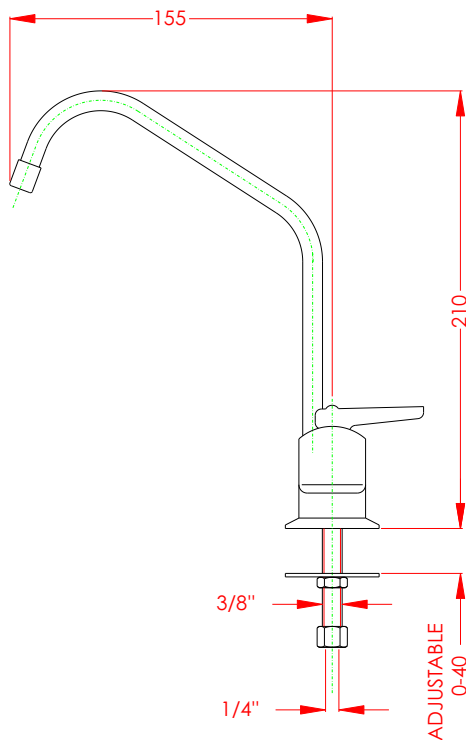
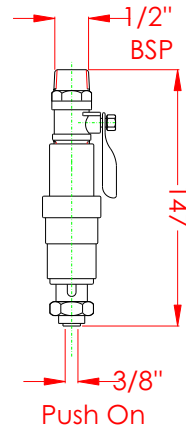
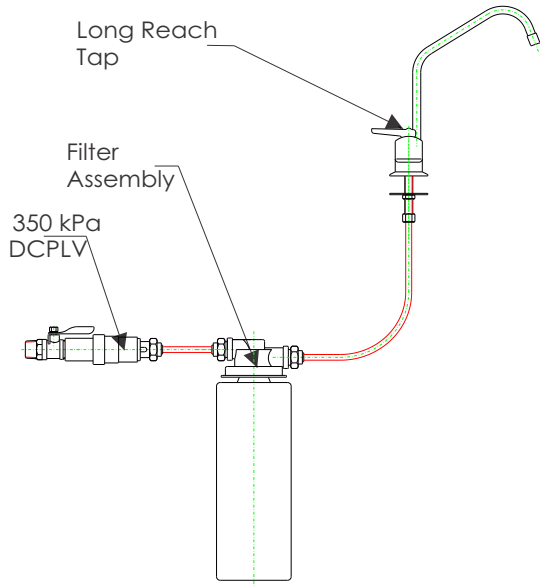
Goose Neck Long Chrome **ATN02S**

Long Reach Chrome **ATL02S**

Long Reach White **ATW02S**

For Dimensions of Alternate Taps - see Page A2 & A3

Included:  
Tap Assembly  
Bayonet Filter Head Assy  
1/2 Micron Filter Cartridge  
Ball Valve  
350 kPa Pressure Limiting Valve  
2 Meters LLDPE Tubing



350 kPa Pressure Limiting Valve must be installed to safe guard filter.

### Technical Specifications

**Application:** Filtered Ambient Installation  
**Mounting:** Counter Top  
**Supply Fittings:** Ferruled 1/4" Tubing  
**Service Rating:** 860 kPa.

**SUPAKWIK** water heaters pty ltd

supakwik.com

AT SERIES



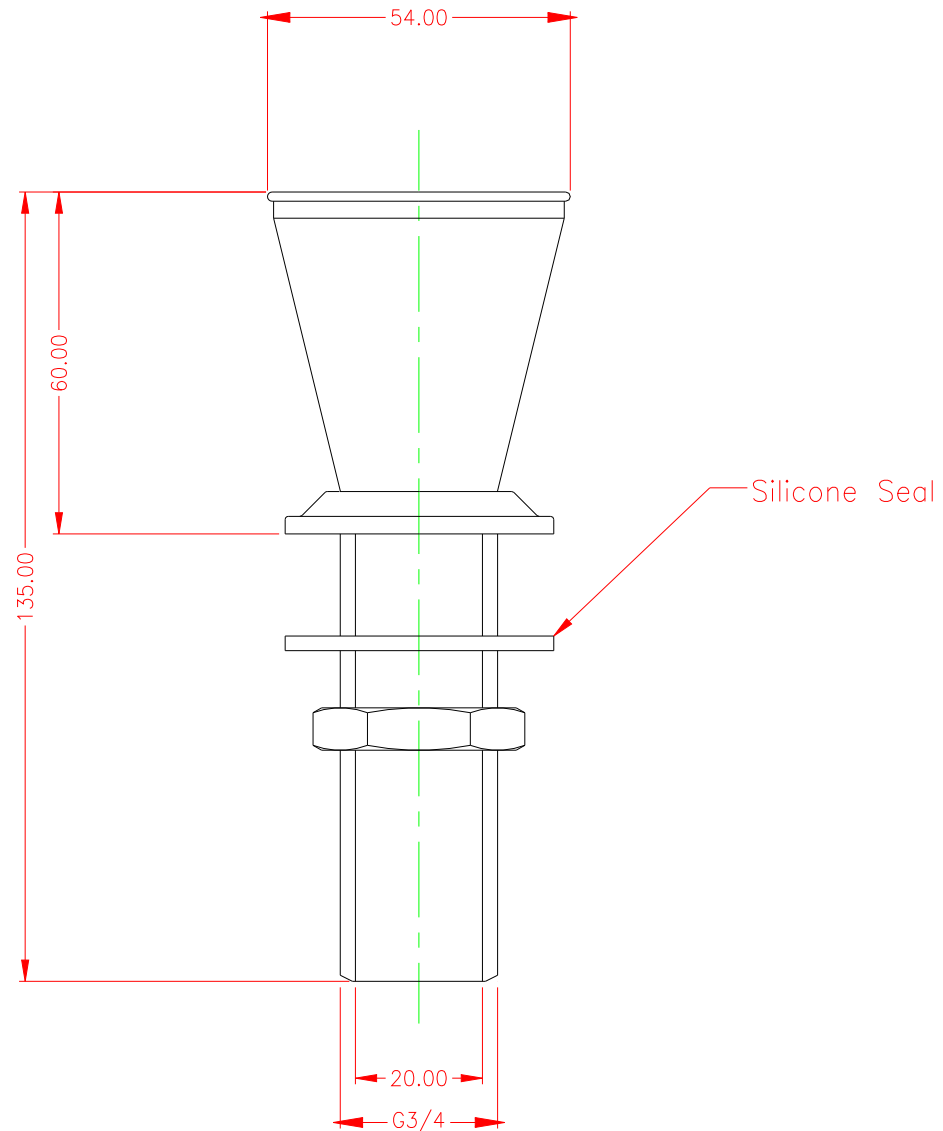
# TUNDISH

Chrome Plated - Straight G3/4"

Product Code

**T18020**

Page N° 36



**$\frac{3}{4}$ " (26.40)**

Tun Dish

### Technical Specifications

This Tundish has been specifically designed for use with Boiling Water Dispensers.

This Tundish is rated to accommodate a maximum flow rate of 8 litres/minute.

Cup Size = 167 ml

**SUPAKWIK** water heaters pty ltd



supakwik.com

Sept16



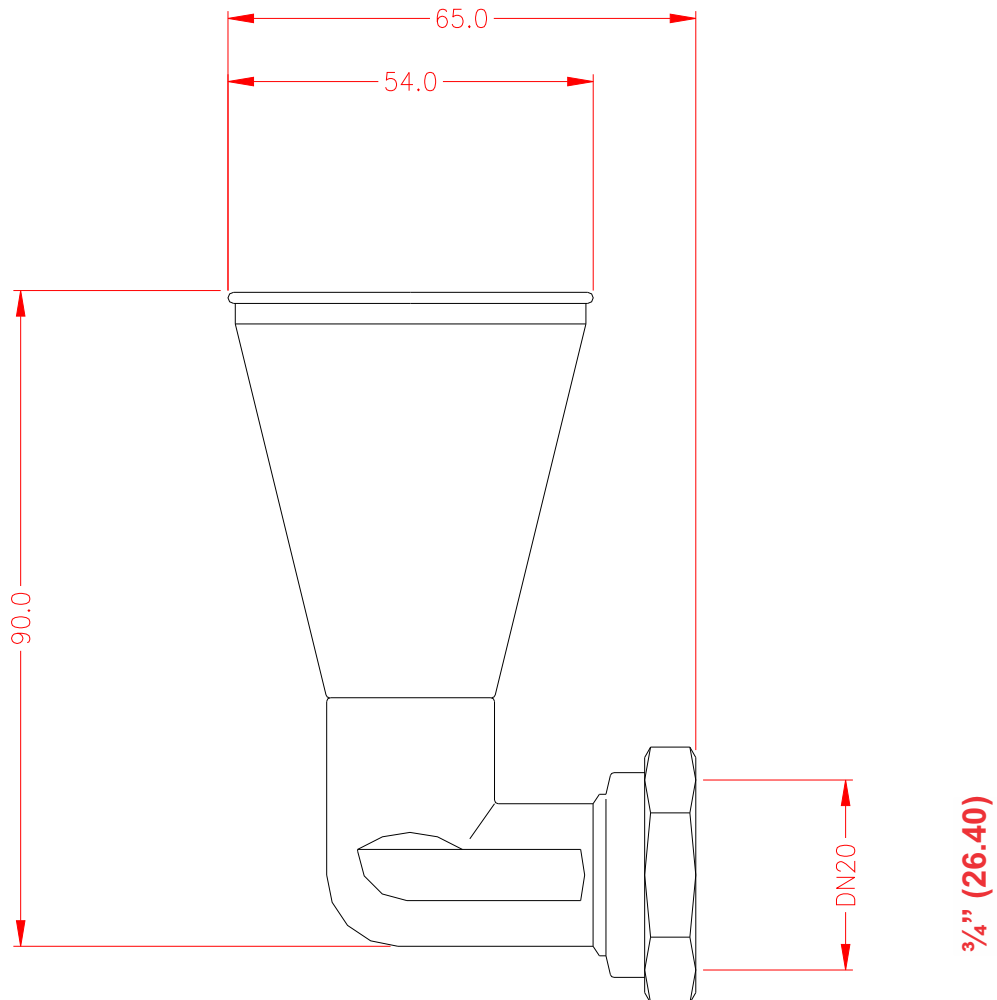
# TUNDISH

Chrome Plated - Wall Mount G3/4"

Product Code

## T09020

Page N° 37



Tun Dish

### Technical Specifications

This Tundish has been specifically designed for use with Boiling Water Dispensers.

This Tundish is rated to accommodate a maximum flow rate of 8 litres/minute.

Cup Size = 167 ml

**SUPAKWIK** water heaters pty ltd



supakwik.com

Sept16



# CARTRIDGE & HEAD ASSY

5 Micron

Product Code

**F02F**

Page N° 38

FILTRATION



When Installing, allow a minimum clearance of 75mm below the filter cartridge to allow for easy cartridge replacement.

## Technical Specifications

### CARTRIDGE OPERATING PERAMETERS

Capacity:	11355 Litres.
Pressures:	850 kPa max. 70 kPa min.
Temperature:	2 -38°C
Flow Rate:	3.8 Litres / min

**SUPAKWIK** water heaters pty ltd

[supakwik.com](http://supakwik.com)

Sept16



## CARTRIDGE & HEAD ASSY

1/2 Micron

Product Code

**S02F**

Page N° 39



FILTRATION



When Installing, allow a minimum clearance of 75mm below the filter cartridge to allow for easy cartridge replacement.

### Technical Specifications

#### CARTRIDGE OPERATING PERAMETERS

Capacity:	5000 Litres.
Pressures:	850 kPa max. 70 kPa min.
Temperature:	2 -38°C
Flow Rate:	3.8 Litres / min

**SUPAKWIK** water heaters pty ltd

[supakwik.com](http://supakwik.com)

Sept16



# CARTRIDGE & HEAD ASSY

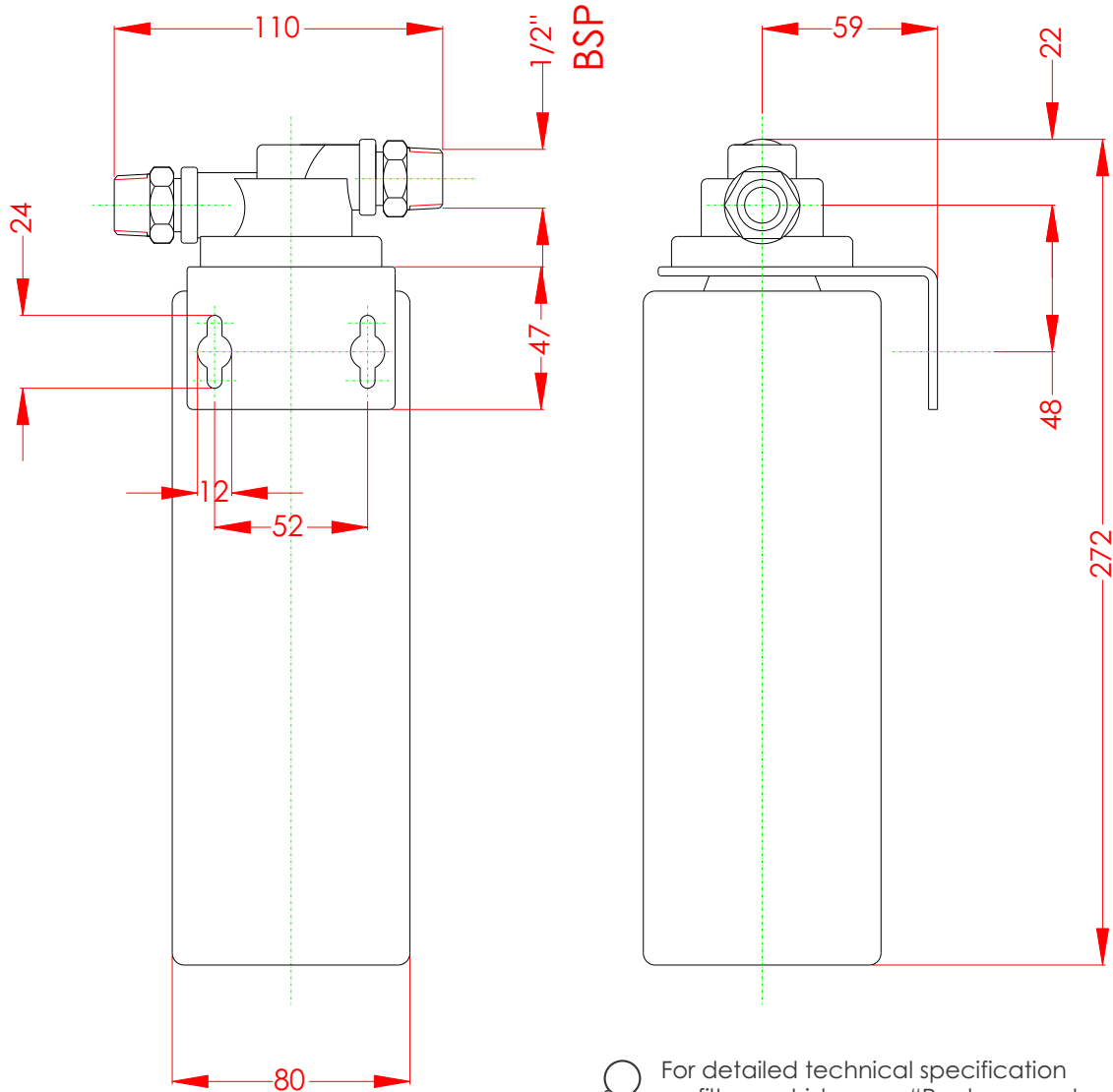
1/2 Micron - 1/2" BSP Fittings

Product Code

**FH1212S**

Page N° 40

FILTRATION



For detailed technical specification on filter cartridges, see "Replacement Cartridge" Pg A10



When Installing, allow a minimum clearance of 75mm below the filter cartridge to allow for easy cartridge replacement.

## Technical Specifications

### CARTRIDGE PERFORMANCE RATING

Capacity:	5000 Litres.
Pressures:	860 kPa max. 70 kPa min.
Temperature:	38°C max.

**SUPAKWIK** water heaters pty ltd

[supakwik.com](http://supakwik.com)

Sept16





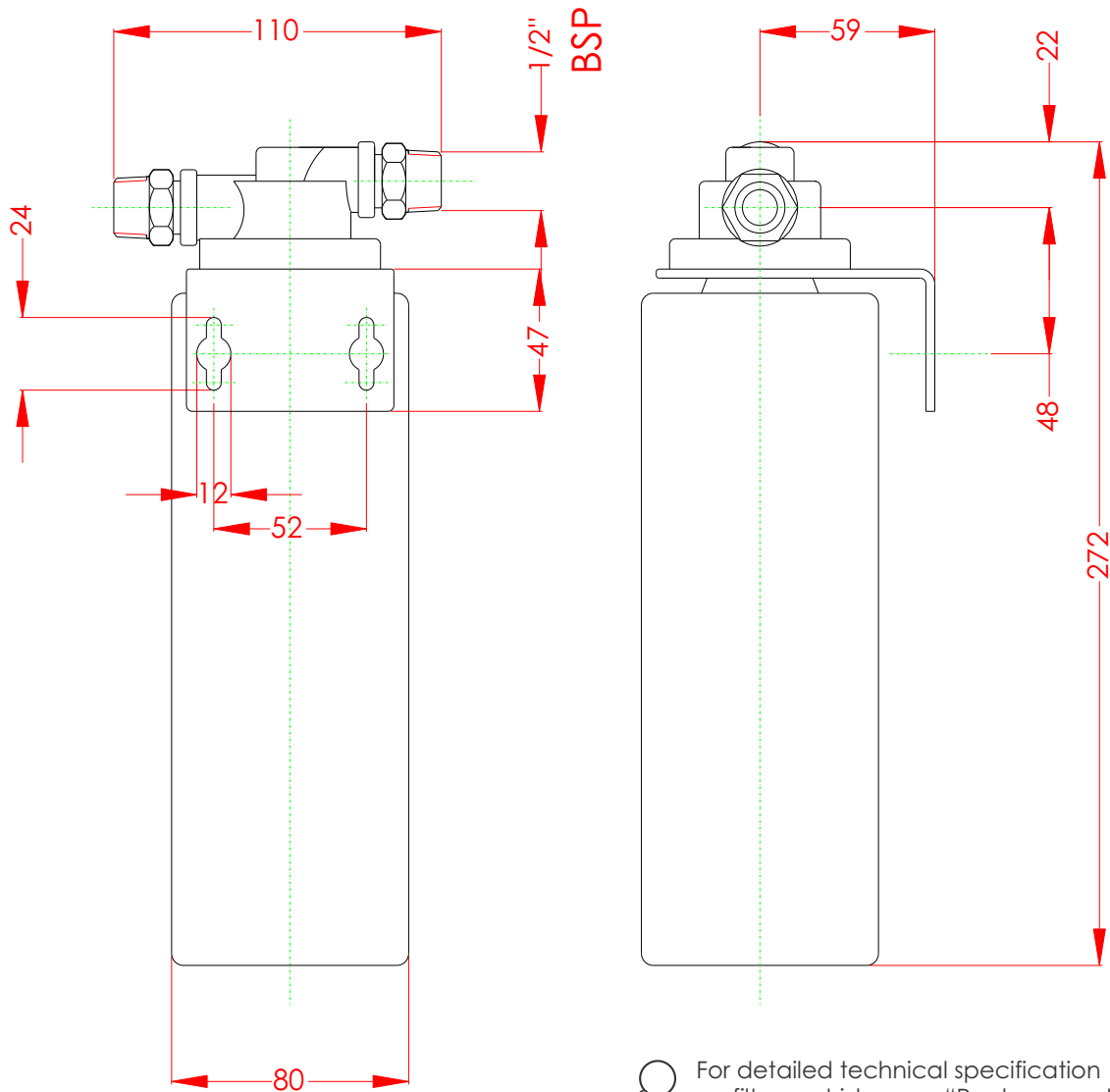
# CARTRIDGE & HEAD ASSY

5 Micron - 1/2" BSP Fittings

Product Code

**FH1212F**

Page N° 41



For detailed technical specification on filter cartridges, see "Replacement Cartridge" Pg A10



When Installing, allow a minimum clearance of 75mm below the filter cartridge to allow for easy cartridge replacement.

## Technical Specifications

### CARTRIDGE PERFORMANCE RATING

**Capacity:** 11,250 Litres.

**Pressures:** 860 kPa max. 70 kPa min.

**Temperature:** 38°C max.

**SUPAKWIK** water heaters pty Ltd

[supakwik.com](http://supakwik.com)

Sept16



# CARTRIDGE & HEAD ASSY

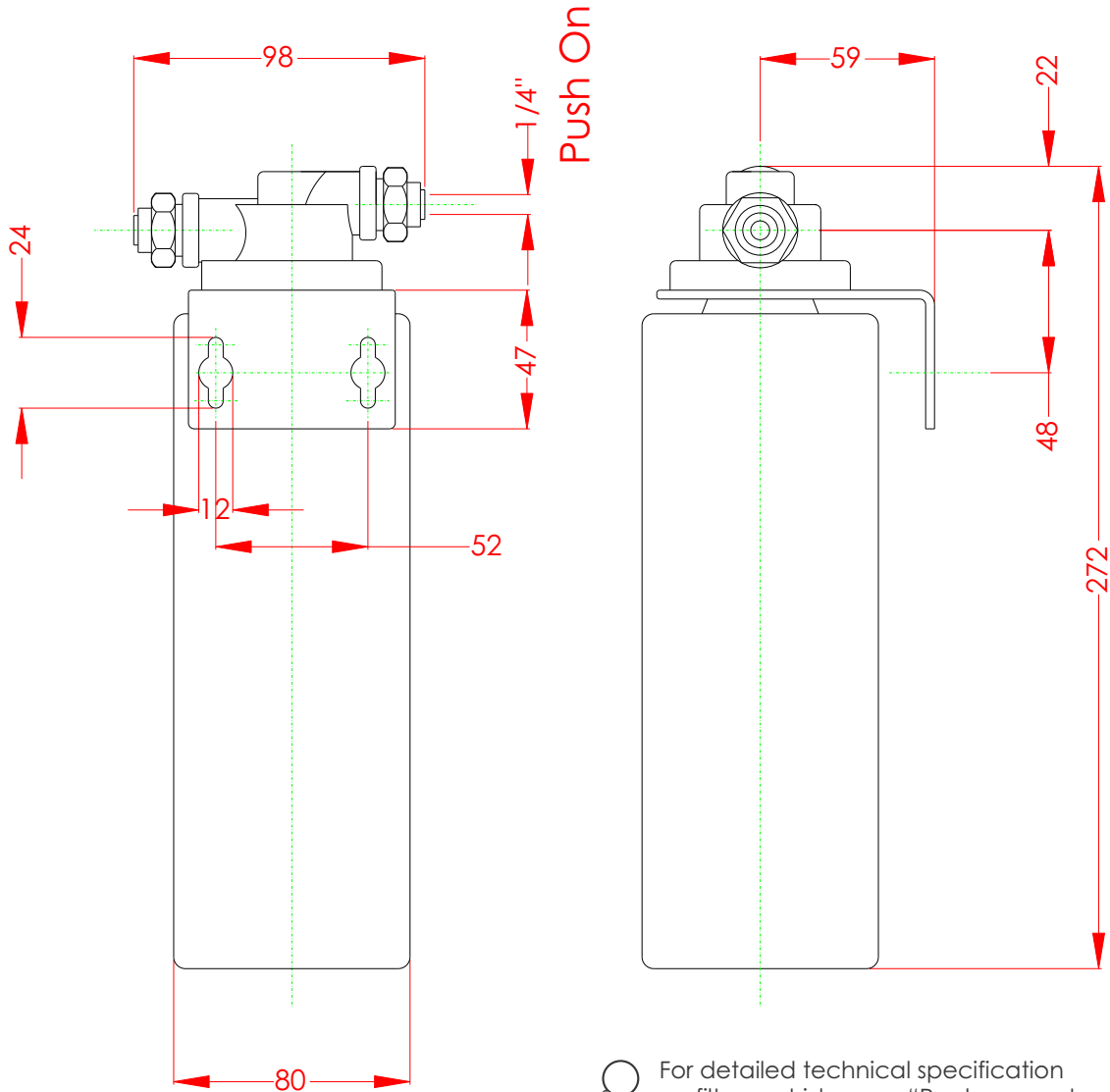
1/2 Micron - 1/4" Push Connect Fittings


Product Code


## FH1414S

Page N° 42

Accessories



 For detailed technical specification on filter cartridges, see "Replacement Cartridge" Pg A10

 When Installing, allow a minimum clearance of 75mm below the filter cartridge to allow for easy cartridge replacement.

### Technical Specifications

#### CARTRIDGE PERFORMANCE RATING

Capacity:	5000 Litres.
Pressures:	860 kPa max. 70 kPa min.
Temperature:	38°C max.

**SUPAKWIK** water heaters pty ltd

[supakwik.com](http://supakwik.com)

Sept16



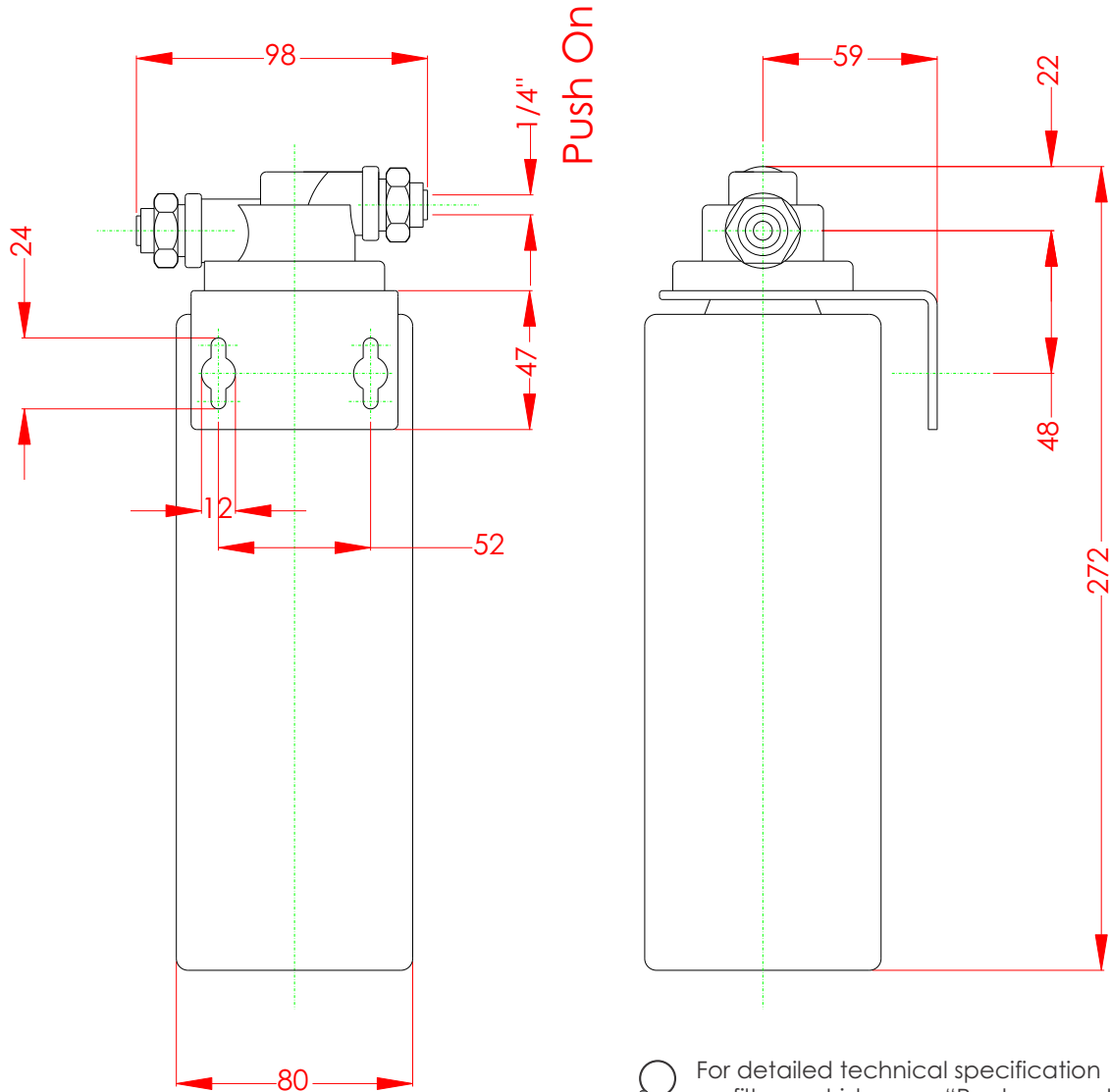
# CARTRIDGE & HEAD ASSY

5 Micron - 1/4" Push Connect Fittings

Product Code

## FH1414F

Page N° 43



Push On



For detailed technical specification on filter cartridges, see "Replacement Cartridge" Pg A10



When Installing, allow a minimum clearance of 75mm below the filter cartridge to allow for easy cartridge replacement.

Accessories

### Technical Specifications

#### CARTRIDGE PERFORMANCE RATING

Capacity:	11,250 Litres.
Pressures:	860 kPa max. 70 kPa min.
Temperature:	38°C max.

**SUPAKWIK** water heaters pty Ltd

[supakwik.com](http://supakwik.com)



# AIR BREAK

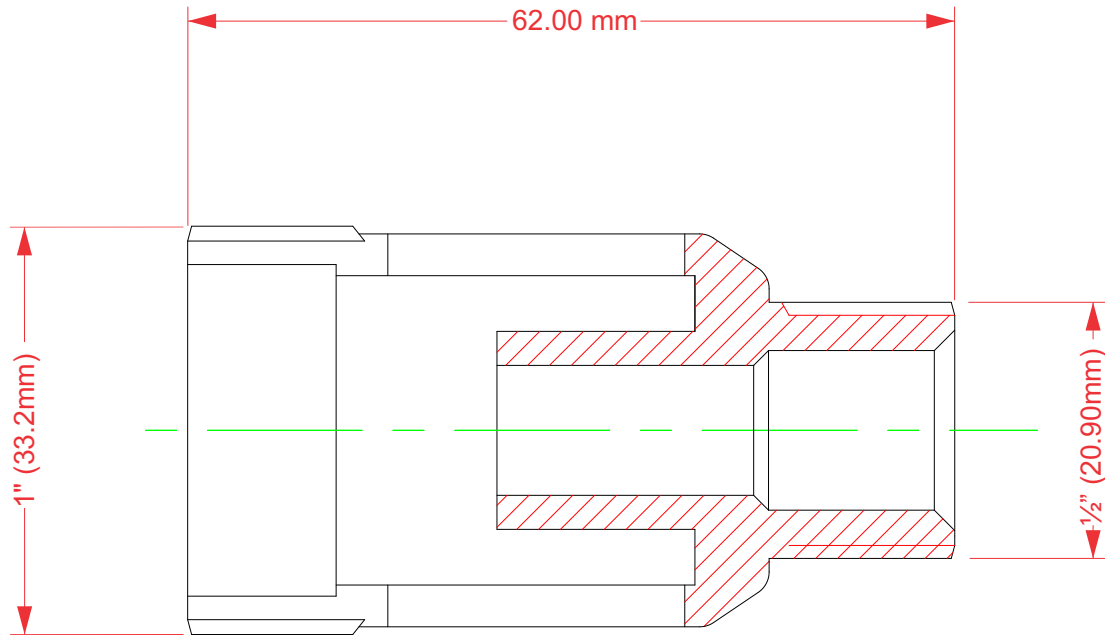
DR Brass - Chromed - 1/2" Male x 1" Male

Product Code

**AC1050**

Page N° 44

Accessories



## Technical Specifications

Supakwik Air Breaks are manufactured from DR Brass Chrome plated.

**SUPAKWIK** water heaters pty ltd



supakwik.com

Sept16



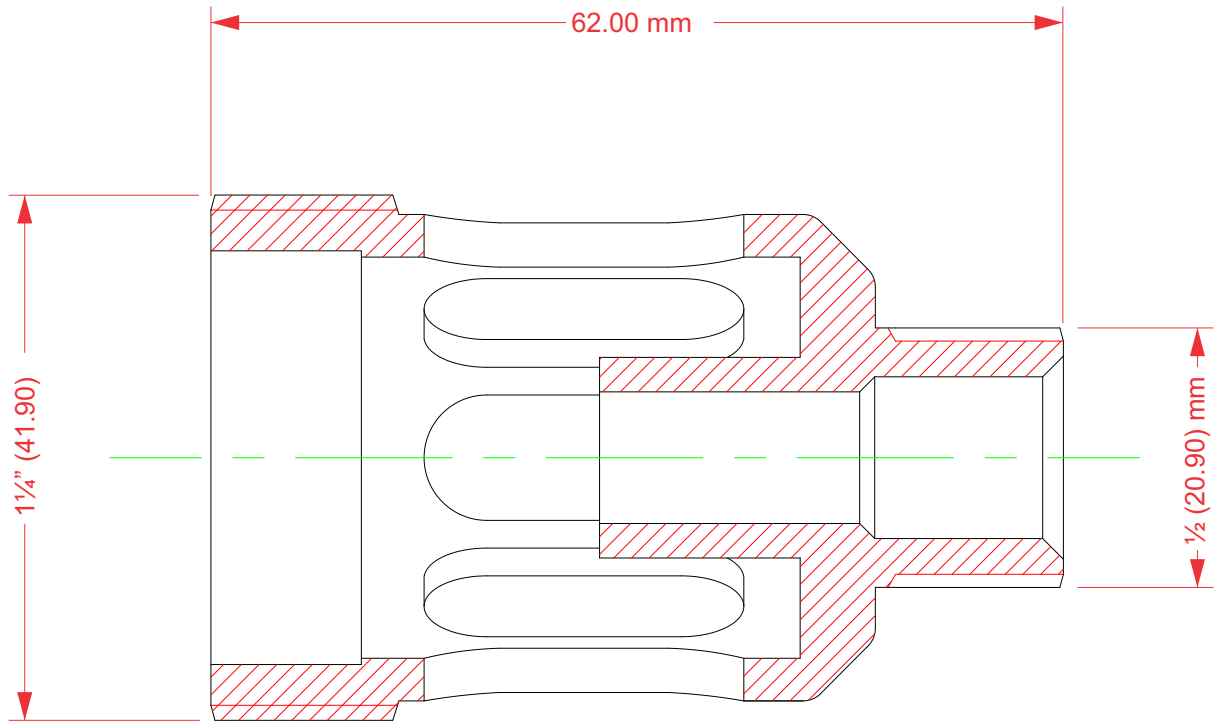
# AIR BREAK

Brass - Chromed - 1/2" Male x 1 1/4" Male

Product Code

**AC1060**

Page N° 45



Accessories



## Technical Specifications

Supakwik Air Breaks are manufactured from DR Brass, Chrome plated.

**SUPAKWIK** water heaters pty Ltd



supakwik.com

Sept16



# AIR BREAK

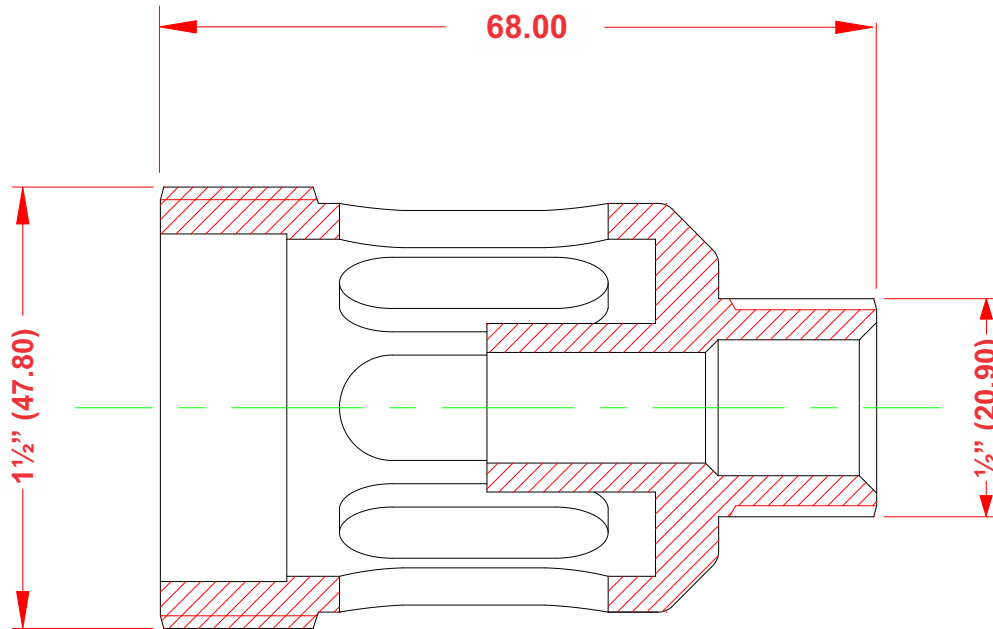
Brass - Chromed - 1/2" Male x 1 1/2" Male

Product Code

**AC1070**

Page N° 46

Accessories



## Technical Specifications

Supakwik Air Breaks are manufactured from DR Brass, Chrome plated.

**SUPAKWIK** water heaters pty ltd



supakwik.com

Sept16



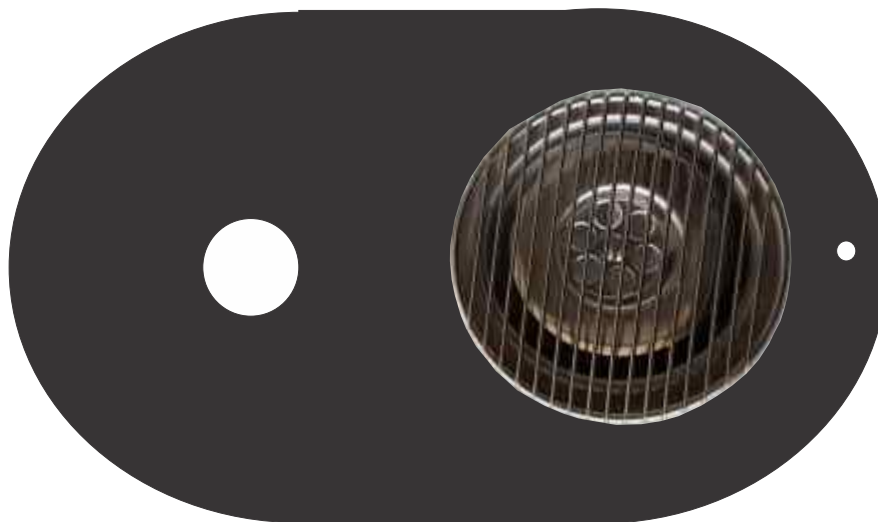
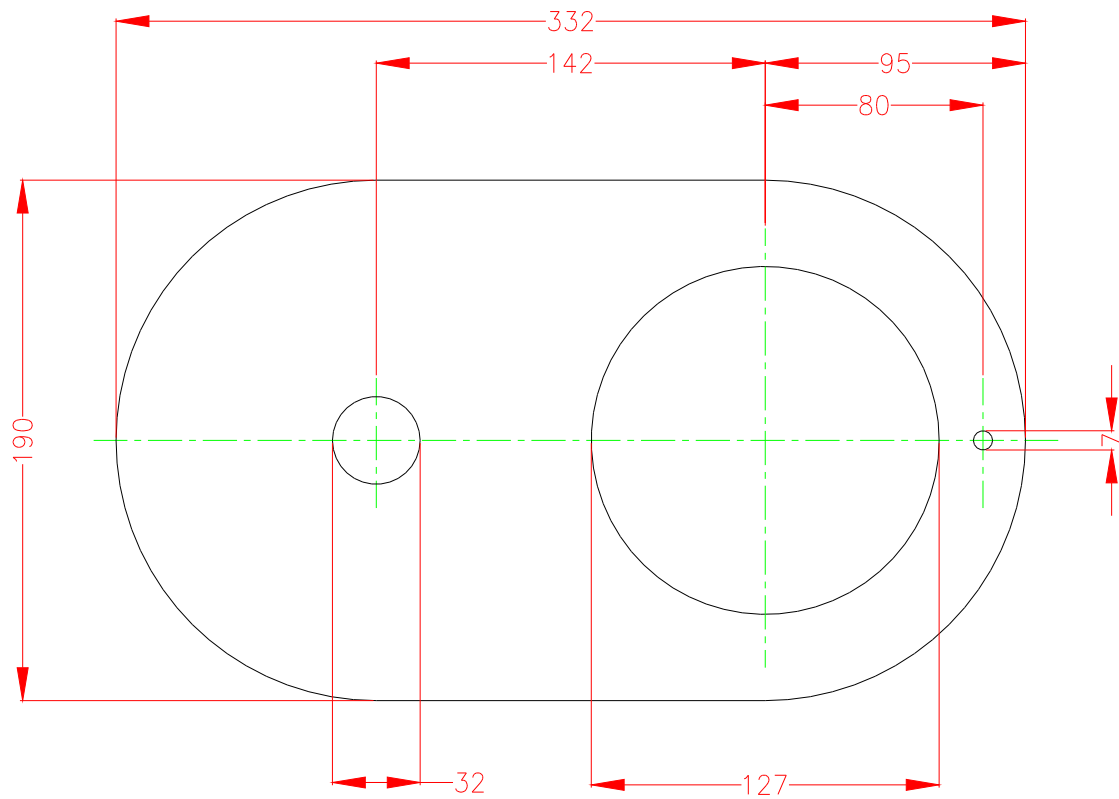
# COUNTER TOP FONT

Glass, Black complete with Drain Kit

Product Code

**CTF-GB**

Page N° 47



Accessories

### Technical Specifications

Glass counter top font supplied complete with drain kit, silicone counter top seal and drilling template.

**SUPAKWIK** water heaters pty ltd

[supakwik.com](http://supakwik.com)

Sept16



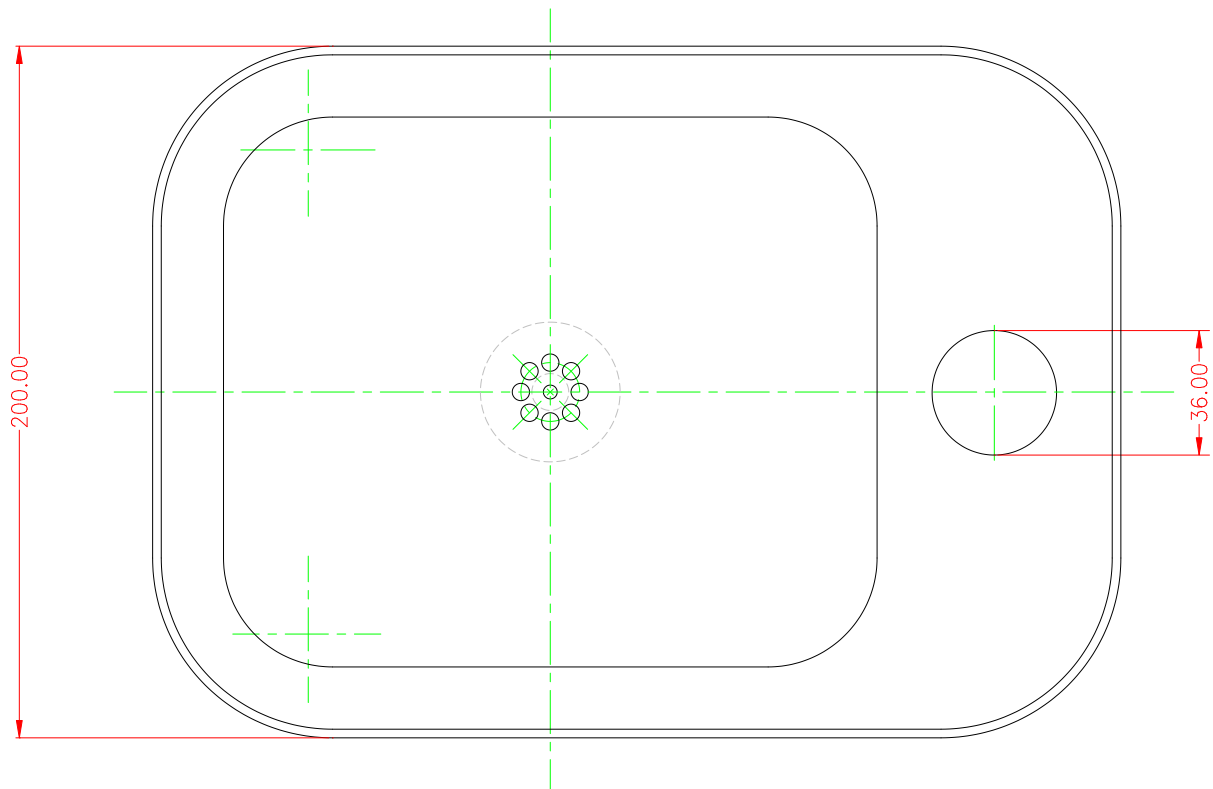
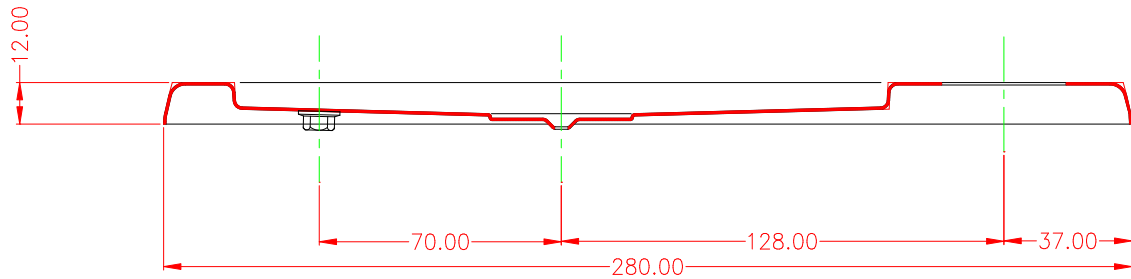
# COUNTER TOP FONT

Chrome, Complete with Drain Kit

Product Code

## CTF-SC

Page N° 48



Accessories

### Technical Specifications

Counter top font manufactured from stainless steel, supplied complete with drain kit

**SUPAKWIK** water heaters pty ltd

[supakwik.com](http://supakwik.com)

Sept16





# COUNTER TOP FONT

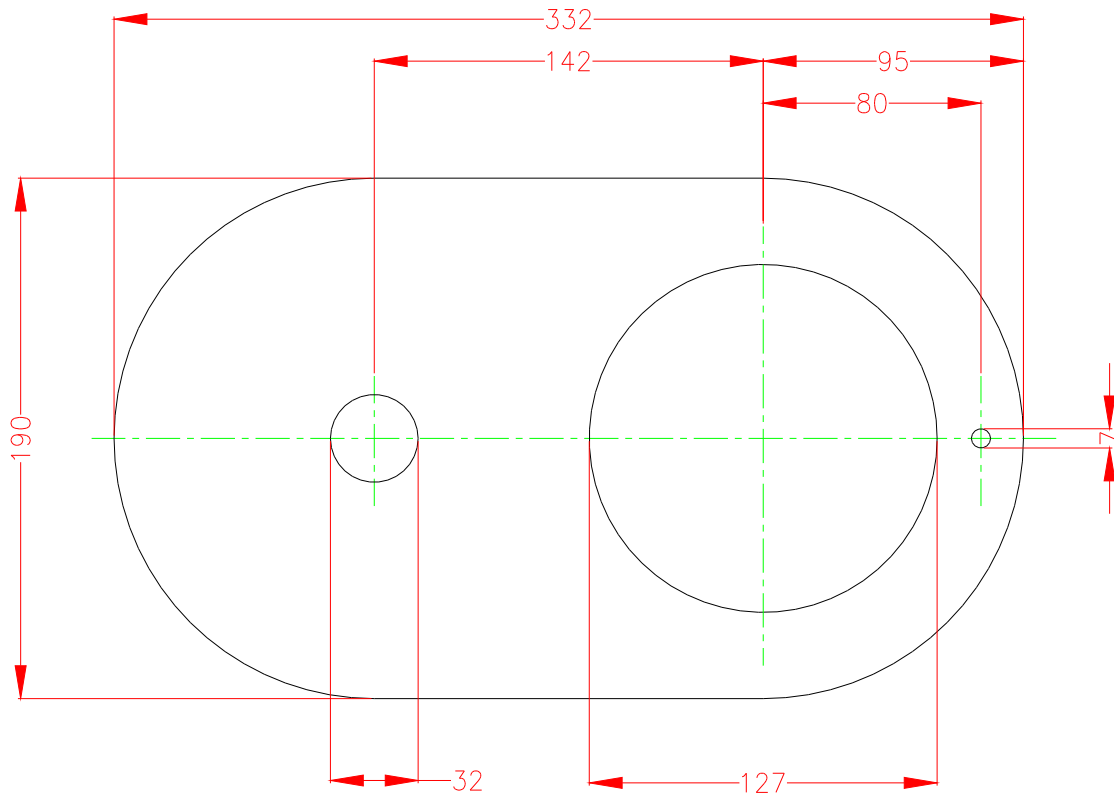
Glass, White complete with Drain Kit

Product Code

**CTF-GW**

Page N° 49

Accessories



## Technical Specifications

Glass counter top font supplied complete with drain kit, silicone counter top seal and drilling template.

**SUPAKWIK** water heaters pty ltd

[supakwik.com](http://supakwik.com)

Sept16



## OVERSINK RANGE - SUPABOIL & KWIKBOIL SERIES

Code	Description
RP0008	High Level Probe, Oversink Series
RP0021	Tap Assembly
RP0022	Solenoid Valve, Oversink (up to and including Revision F)
RP0023	Controller, Oversink S Series
RP0024	Cordset
RP0025	Tube, Silicone 1 meter
RP0030	Thermistor
RP0031	Seal Kit, Oversink, S & M Series
RP0032	Tap
RP0033	Handle Assembly
RP0034	Cap Seal Kit
RP0045	Element Assembly, 2.4 kW, 20 Cup S & M Series
RP0054	Handle Assembly - Safety
RP0075	Controller Oversink M Series

## UNDERSINK RANGE - SUPATAP SERIES

RP0053	Tap Assembly Undersink Series
RP0055	Controller Undersink Series
RP0056	High Level Probe Undersink Series
RP0057	Low Level Probe Undersink 200
RP0058	Boiler Pump
RP0060	Solenoid Valve Ambient & Chiller Undersink Series
RP0063	Pressure Limiting Valve
RP0065	Pump Silicone Tube
RP0066	Heater Silicone Tube
RP0067	Push Connect Fitting Kit

## COMMON to OVERSINK & UNDERSINK RANGE

RP0009	Level Probe Sleeve (pack of 5)
RP0018	Element Seal, Over and Undersink Series
RP0030	Thermistor
RP0046	Element Assembly, 2.4 kW, 38-160 Cup S, M & Undersink Series
RP0055	Controller Undersink Series
RP0059	Boiler Solenoid Valve (Oversink S & M Series Revision G onwards & Undersink Series)