



Supakwik Water Heaters Pty Ltd

Product Catalogue 2016 - 2017

Boiling and chilled filtered water solutions
for commercial & domestic applications

Supatap
Underbench Series



Supaboil and Kwikboil
Overbench Series



Supakwik leads the industry in bringing you Patented
Motion Detection Power
Saving Technology



WATERMARK
AS3498
Lic N° WMKA00628

RCM 4048

AUSTRALIAN MADE



Product Index

UNDERBENCH RANGE - SUPATAP

Code	Model	Description	Page
BF100	Supatap	Boil 100 Cup / Ambient Filtered Unlimited	04
BF120	Supatap	Boil 120 Cup / Ambient Filtered Unlimited	05
BF170	Supatap	Boil 170 Cup / Ambient Filtered Unlimited	06
BF200	Supatap	Boil 200 Cup / Ambient Filtered Unlimited	07
BC100/60	Supatap	Boil 100 Cup / Chill 60 Cup Filtered	08
BC120/60	Supatap	Boil 120 Cup / Chill 60 Cup Filtered	09
BC170/60	Supatap	Boil 170 Cup / Chill 60 Cup Filtered	10
BC200/60	Supatap	Boil 200 Cup / Chill 60 Cup Filtered	11
BCF170/60	Supatap	Boil 170 Cup / Chill 60 Cup / Ambient Filtered Unlimited	12
BCF200/60	Supatap	Boil 200 Cup / Chill 60 Cup / Ambient Filtered Unlimited	13

OVERBENCH RANGE - Motion Detection

Code	Model	Description	Nominal Capacity	Page
MA020	Supaboil	20 Cup - Unfiltered	3 Litre	14
MA038	Supaboil	38 Cup - Unfiltered	6 Litre	15
MA050	Supaboil	50 Cup - Unfiltered	8 Litre	16
MA020F	Supaboil	20 Cup - Filtered	3 Litre	17
MA038F	Supaboil	38 Cup - Filtered	6 Litre	18
MA050F	Supaboil	50 Cup - Filtered	8 Litre	19

OVERBENCH RANGE - Standard

Code	Model	Description	Nominal Capacity	Page
SA020	Kwikboil	20 Cup - Unfiltered	3 Litre	20
SA038	Kwikboil	38 Cup - Unfiltered	6 Litre	21
SA050	Kwikboil	50 Cup - Unfiltered	8 Litre	22
SA075	Kwikboil	75 Cup - Unfiltered	12 Litre	23
SA100	Kwikboil	100 Cup - Unfiltered	16 Litre	24
SA160	Kwikboil	160 Cup - Unfiltered	25 Litre	25
SA020F	Kwikboil	20 Cup - Filtered	3 Litre	26
SA038F	Kwikboil	38 Cup - Filtered	6 Litre	27
SA050F	Kwikboil	50 Cup - Filtered	8 Litre	28
SA075F	Kwikboil	75 Cup - Filtered	12 Litre	29
SA100F	Kwikboil	100 Cup - Filtered	16 Litre	30
SA160F	Kwikboil	160 Cup - Filtered	25 Litre	31

CHILLED WATER

Code	Model	Description	Page
UB7035F	Chiller	Under Bench - 60 glass per hour - 5 Micron Filtration	32
UB7035S	Chiller	Under Bench - 60 glass per hour - ½ Micron Filtration	33

AMBIENT WATER

Code	Model	Description	Page
ATG02S	Supakwik	Ambient Water Kit - Goose Neck Tap - ½ Micron Filtration	34
ATL02S	Supakwik	Ambient Water Kit - Long Reach Tap - ½ Micron Filtration	35



Product Index

TUNDISH

Code	Model	Description	Page
T18020	Supakwik	Counter Top Mounted - Brass Chrome Plated	36
T09020	Supakwik	Wall Mounted - Brass Chrome Plated	37

FILTRATION

Code	Description	Page
F02F	Filter Cartridge - 5 Micron - Bayonette Style	38
S02F	Filter Cartridge - ½ Micron - Bayonette Style	39
FH1212F	Filter Cartridge - 5 Micron & Head Assembly ½" BSP	40
FH1212S	Filter Cartridge - ½ Micron & Head Assembly ½" BSP	41
FH1414F	Filter Cartridge - 5 Micron & Head Assembly ¼" BSP	42
FH1414S	Filter Cartridge - ½ Micron & Head Assembly ¼" BSP	43

AIR BREAKS

Code	Model	Description	Page
AC1050	Supakwik	Air Break - Chromed Brass - ½" Male x 1" Male	44
AC1060	Supakwik	Air Break - Chromed Brass - ½" Male x 1¼" Male	45
AC1070	Supakwik	Air Break - Chromed Brass - ½" Male x 1½" Male	46

COUNTER TOP FONTS

Code	Model	Description	Page
CTF-GB	Supakwik	Glass Font, Black, Complete with Drain Kit	47
CTF-GW	Supakwik	Glass Font, White, Complete with Drain Kit	48
CTF-SC	Supakwik	Chrome Font, Complete with Drain Kit	49

SPARE PARTS

Page 50



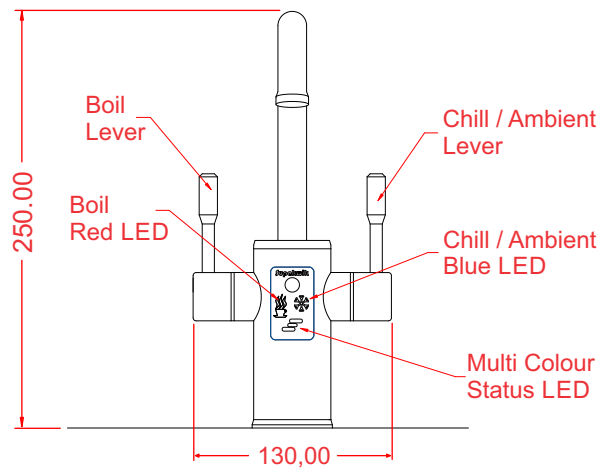
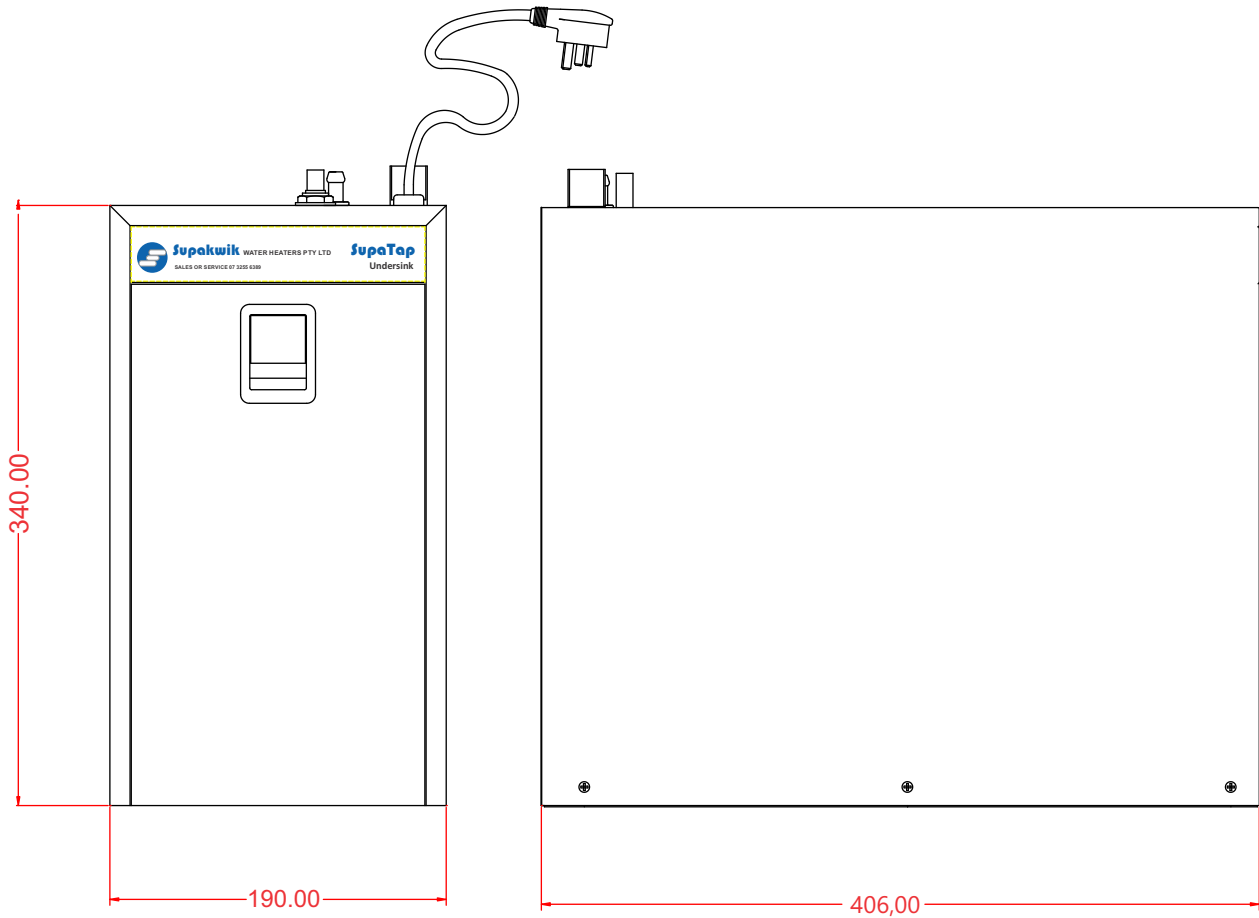
Supatap - Motion Series
Underbench - 100 Cup - Filtered

Product Code

BF100

Page N° **04**

BF SERIES



Technical Specifications

Nominal Capacity:	2,5 Litres
Recovery Rating:	150 Cups per hour.
Supply Rating:	10 Amps @ 240 Volt.
Service Rating:	100 -1000 kPa.
Weight:	11,5 Kg.(dry)

Cup Size = 167 ml

SUPAKWIK water heaters pty ltd

3/61 Boyland Avenue,
Coopers Plains
Brisbane. Phone 07 3255 6389
Qld 4108. Fax 07 3255 6387

www.supakwik.com

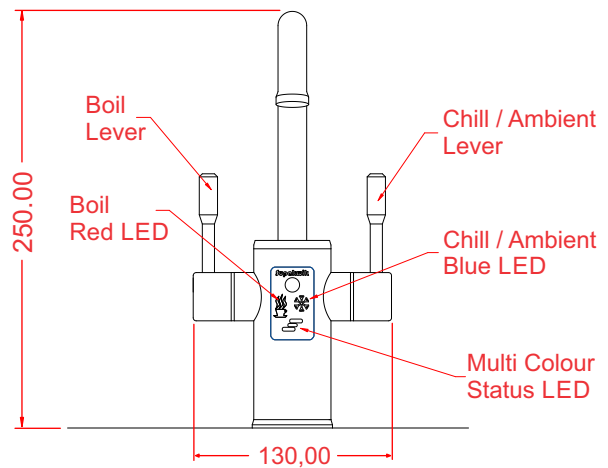
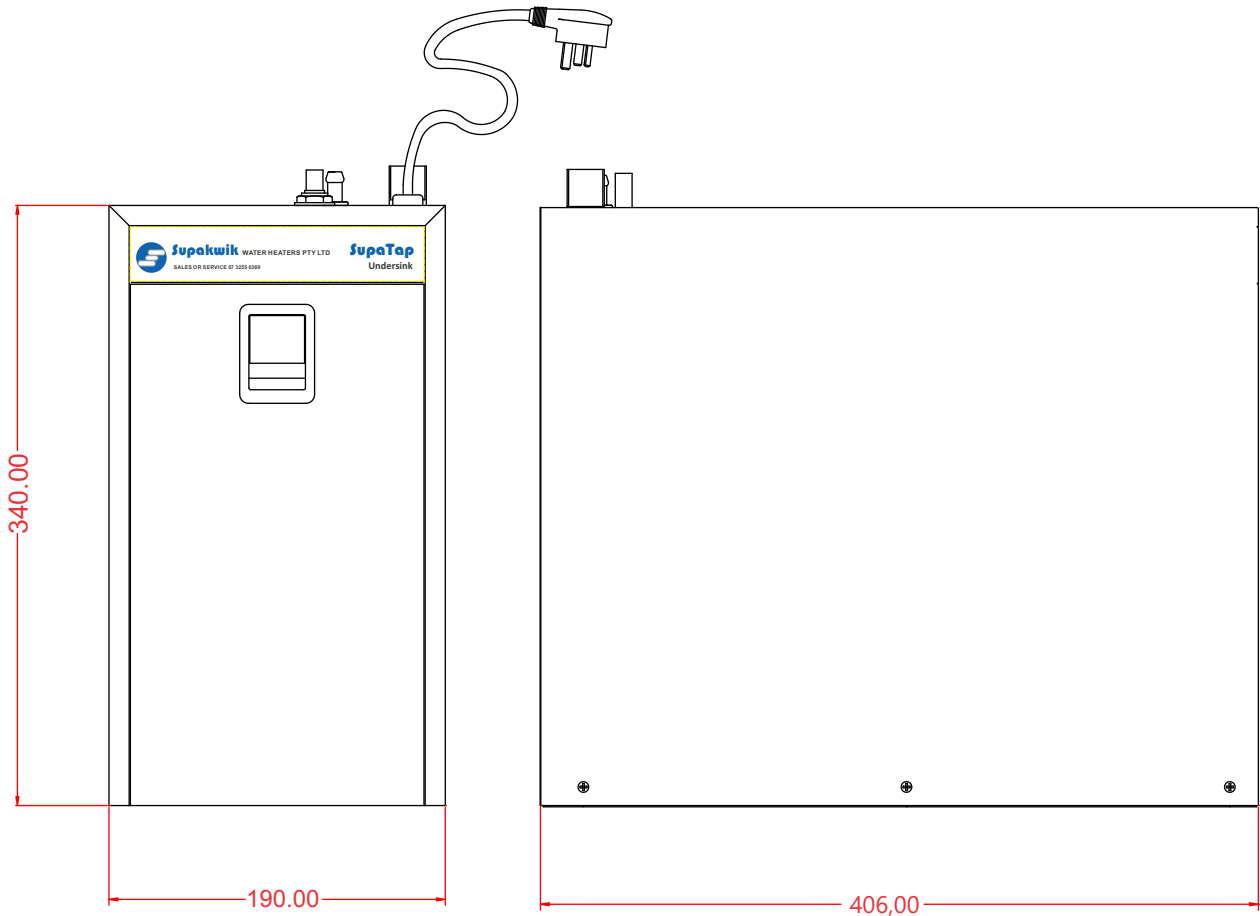


Supatap - Motion Series
Underbench - 120 Cup - Filtered

Product Code
BF120

Page N° 05

BF SERIES



Technical Specifications

Nominal Capacity:	3,0 Litres
Recovery Rating:	150 Cups per hour.
Supply Rating:	10 Amps @ 240 Volt.
Service Rating:	100 -1000 kPa.
Weight:	12,0 Kg.(dry)

Cup Size = 167 ml

SUPAKWIK water heaters pty ltd

3/61 Boyland Avenue,
Coopers Plains
Brisbane. Phone 07 3255 6389
Qld 4108. Fax 07 3255 6387

www.supakwik.com



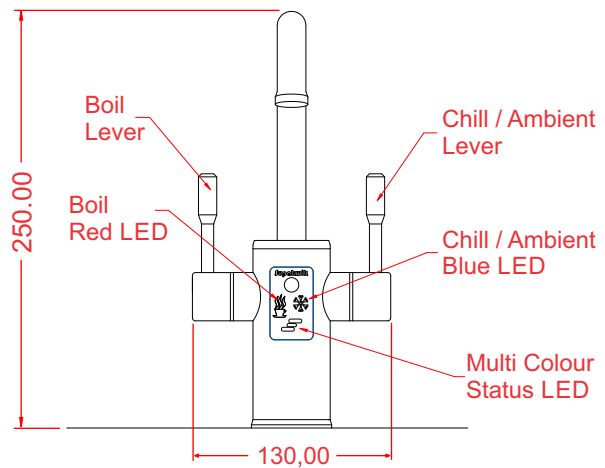
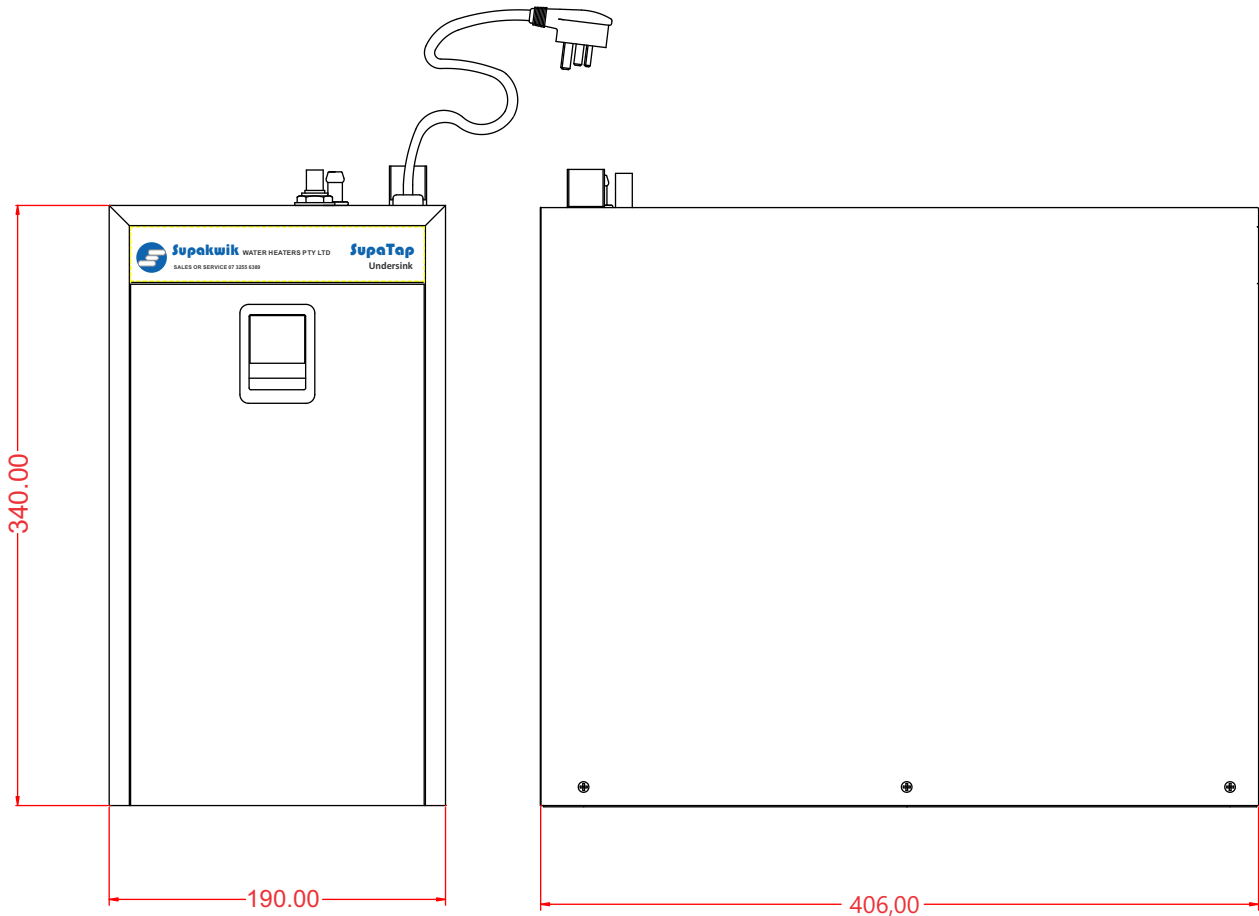
Supatap - Motion Series
Underbench - 170 Cup - Filtered

Product Code

BF170

Page N° 06

BF SERIES



Technical Specifications

Nominal Capacity:	4,0 Litres
Recovery Rating:	150 Cups per hour.
Supply Rating:	10 Amps @ 240 Volt.
Service Rating:	100 -1000 kPa.
Weight:	12,5 Kg.(dry)

Cup Size = 167 ml

SUPAKWIK water heaters pty ltd

3/61 Boyland Avenue,
Coopers Plains
Brisbane. Phone 07 3255 6389
Qld 4108. Fax 07 3255 6387

www.supakwik.com

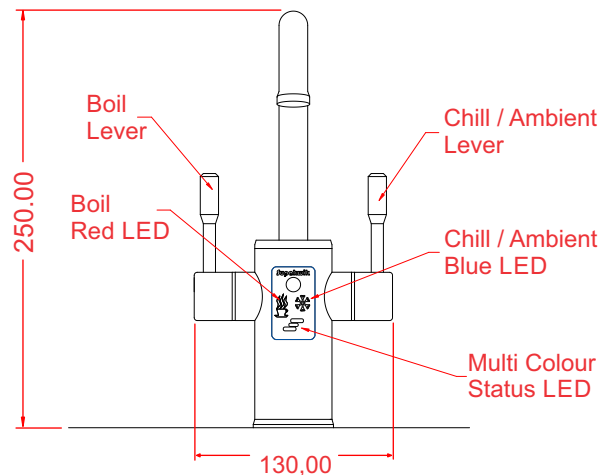
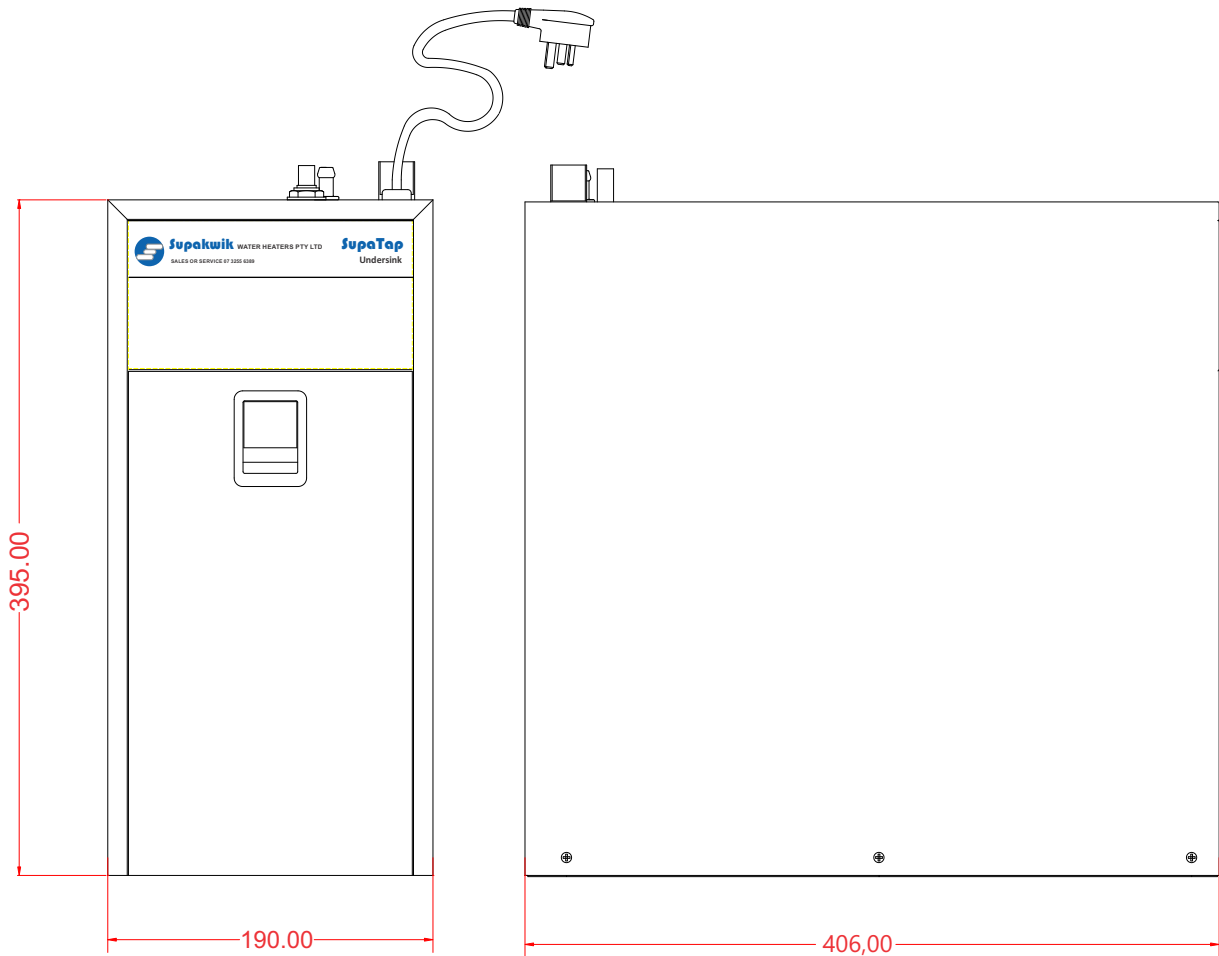


Supatap - Motion Series
Underbench - 200 Cup - Filtered

Product Code
BF200

Page N° 07

BF SERIES



Technical Specifications

Nominal Capacity:	6,0 Litres
Recovery Rating:	150 Cups per hour.
Supply Rating:	10 Amps @ 240 Volt.
Service Rating:	100 -1000 kPa.
Weight:	13,0 Kg.(dry)

Cup Size = 167 ml

SUPAKWIK water heaters pty ltd

3/61 Boyland Avenue,
Coopers Plains
Brisbane. Phone 07 3255 6389
Qld 4108. Fax 07 3255 6387

www.supakwik.com



Supatap - Motion Series

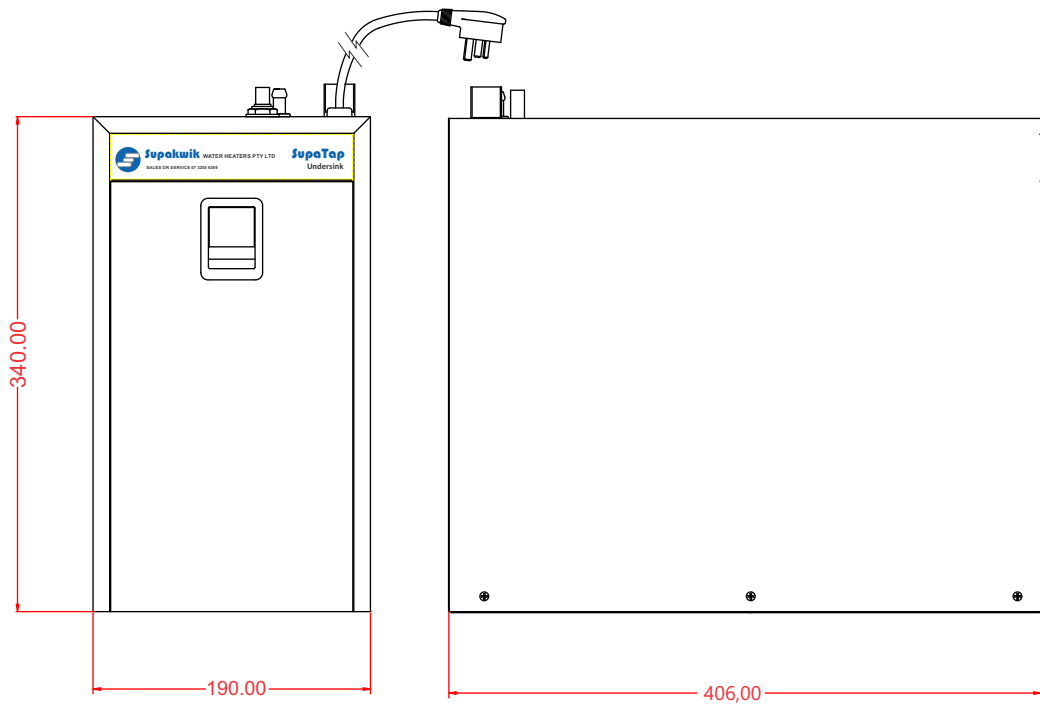
Underbench - 100 Cup Boil - 6 L Chilled

Product Code

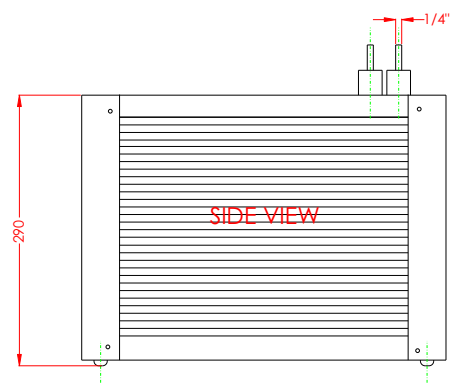
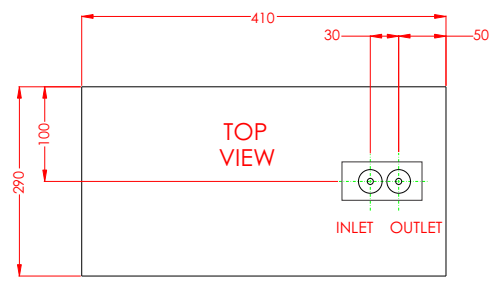
BC100/60

Page N° 08

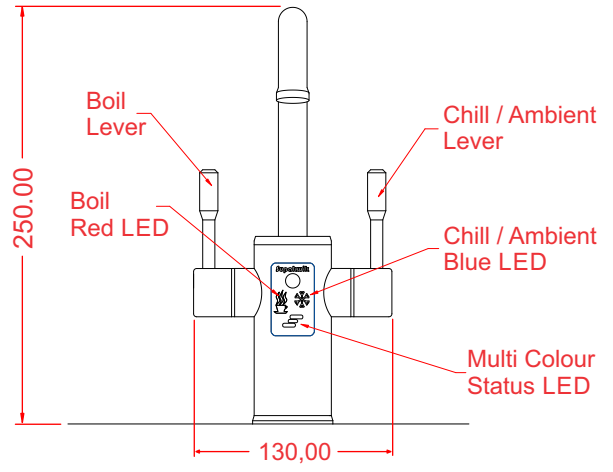
BC SERIES



Boiler



Chiller



Combination Tap

Technical Specifications

Heater:		Chiller:	
Nominal Capacity:	2,5 Litres	1,9 Litres	
Recovery Rating:	150 Cups per hour.	6 Litres per hour.	
Supply Rating:	10 Amps @ 240 Volt.	0,75 Amps @ 240 Volt.	
Service Rating:	100 -1000 kPa.	100 -1000 kPa.	
Weight:	11,5 Kg.(dry)	12,5 Kg.(dry)	

Cup Size = 167 ml

SUPAKWIK water heaters pty ltd

3/61 Boyland Avenue,
Coopers Plains
Brisbane. Phone 07 3255 6389
Qld 4108. Fax 07 3255 6387

www.supakwik.com

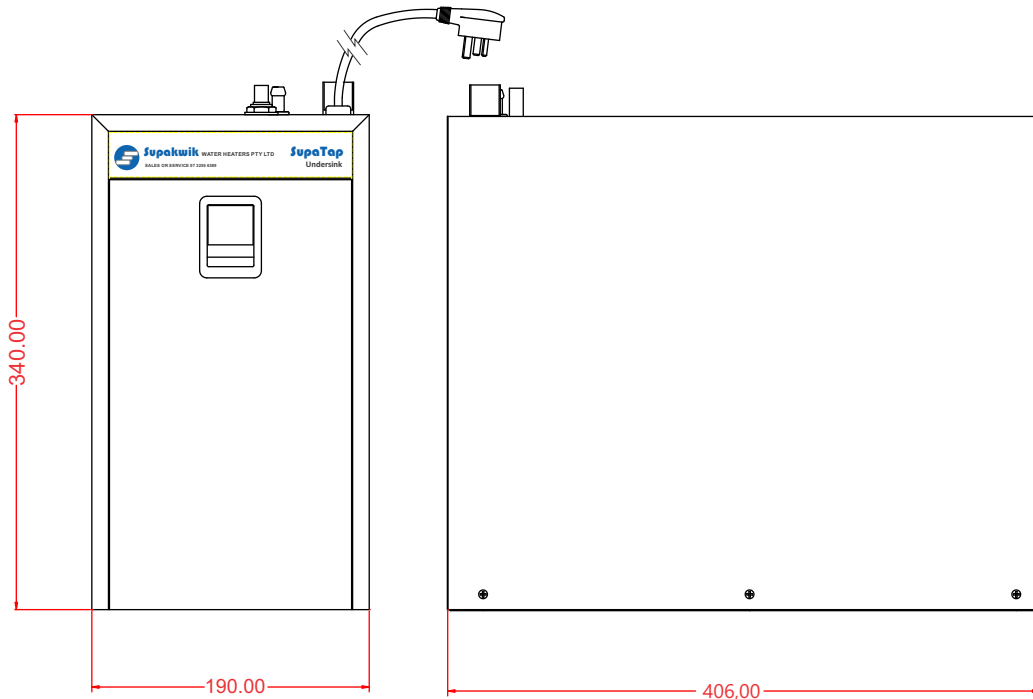


Supatap - Motion Series

Underbench - 120 Cup Boil - 6 L Chilled

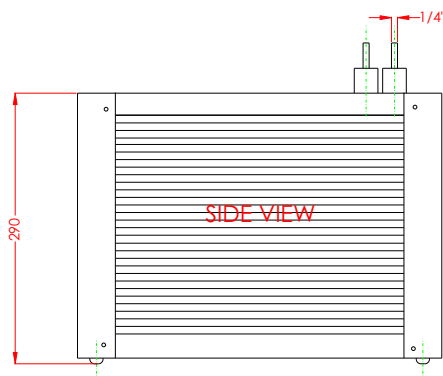
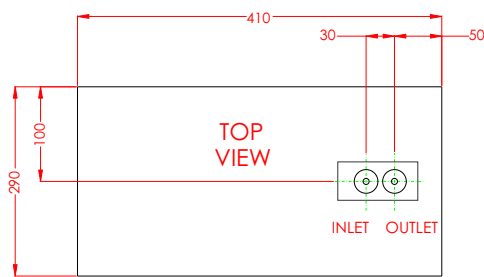
Product Code
BC120/60

Page N° 09

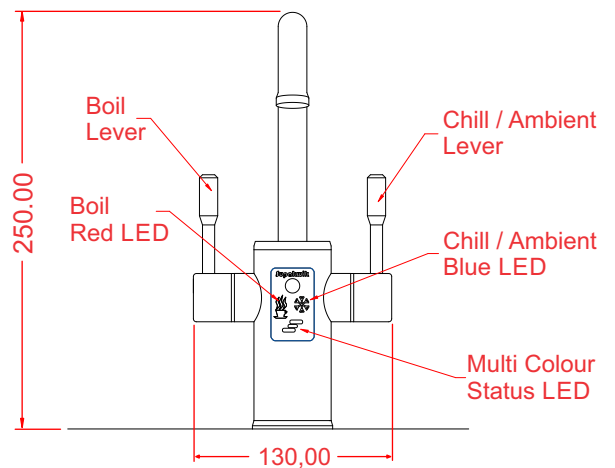


Boiler

BC SERIES



Chiller



Combination Tap

Technical Specifications

Heater:

Nominal Capacity: 3,0 Litres
 Recovery Rating: 150 Cups per hour.
 Supply Rating: 10 Amps @ 240 Volt.
 Service Rating: 100 -1000 kPa.
 Weight: 12,0 Kg.(dry)

Chiller:

1,9 Litres
 6 Litres per hour.
 0,75 Amps @ 240 Volt.
 100 -1000 kPa.
 12,5 Kg.(dry)

Cup Size = 167 ml

SUPAKWIK water heaters pty Ltd

3/61 Boyland Avenue,
Coopers Plains

Brisbane. Phone 07 3255 6389
 Qld 4108. Fax 07 3255 6387

www.supakwik.com



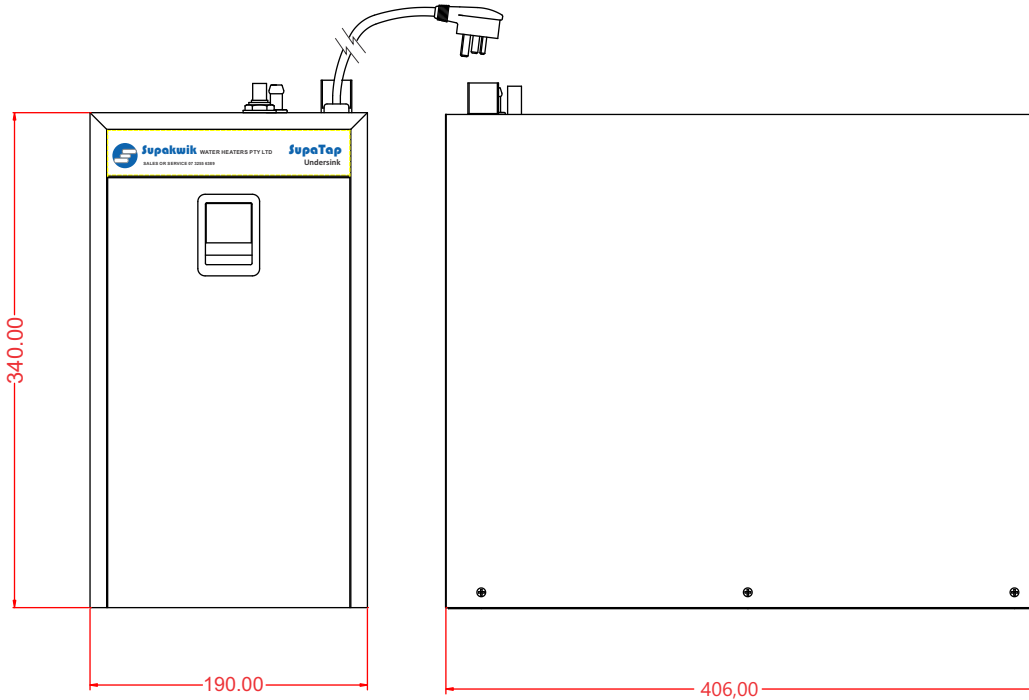
Supatap - Motion Series

Underbench - 170 Cup Boil - 6 L Chilled

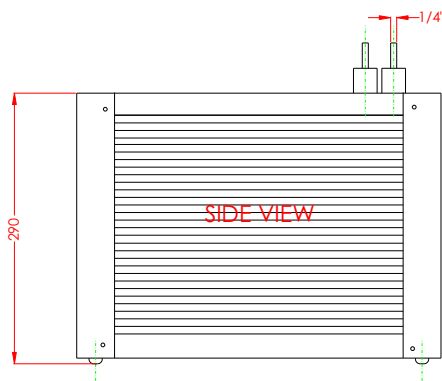
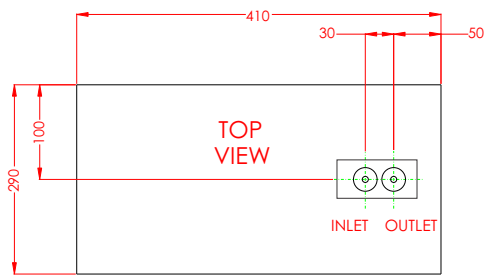
Product Code
BC170/60

Page N° 10

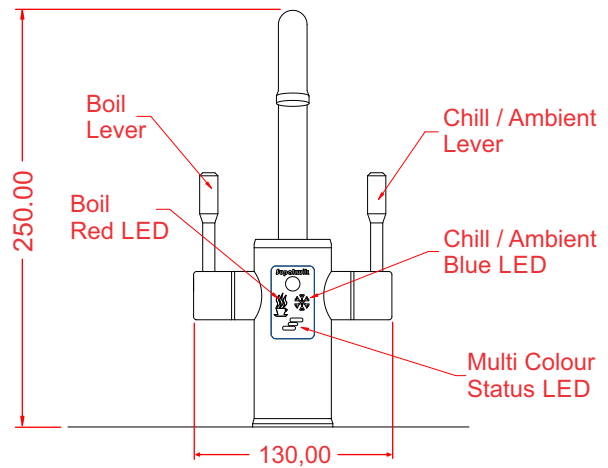
BC SERIES



Boiler



Chiller



Combination Tap

Technical Specifications

Heater:

Nominal Capacity: 4,0 Litres
 Recovery Rating: 150 Cups per hour.
 Supply Rating: 10 Amps @ 240 Volt.
 Service Rating: 100 -1000 kPa.
 Weight: 12,5 Kg.(dry)

Chiller:

1,9 Litres
 6 Litres per hour.
 0,75 Amps @ 240 Volt.
 100 -1000 kPa.
 12,5 Kg.(dry)

Cup Size = 167 ml

SUPAKWIK water heaters pty ltd

3/61 Boyland Avenue,
Coopers Plains

Brisbane. Phone 07 3255 6389
 Qld 4108. Fax 07 3255 6387

www.supakwik.com



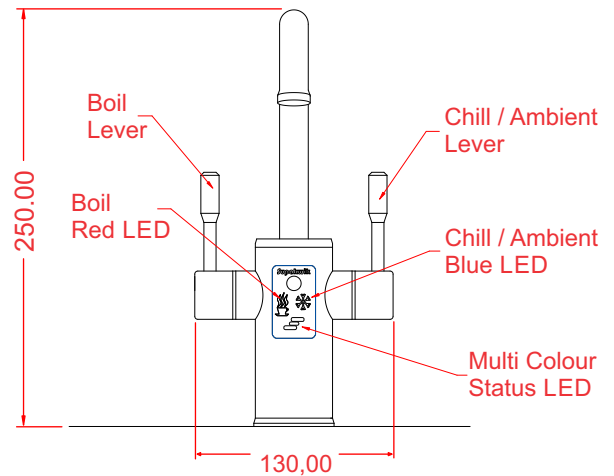
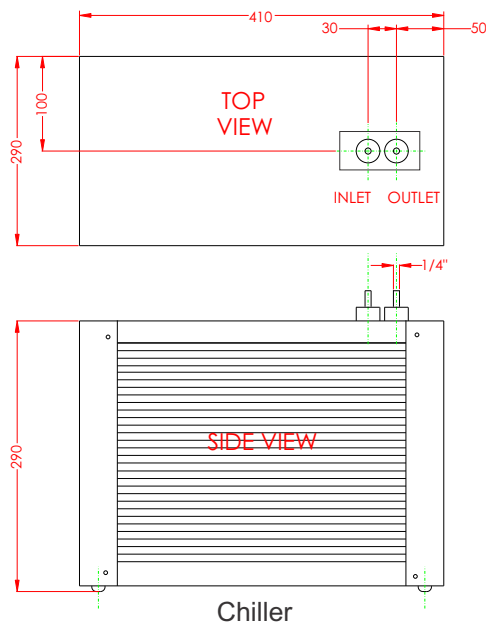
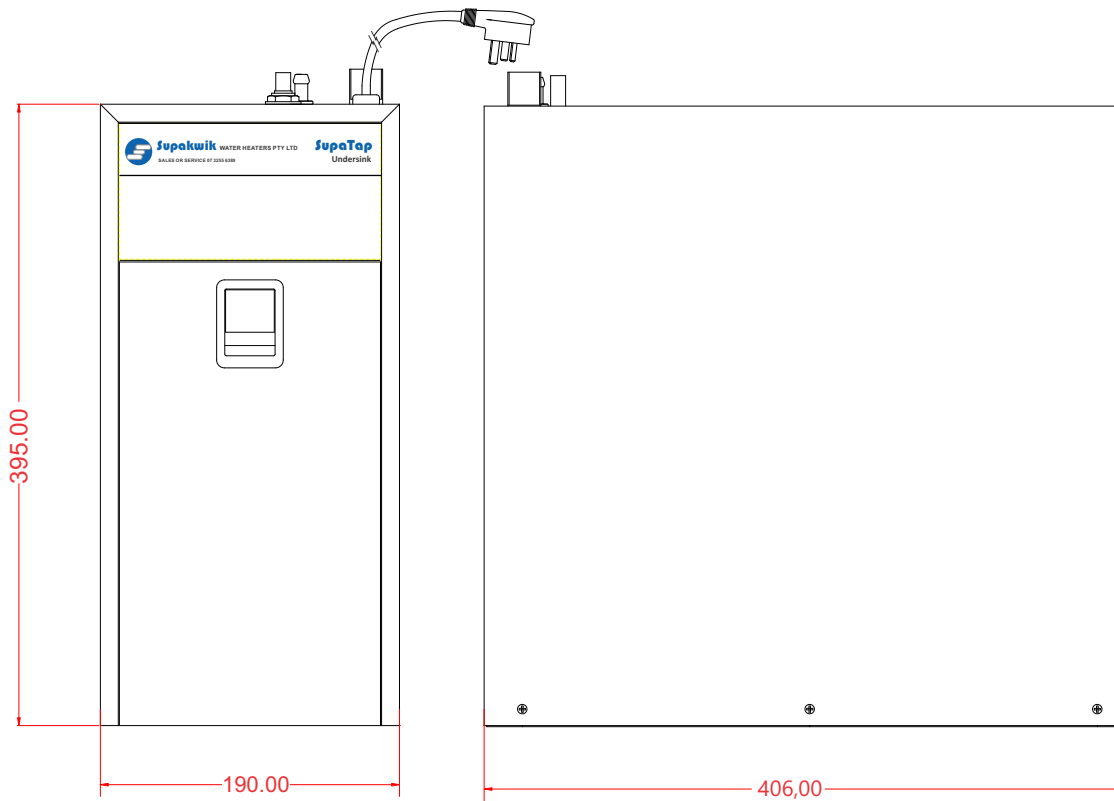
Supatap - Motion Series

Underbench - 200 Cup Boil - 6 L Chilled

Product Code
BC200/60

Page N° 11

BC SERIES



Heater:

Nominal Capacity: 6,0 Litres
 Recovery Rating: 150 Cups per hour.
 Supply Rating: 10 Amps @ 240 Volt.
 Service Rating: 100 -1000 kPa.
 Weight: 13,0 Kg.(dry)

Chiller:

1,9 Litres
 6 Litres per hour.
 0,75 Amps @ 240 Volt.
 100 -1000 kPa.
 12,5 Kg.(dry)

Cup Size = 167 ml

SUPAKWIK water heaters pty Ltd

3/61 Boyland Avenue,
Coopers Plains

Brisbane. Phone 07 3255 6389
 Qld 4108. Fax 07 3255 6387

www.supakwik.com

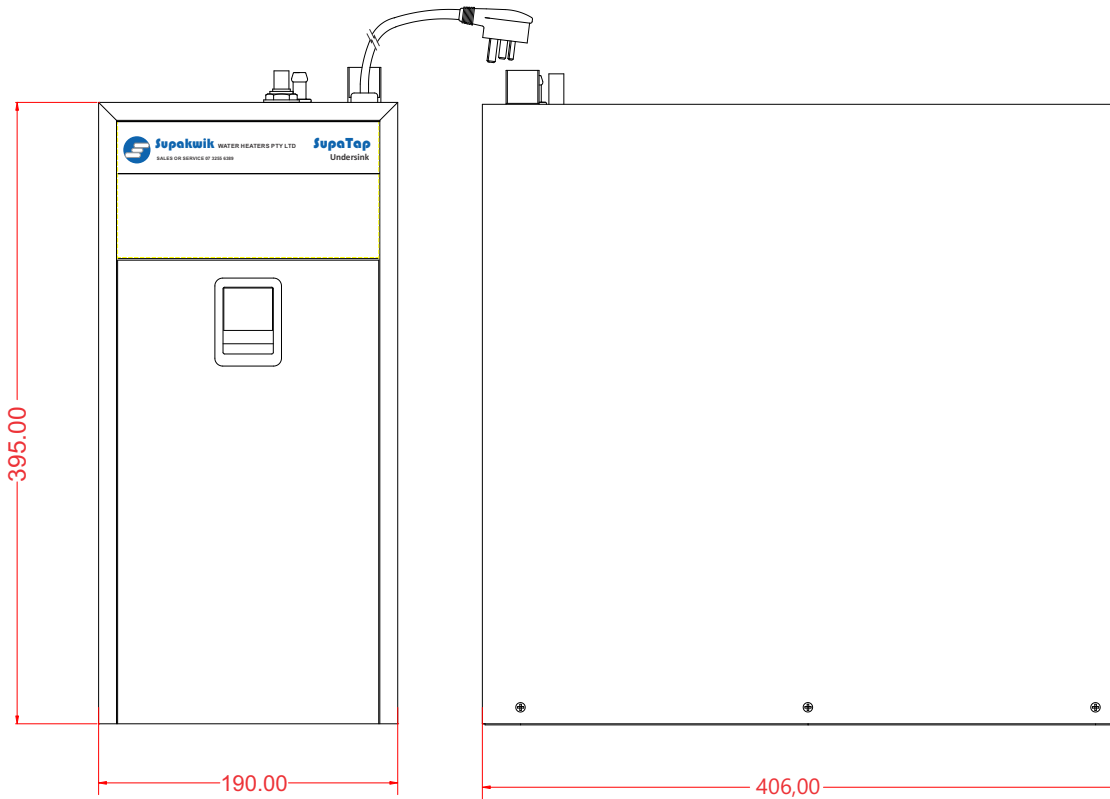


Supatap - Motion Series
Underbench - 170 Cup Boil - 6 L Chilled
Unlimited Ambient

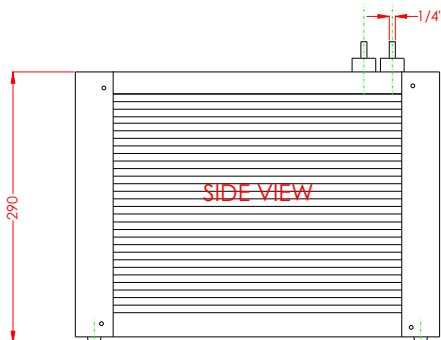
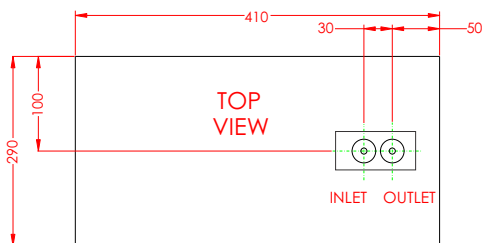
Product Code
BCF170/60

Page N° 12

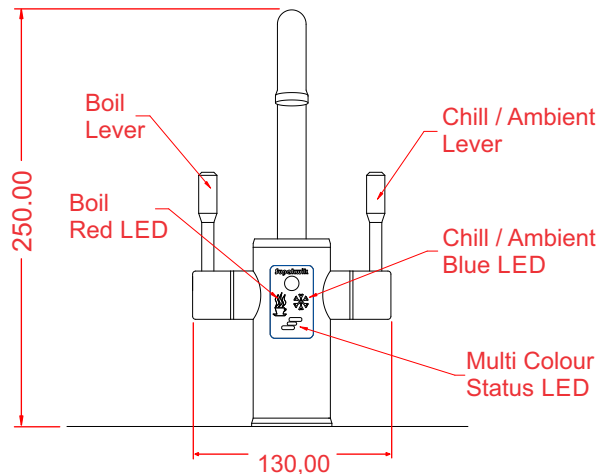
BCF SERIES



Boiler
Ambient



Chiller



Heater:

Nominal Capacity: 6,0 Litres
Recovery Rating: 150 Cups per hour.
Supply Rating: 10 Amps @ 240 Volt.
Service Rating: 100 -1000 kPa.
Weight: 12,5 Kg.(dry)

Chiller:

1,9 Litres
6 Litres per hour.
0,75 Amps @ 240 Volt.
100 -1000 kPa.
12,5 Kg.(dry)

Cup Size = 167 ml

SUPAKWIK water heaters pty ltd

3/61 Boyland Avenue,
Coopers Plains

Brisbane.
Qld 4108.

Phone 07 3255 6389
Fax 07 3255 6387

www.supakwik.com

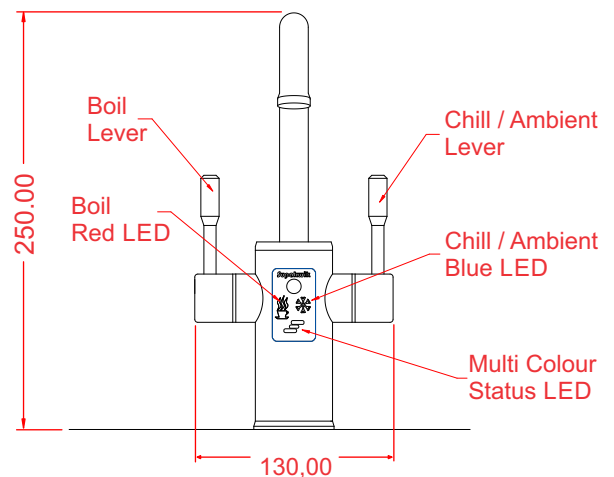
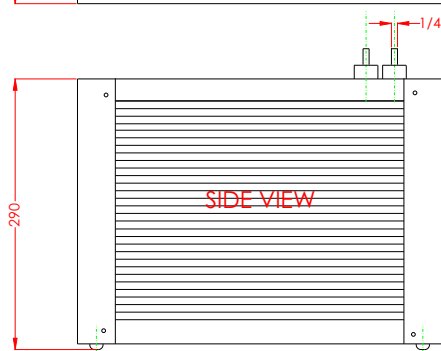
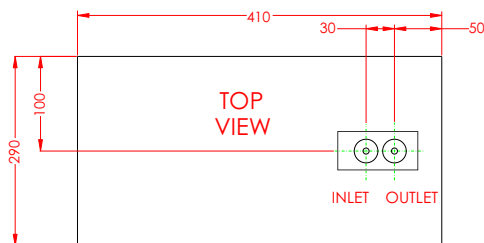
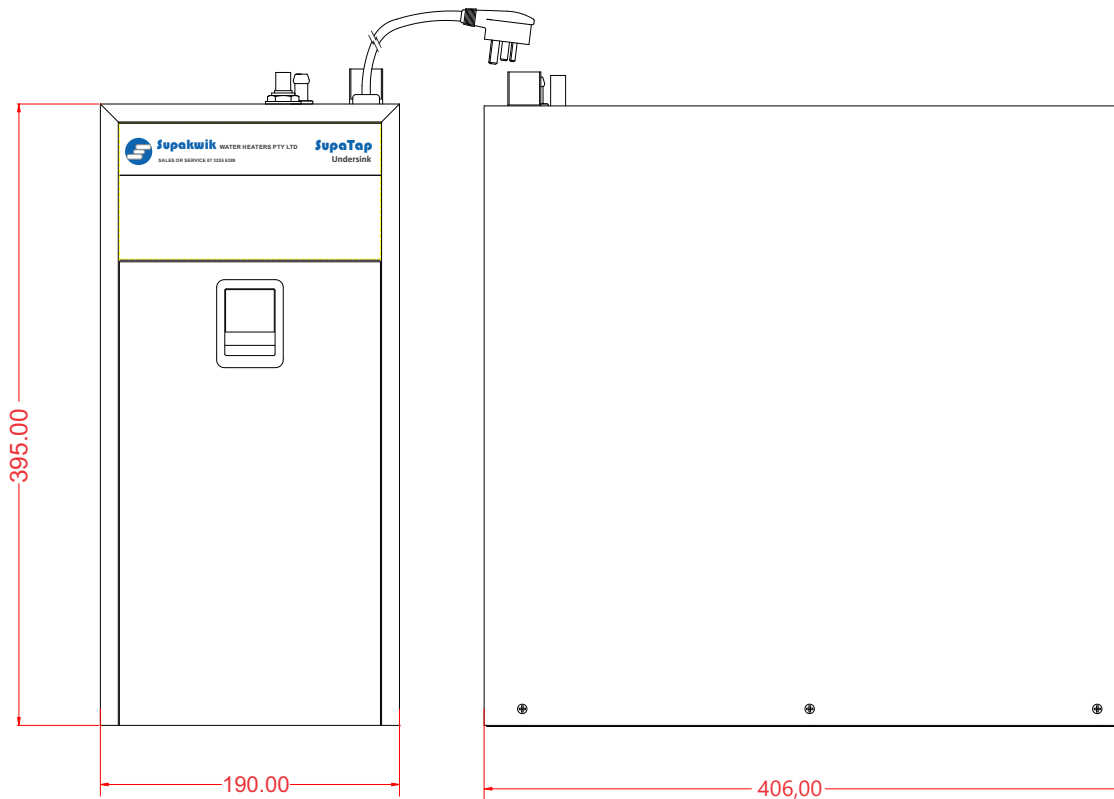


Supatap - Motion Series
Underbench - 200 Cup Boil - 6 L Chilled
Unlimited Ambient

Product Code
BCF200/60

Page N° 13

BCF SERIES



Heater:

Nominal Capacity: 6,0 Litres
 Recovery Rating: 150 Cups per hour.
 Supply Rating: 10 Amps @ 240 Volt.
 Service Rating: 100 -1000 kPa.
 Weight: 13,0 Kg.(dry)

Chiller:

1,9 Litres
 6 Litres per hour.
 0,75 Amps @ 240 Volt.
 100 -1000 kPa.
 12,5 Kg.(dry)

Cup Size = 167 ml

SUPAKWIK water heaters pty Ltd

**3/61 Boyland Avenue,
 Coopers Plains**

**Brisbane. Phone 07 3255 6389
 Qld 4108. Fax 07 3255 6387**

www.supakwik.com



SUPABOIL - MOTION SERIES

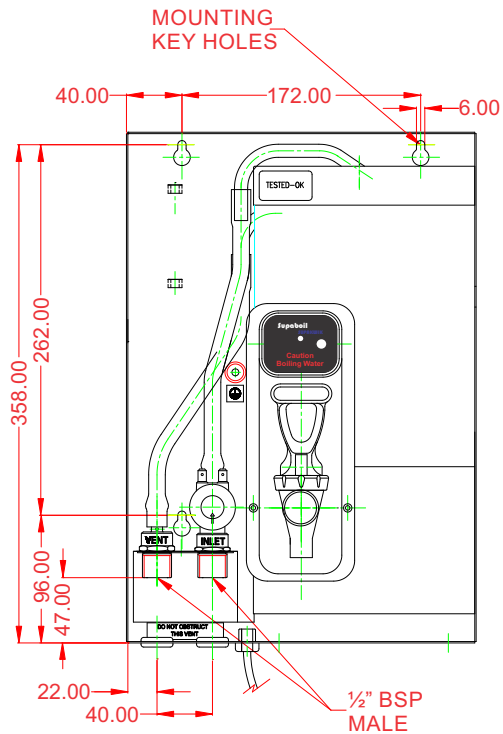
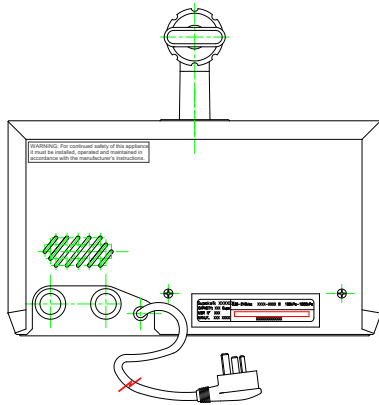
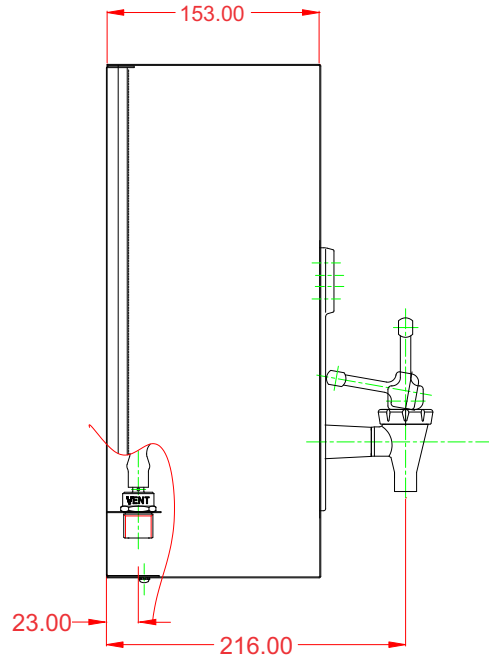
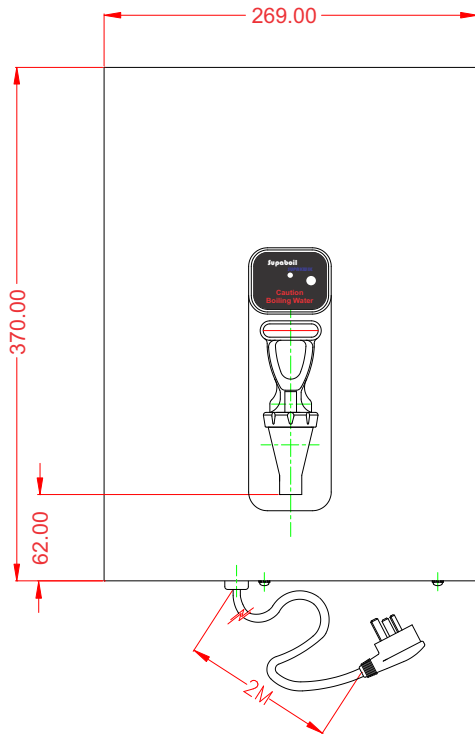
20 Cup, White - Unfiltered

Product Code

MA020

Page N° 14

M SERIES



Controls & Electrical Circuitry removed for clarity

Technical Specifications

Nominal Capacity:	3 Litres
Recovery Rating:	150 Cups per hour.
Supply Rating:	10 Amps @ 240 Volt.
Service Rating:	20-1000 kPa.
Weight:	5,5 Kg.(dry) 8,6 Kg.(full)

Cup Size = 167 ml

SUPAKWIK water heaters pty ltd

3/61 Boyland Avenue,
Coopers Plains
Brisbane. Phone 07 3255 6389
Qld 4108. Fax 07 3255 6387

www.supakwik.com



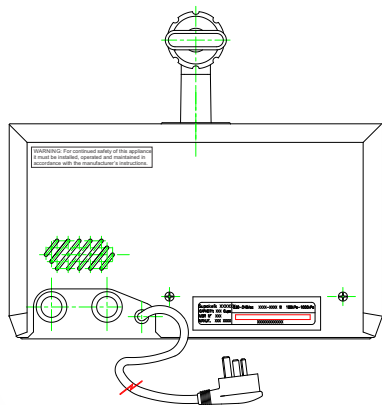
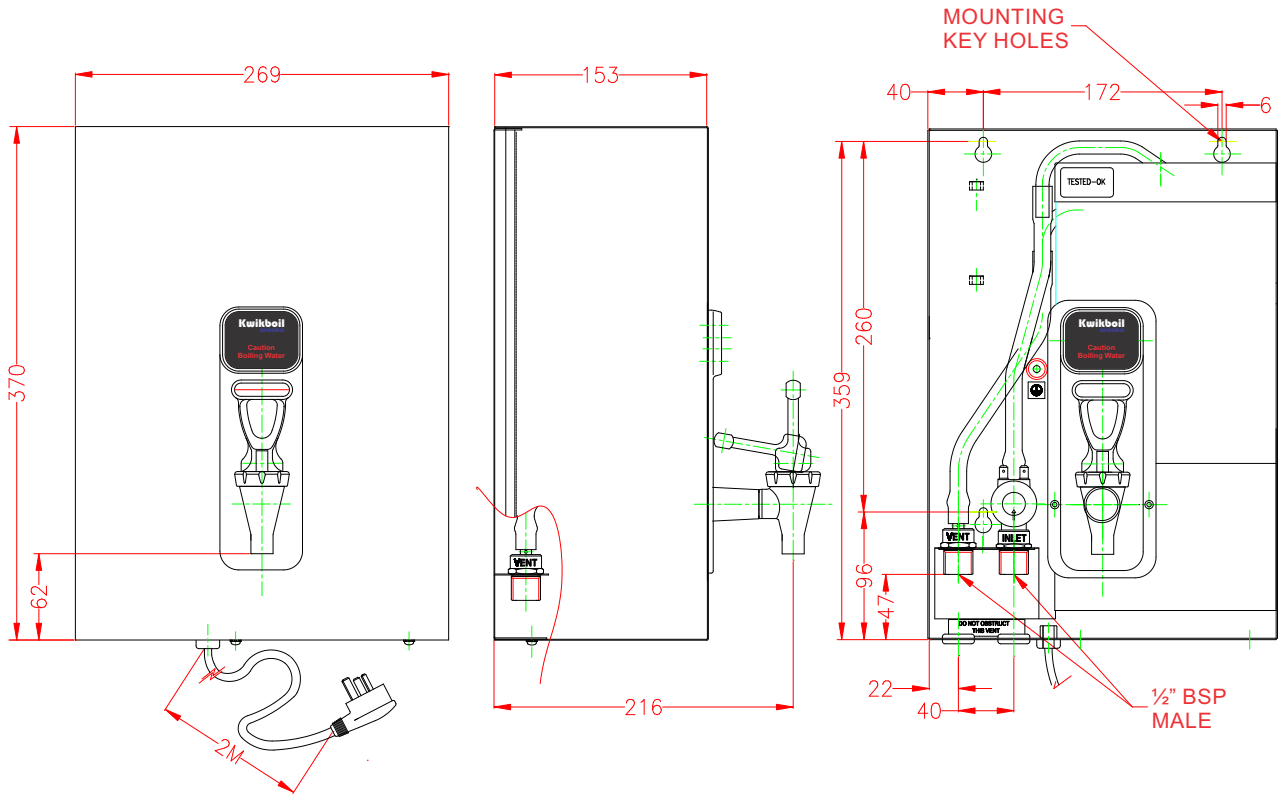
SUPABOIL - MOTION SERIES

20 Cup, White - Filtered

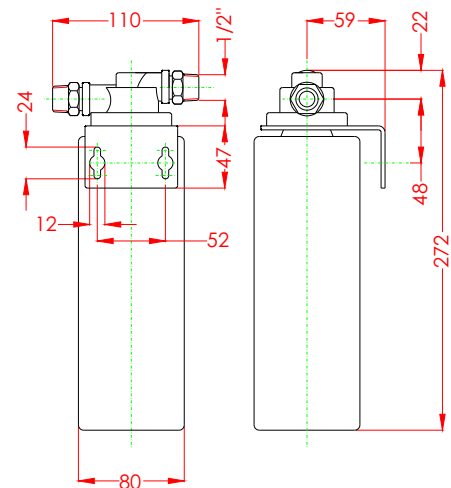
Product Code

MA020F

Page N° 15



Controls & Electrical Circuitry removed for clarity



600 kPa Pressure Limiting Valve must be installed to safe guard filter.

M SERIES

Technical Specifications

Nominal Capacity:	3 Litres
Recovery Rating:	150 Cups per hour.
Supply Rating:	10 Amps @ 240 Volt.
Service Rating:	20-1000 kPa.
Weight:	5,5 Kg.(dry) 8,6 Kg.(full)

Cup Size = 167 ml

SUPAKWIK water heaters pty Ltd

3/61 Boyland Avenue,
Coopers Plains

Brisbane. Phone 07 3255 6389
Qld 4108. Fax 07 3255 6387

www.supakwik.com



SUPABOIL - MOTION SERIES

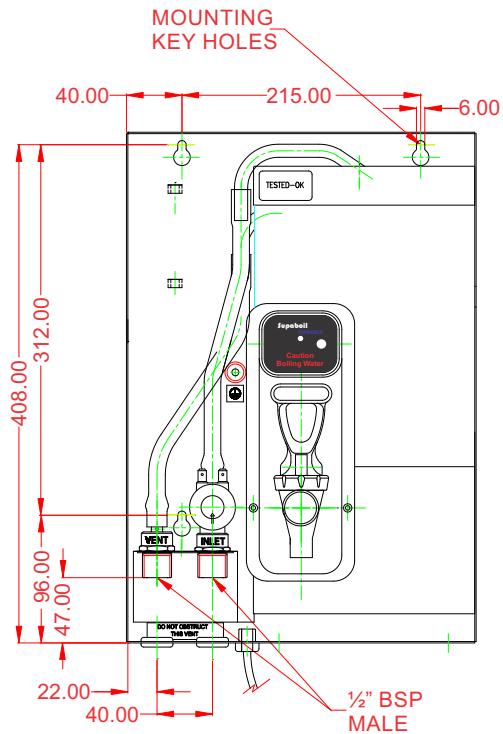
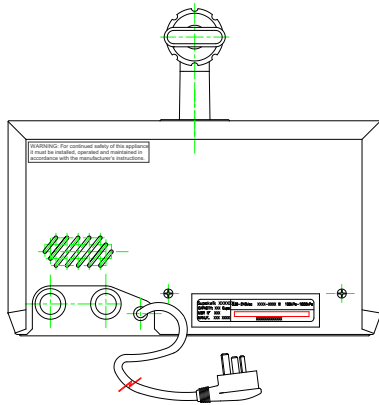
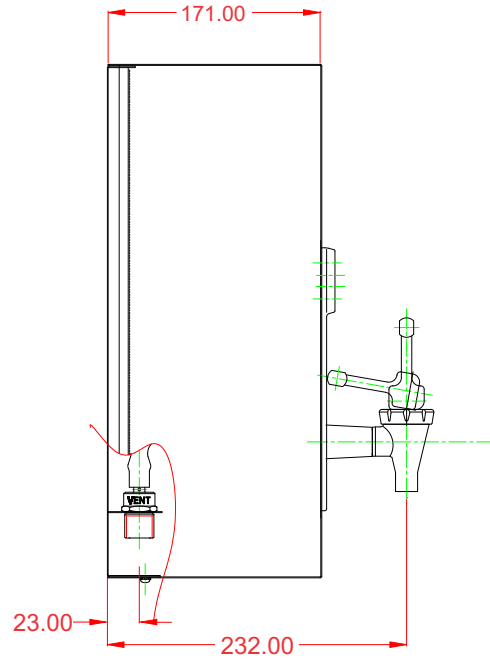
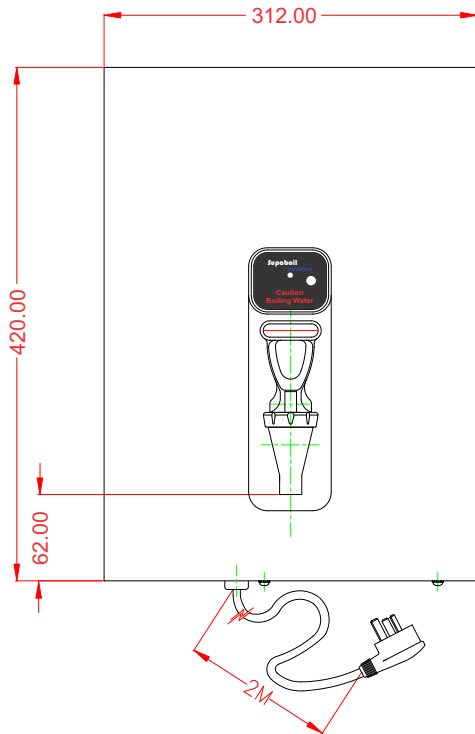
38 Cup, White - Unfiltered

Product Code

MA038

Page N° 16

M SERIES



Controls & Electrical Circuitry removed for clarity

Technical Specifications

Nominal Capacity:	6 Litres
Recovery Rating:	150 Cups per hour.
Supply Rating:	10 Amps @ 240 Volt.
Service Rating:	20-1000 kPa.
Weight:	7,2 Kg.(dry) 14,8 Kg.(full)

Cup Size = 167 ml

SUPAKWIK water heaters pty ltd

3/61 Boyland Avenue,
Coopers Plains

Brisbane. Phone 07 3255 6389
Qld 4108. Fax 07 3255 6387

www.supakwik.com



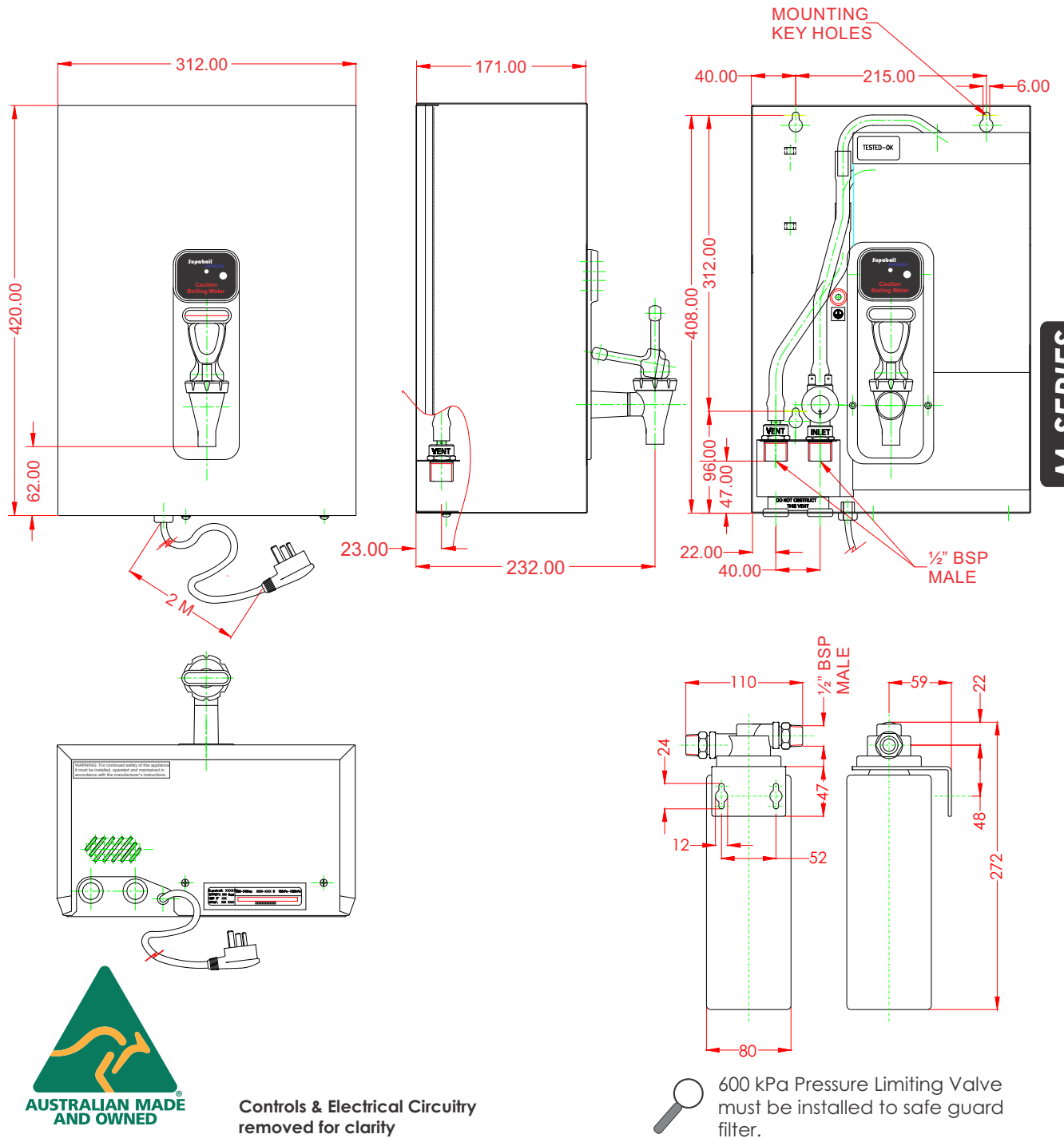
SUPABOIL - MOTION SERIES

38 Cup, White - Filtered

Product Code

MA038F

Page N° 17



M SERIES



Controls & Electrical Circuitry removed for clarity

Technical Specifications

Nominal Capacity:	6 Litres
Recovery Rating:	150 Cups per hour.
Supply Rating:	10 Amps @ 240 Volt.
Service Rating:	20-1000 kPa.
Weight:	7,2 Kg.(dry) 14,8 Kg.(full)

Cup Size = 167 ml

SUPAKWIK water heaters pty Ltd

3/61 Boyland Avenue,
Coopers Plains

Brisbane. Phone 07 3255 6389
Qld 4108. Fax 07 3255 6387

www.supakwik.com



SUPABOIL - MOTION SERIES

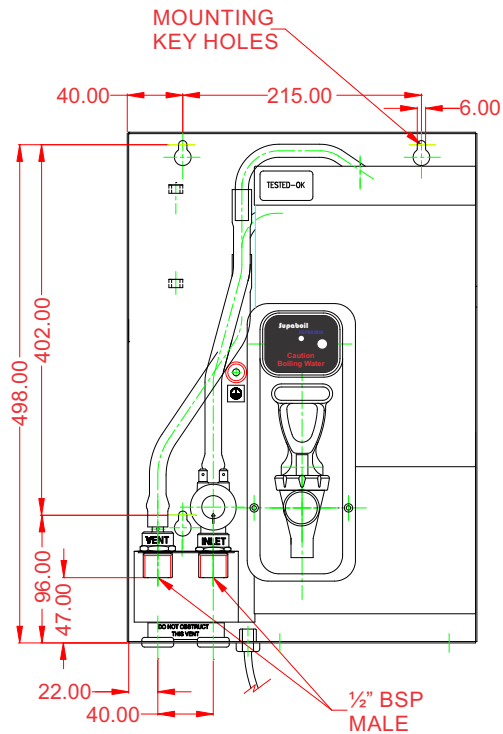
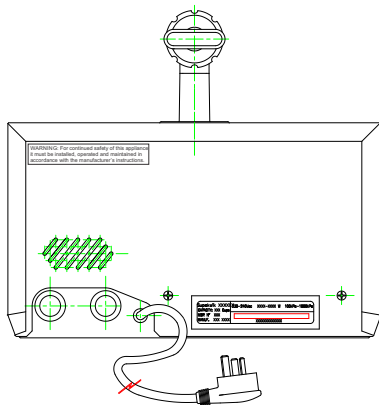
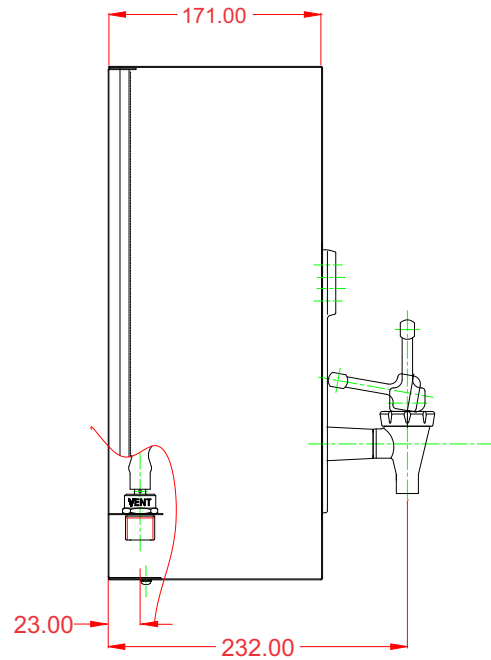
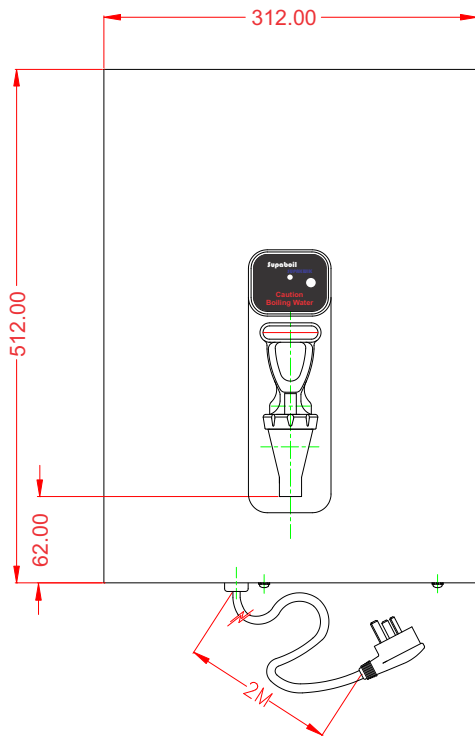
50 Cup, White - Unfiltered

Product Code

MA050

Page N° 18

M SERIES



Controls & Electrical Circuitry removed for clarity

Technical Specifications

Nominal Capacity:	8 Litres
Recovery Rating:	150 Cups per hour.
Supply Rating:	10 Amps @ 240 Volt.
Service Rating:	20-1000 kPa.
Weight:	8,1 Kg.(dry) 17,2 Kg.(full)

Cup Size = 167 ml

SUPAKWIK water heaters pty ltd

3/61 Boyland Avenue,
Coopers Plains

Brisbane. Phone 07 3255 6389
Qld 4108. Fax 07 3255 6387

www.supakwik.com



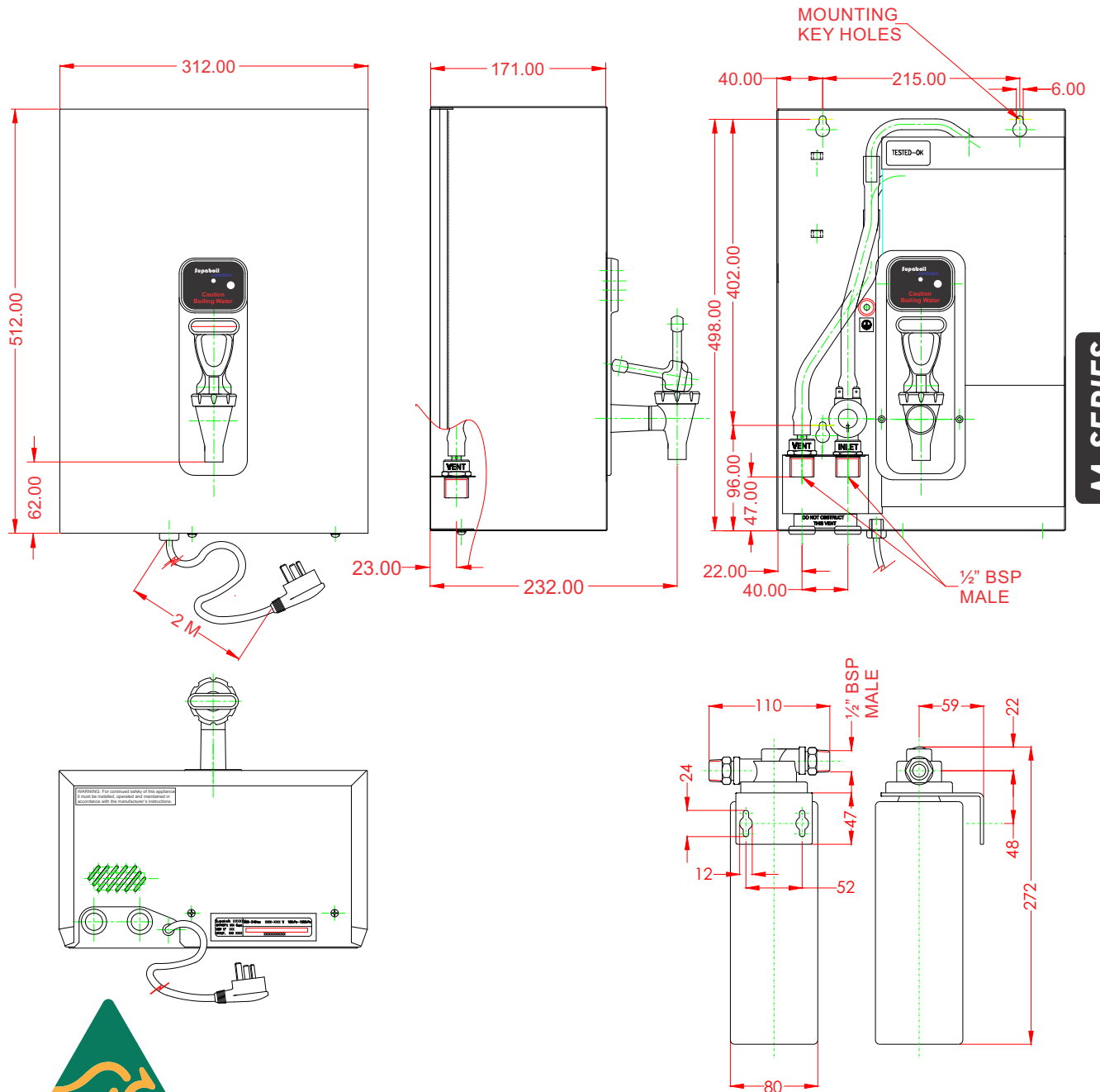
SUPABOIL - MOTION SERIES

50 Cup, White - Filtered

Product Code

MA050F

Page N° 19



M SERIES



Controls & Electrical Circuitry removed for clarity



600 kPa Pressure Limiting Valve must be installed to safe guard filter.

Technical Specifications

Nominal Capacity:	8 Litres
Recovery Rating:	150 Cups per hour.
Supply Rating:	10 Amps @ 240 Volt.
Service Rating:	20-1000 kPa.
Weight:	8,1 Kg.(dry) 17,2 Kg.(full)

Cup Size = 167 ml

SUPAKWIK water heaters pty Ltd

3/61 Boyland Avenue,
Coopers Plains

Brisbane. Phone 07 3255 6389
Qld 4108. Fax 07 3255 6387

www.supakwik.com



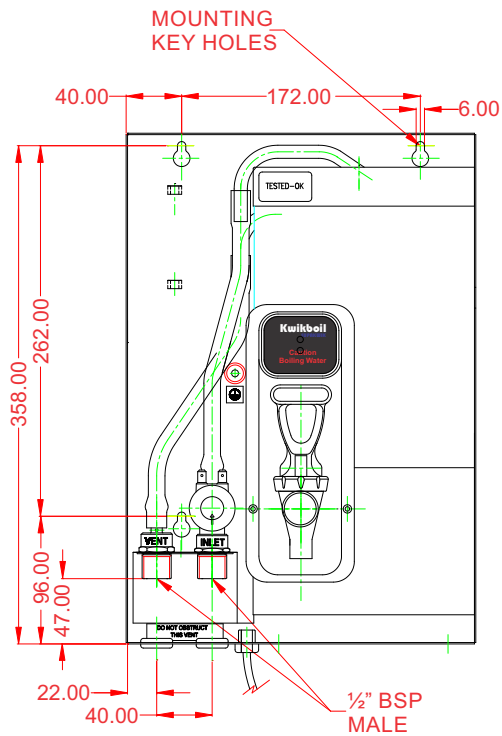
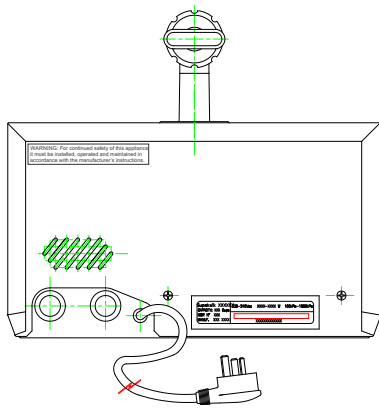
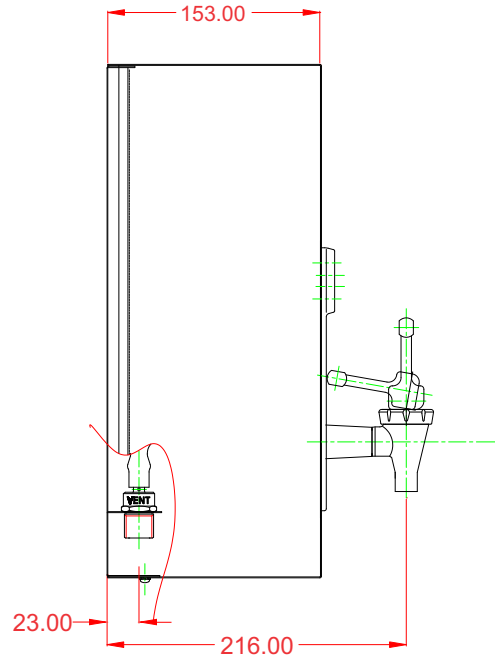
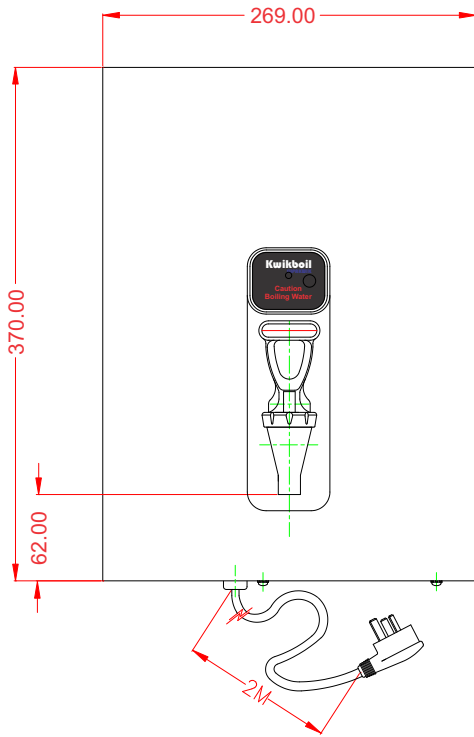
KWIKBOIL - STANDARD SERIES

20 Cup, White - Unfiltered

Product Code

SA020

Page N° 20



S SERIES



Controls & Electrical Circuitry removed for clarity

Technical Specifications

Nominal Capacity:	3 Litres
Recovery Rating:	150 Cups per hour.
Supply Rating:	10 Amps @ 240 Volt.
Service Rating:	20-1000 kPa.
Weight:	5,5 Kg.(dry) 8,6 Kg.(full)

Cup Size = 167 ml

SUPAKWIK water heaters pty ltd

3/61 Boyland Avenue,
Coopers Plains

Brisbane. Phone 07 3255 6389
Qld 4108. Fax 07 3255 6387

www.supakwik.com



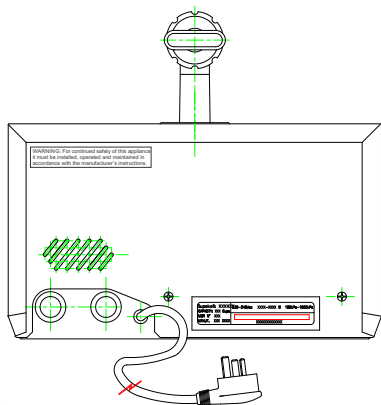
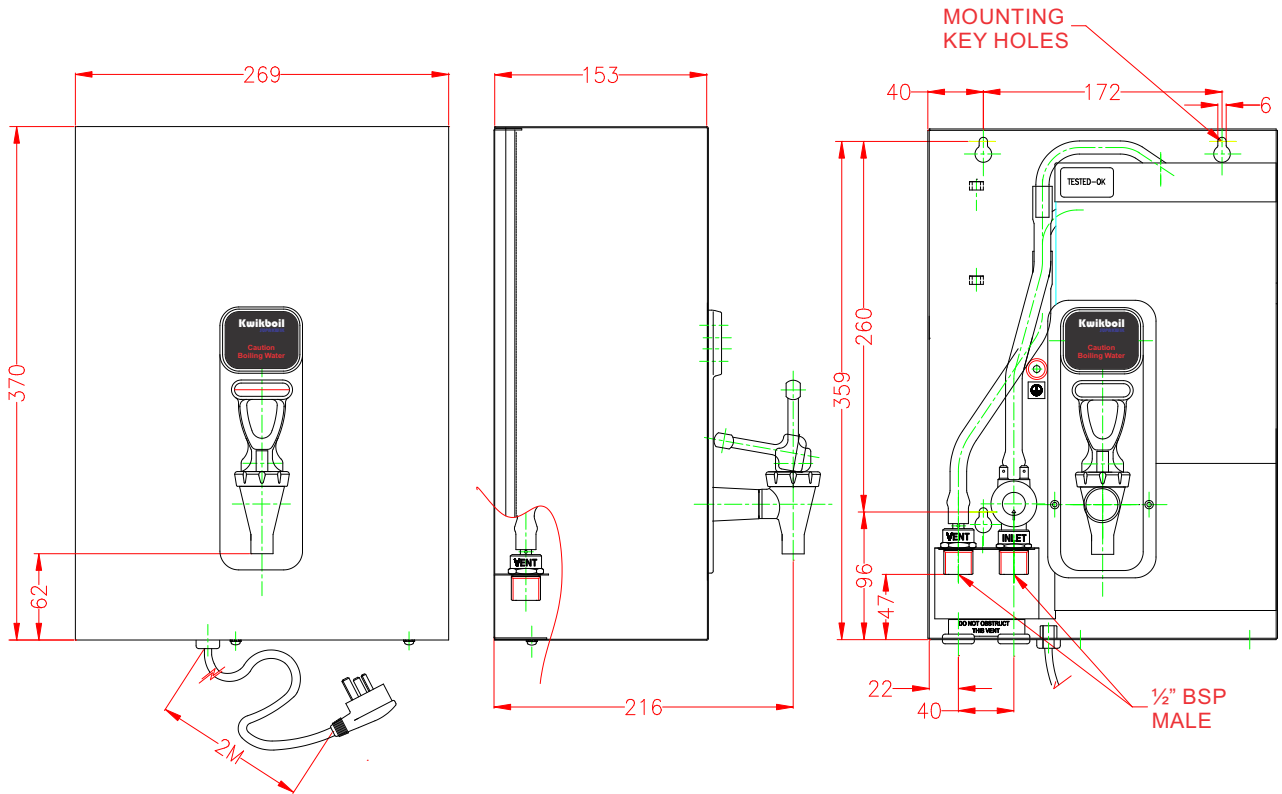
KWIKBOIL - STANDARD SERIES

20 Cup, White - Filtered

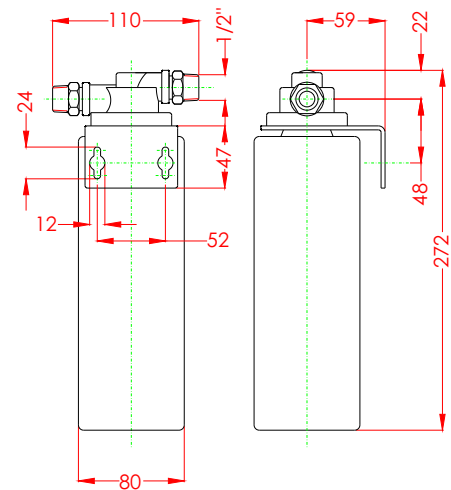
Product Code

SA020F

Page N° 21



Controls & Electrical Circuitry removed for clarity



600 kPa Pressure Limiting Valve must be installed to safe guard filter.

S SERIES

Technical Specifications

Nominal Capacity:	3 Litres
Recovery Rating:	150 Cups per hour.
Supply Rating:	10 Amps @ 240 Volt.
Service Rating:	20-1000 kPa.
Weight:	5,5 Kg.(dry) 8,6 Kg.(full)

Cup Size = 167 ml

SUPAKWIK water heaters pty Ltd

3/61 Boyland Avenue,
Coopers Plains

Brisbane. Phone 07 3255 6389
Qld 4108. Fax 07 3255 6387

www.supakwik.com



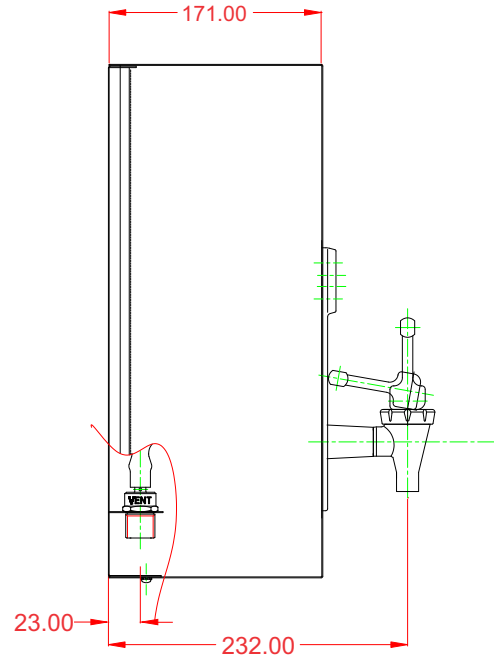
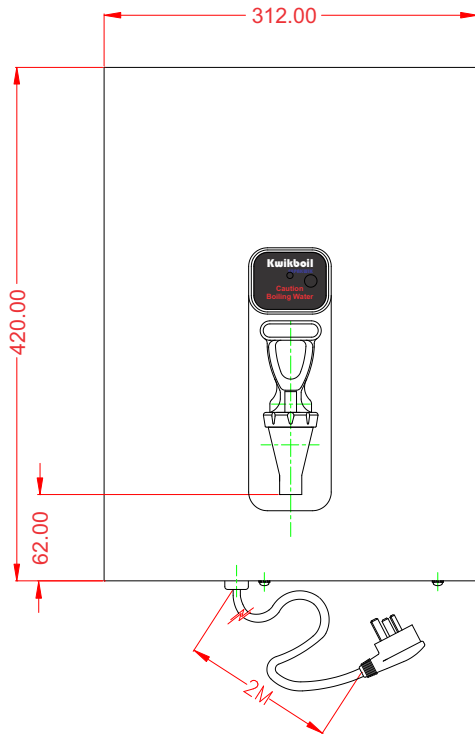
KWIKBOIL - STANDARD SERIES

38 Cup, White - Unfiltered

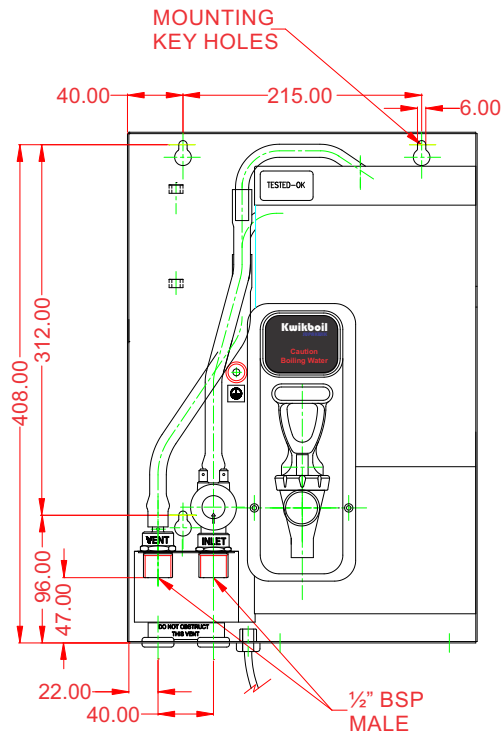
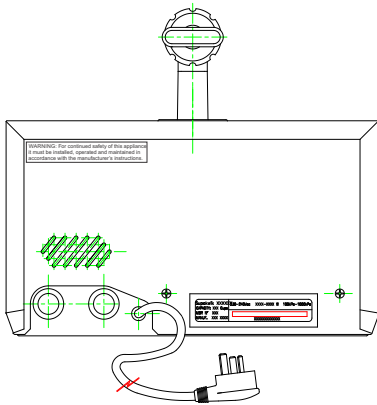
Product Code

SA038

Page N° 22



S SERIES



Controls & Electrical Circuitry removed for clarity

Technical Specifications

Nominal Capacity:	6 Litres
Recovery Rating:	150 Cups per hour.
Supply Rating:	10 Amps @ 240 Volt.
Service Rating:	20-1000 kPa.
Weight:	7,2 Kg.(dry) 14,8 Kg.(full)

Cup Size = 167 ml

SUPAKWIK water heaters pty ltd

3/61 Boyland Avenue,
Coopers Plains

Brisbane. Phone 07 3255 6389
Qld 4108. Fax 07 3255 6387

www.supakwik.com



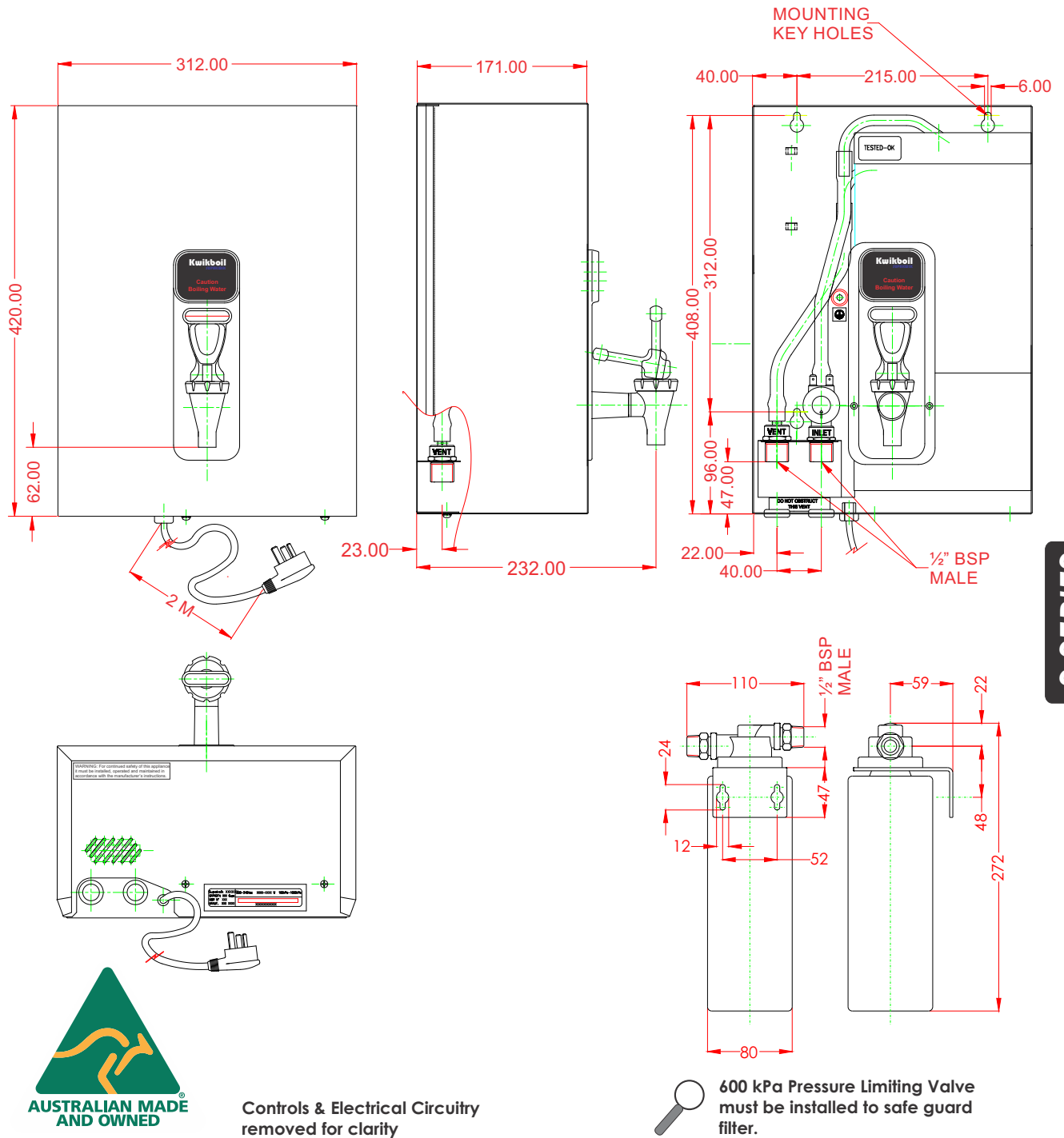
KWIKBOIL - STANDARD SERIES

38 Cup, White - Filtered

Product Code

SA038F

Page N° 23



S SERIES

Technical Specifications

Nominal Capacity:	6 Litres
Recovery Rating:	150 Cups per hour.
Supply Rating:	10 Amps @ 240 Volt.
Service Rating:	20-1000 kPa.
Weight:	7,2 Kg.(dry) 14,8 Kg.(full)

Cup Size = 167 ml

SUPAKWIK water heaters pty Ltd

3/61 Boyland Avenue,
Coopers Plains

Brisbane. Phone 07 3255 6389
Qld 4108. Fax 07 3255 6387

www.supakwik.com



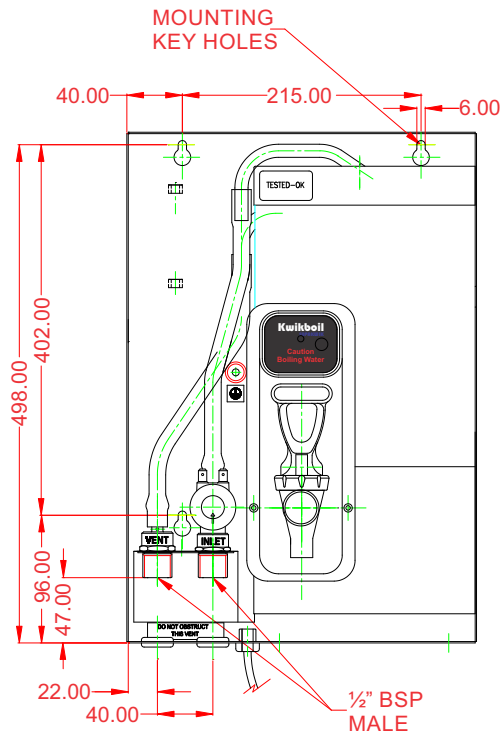
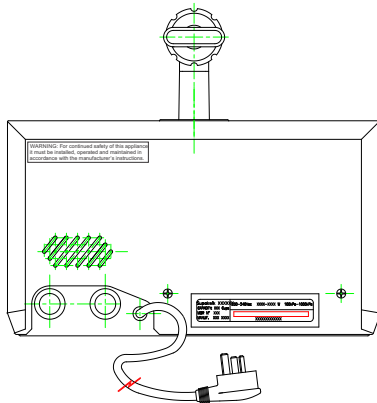
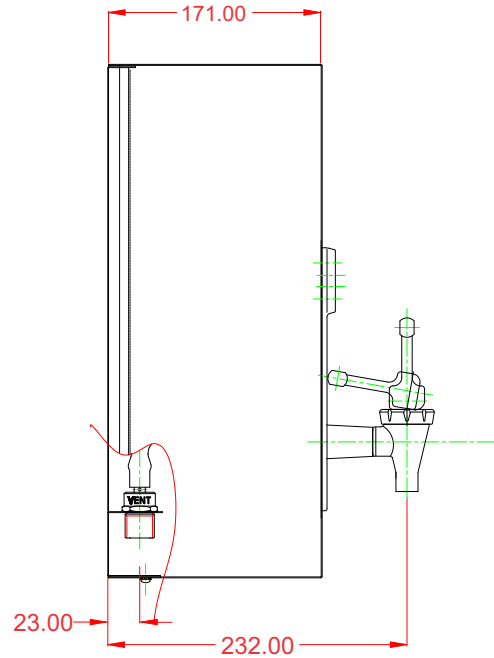
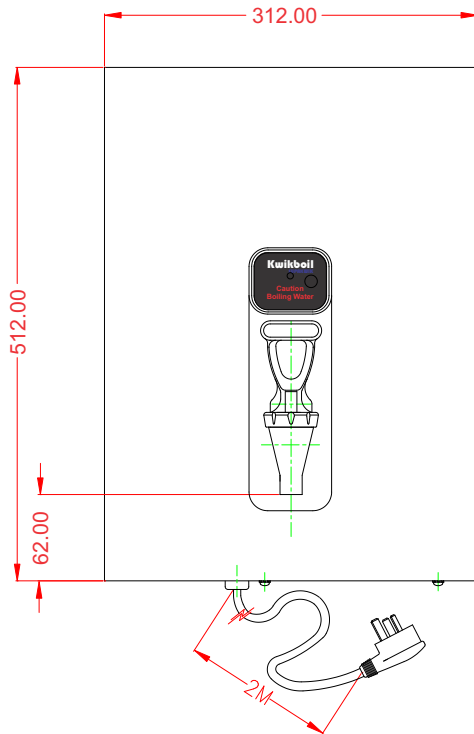
KWIKBOIL - STANDARD SERIES

50 Cup, White - Unfiltered

Product Code

SA050

Page N° 24



S SERIES



Controls & Electrical Circuitry removed for clarity

Technical Specifications

Nominal Capacity:	8 Litres
Recovery Rating:	150 Cups per hour.
Supply Rating:	10 Amps @ 240 Volt.
Service Rating:	20-1000 kPa.
Weight:	8,1 Kg.(dry) 17,2 Kg.(full)

Cup Size = 167 ml

SUPAKWIK water heaters pty ltd

3/61 Boyland Avenue,
Coopers Plains

Brisbane. Phone 07 3255 6389
Qld 4108. Fax 07 3255 6387

www.supakwik.com



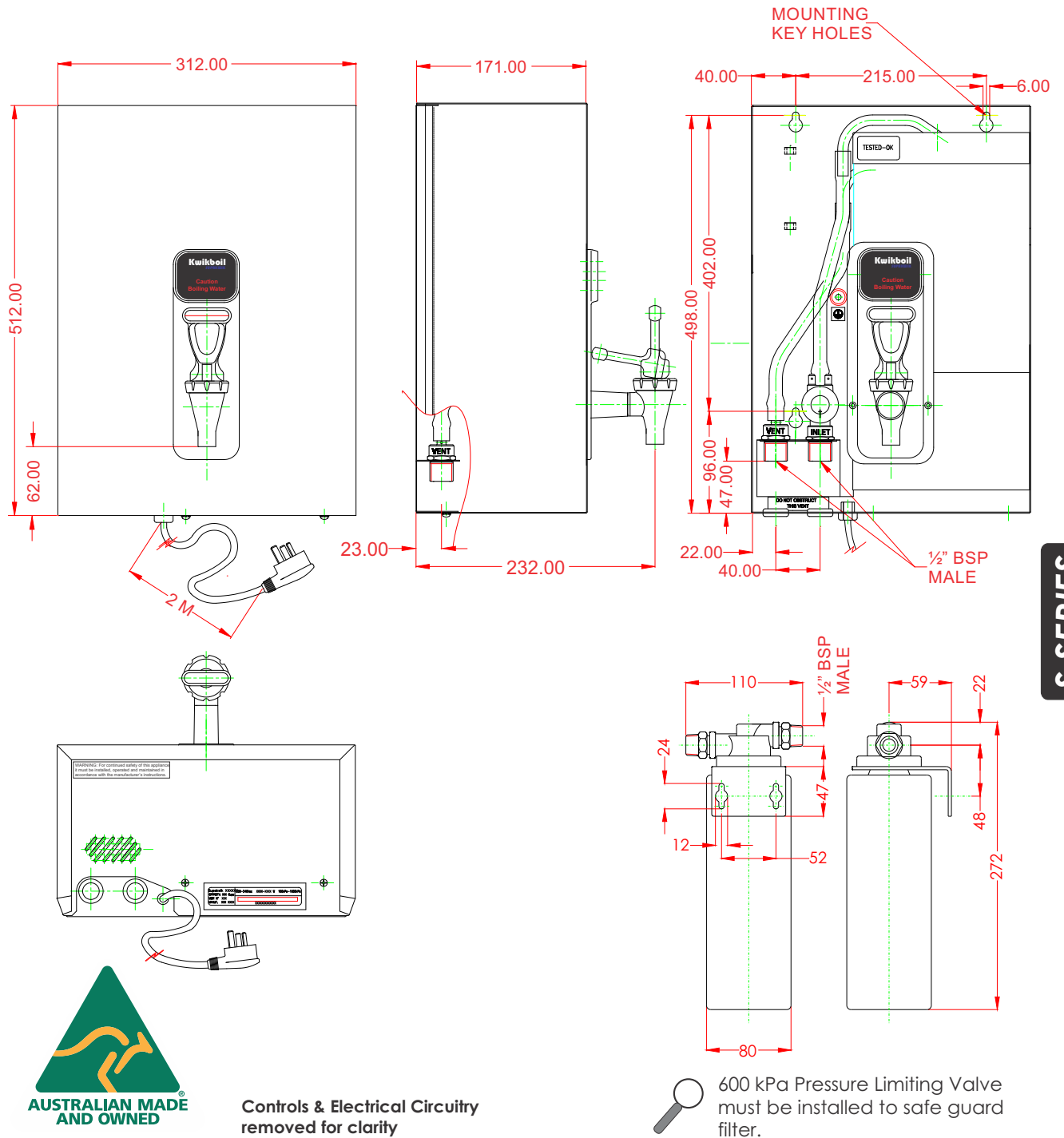
KWIKBOIL - STANDARD SERIES

50 Cup, White - Filtered

Product Code

SA050F

Page N° 25



S SERIES

Technical Specifications

Nominal Capacity:	8 Litres
Recovery Rating:	150 Cups per hour.
Supply Rating:	10 Amps @ 240 Volt.
Service Rating:	20-1000 kPa.
Weight:	8,1 Kg.(dry) 17,2 Kg.(full)

Cup Size = 167 ml

SUPAKWIK water heaters pty Ltd

3/61 Boyland Avenue,
Coopers Plains

Brisbane. Phone 07 3255 6389
Qld 4108. Fax 07 3255 6387

www.supakwik.com



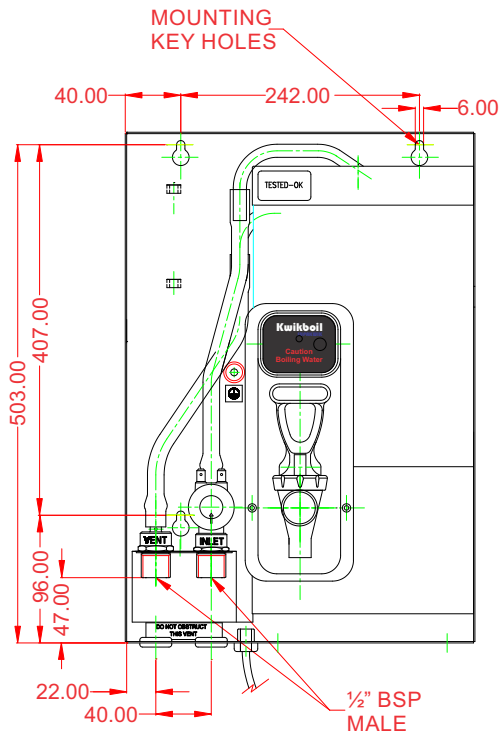
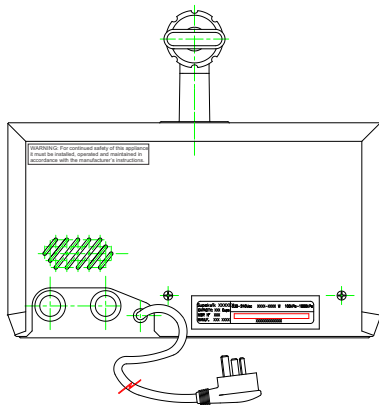
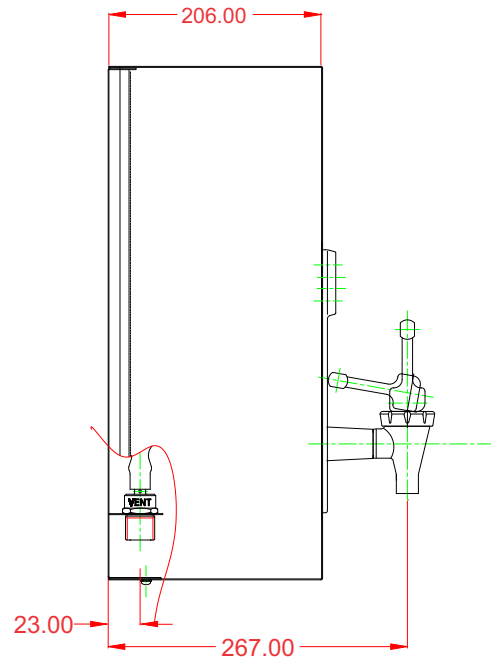
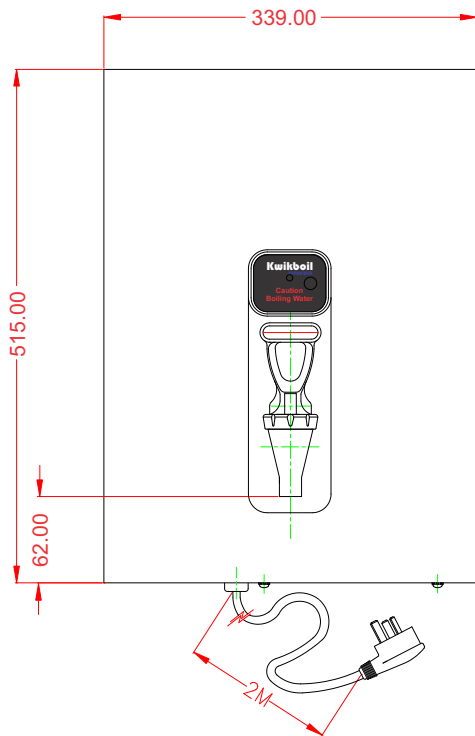
KWIKBOIL - STANDARD SERIES

75 Cup, White - Unfiltered

Product Code

SA075

Page N° 26



S SERIES



Controls & Electrical Circuitry removed for clarity

Technical Specifications

Nominal Capacity:	12 Litres
Recovery Rating:	150 Cups per hour.
Supply Rating:	10 Amps @ 240 Volt.
Service Rating:	20-1000 kPa.
Weight:	9,3 Kg.(dry) 23,0 Kg.(full)

Cup Size = 167 ml

SUPAKWIK water heaters pty ltd

3/61 Boyland Avenue,
Coopers Plains

Brisbane. Phone 07 3255 6389
Qld 4108. Fax 07 3255 6387

www.supakwik.com



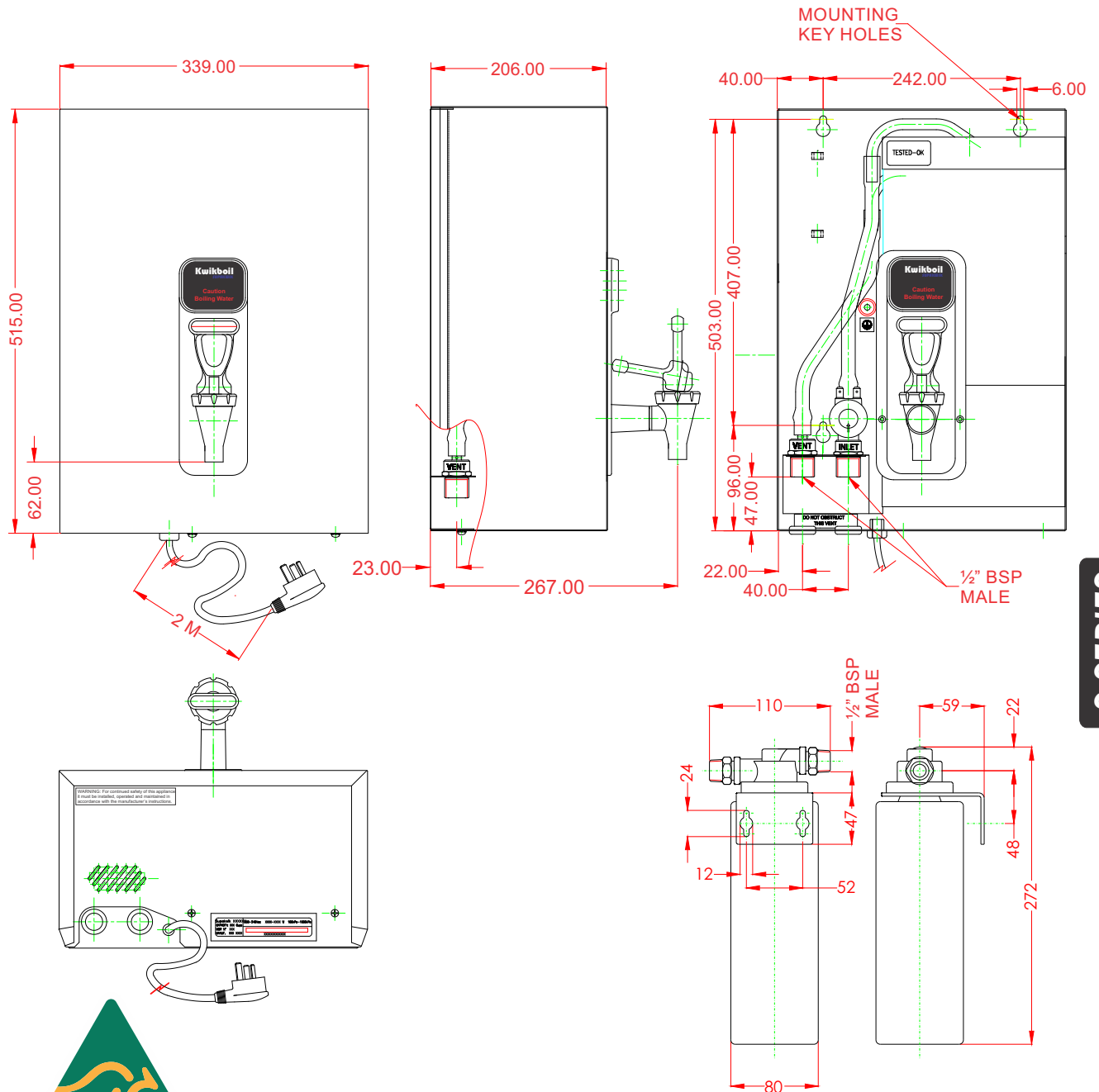
KWIKBOIL - STANDARD SERIES

75 Cup, White - Filtered

Product Code

SA075F

Page N° 27



Controls & Electrical Circuitry removed for clarity



600 kPa Pressure Limiting Valve must be installed to safe guard filter.

S SERIES

Technical Specifications

Nominal Capacity:	12 Litres
Recovery Rating:	150 Cups per hour.
Supply Rating:	10 Amps @ 240 Volt.
Service Rating:	20-1000 kPa.
Weight:	9,3 Kg.(dry) 23,0 Kg.(full)

Cup Size = 167 ml

SUPAKWIK water heaters pty Ltd

3/61 Boyland Avenue,
Coopers Plains

Brisbane. Phone 07 3255 6389
Qld 4108. Fax 07 3255 6387

www.supakwik.com



KWIKBOIL - STANDARD SERIES

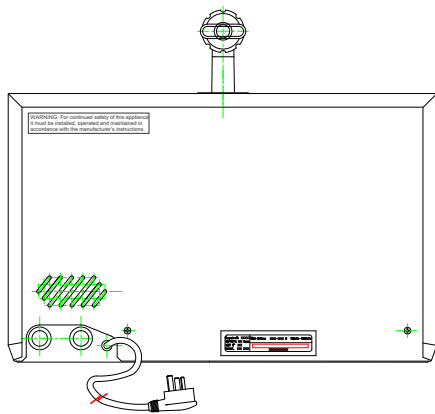
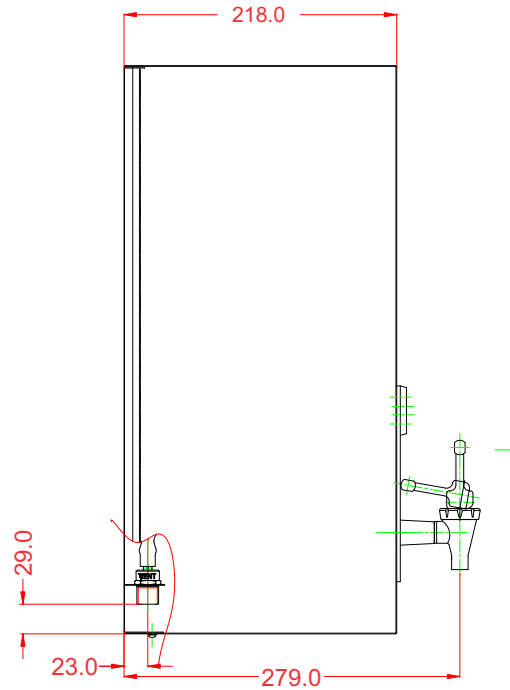
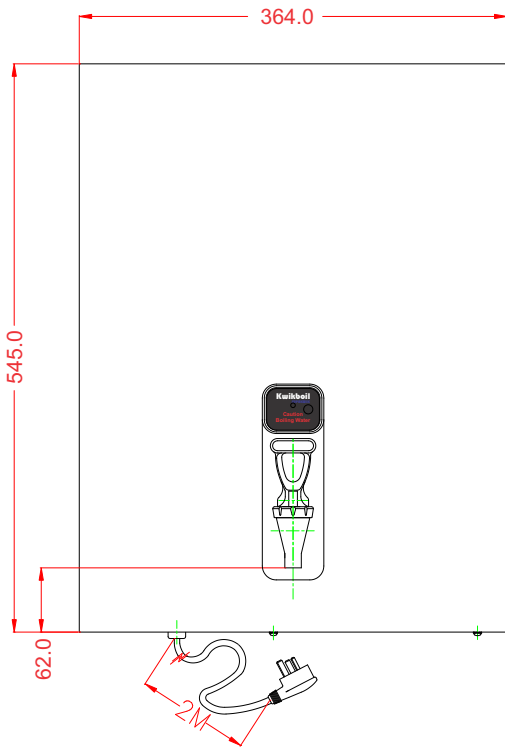
100 Cup, White - Unfiltered

Product Code

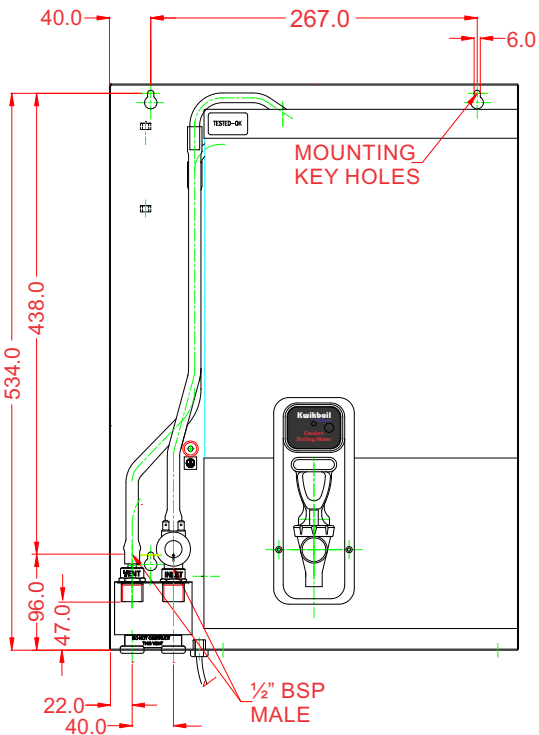
SA100

Page N° 28

S SERIES



Controls & Electrical Circuitry removed for clarity



Technical Specifications

Nominal Capacity:	16 Litres
Recovery Rating:	150 Cups per hour.
Supply Rating:	10 Amps @ 240 Volt.
Service Rating:	20-1000 kPa.
Weight:	11,0 Kg.(dry) 28,8 Kg.(full)

Cup Size = 167 ml

SUPAKWIK water heaters pty ltd

3/61 Boyland Avenue,
Coopers Plains

Brisbane. Phone 07 3255 6389
Qld 4108. Fax 07 3255 6387

www.supakwik.com



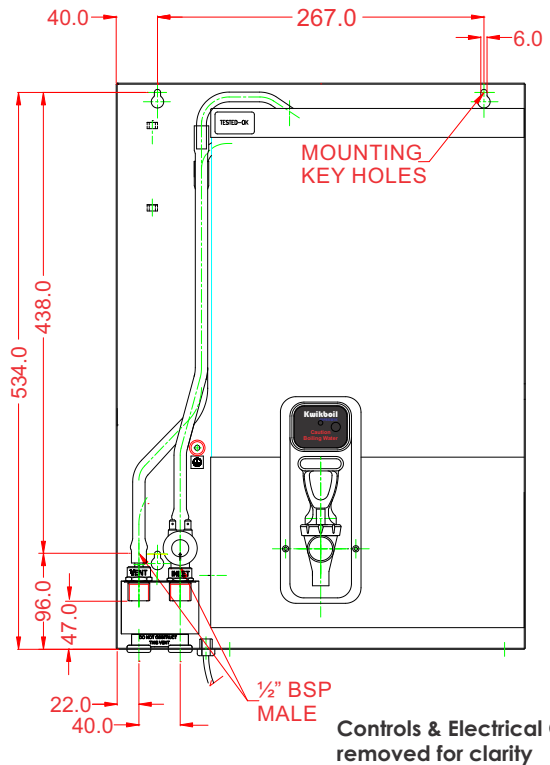
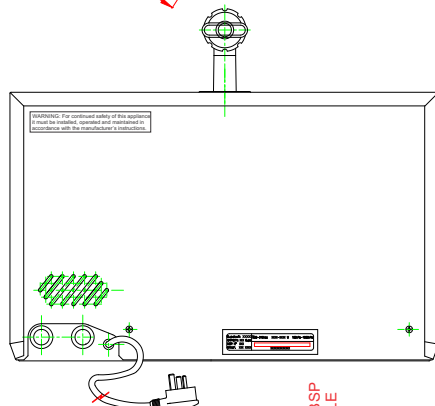
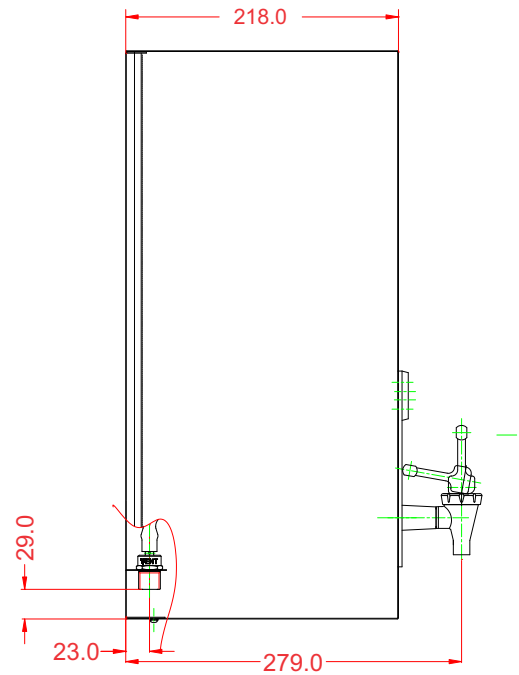
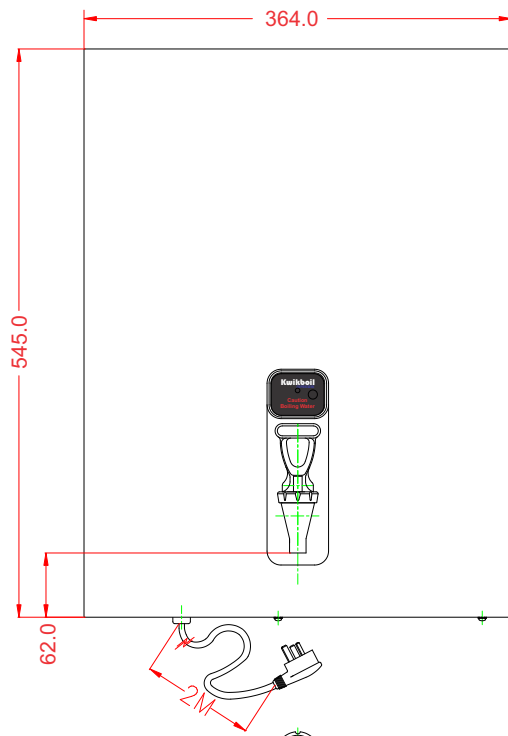
KWIKBOIL - STANDARD SERIES

100 Cup, White - Filtered

Product Code

SA100F

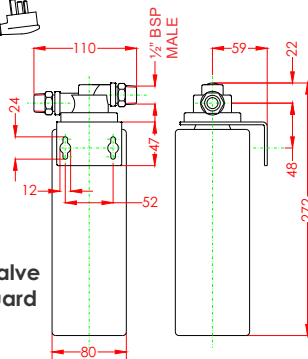
Page N° 29



AUSTRALIAN MADE AND OWNED



600 kPa Pressure Limiting Valve must be installed to safe guard filter.



Technical Specifications

Nominal Capacity:	16 Litres
Recovery Rating:	150 Cups per hour.
Supply Rating:	10 Amps @ 240 Volt.
Service Rating:	20-1000 kPa.
Weight:	11,0 Kg.(dry) 28,8 Kg.(full)

Cup Size = 167 ml

SUPAKWIK water heaters pty Ltd

3/61 Boyland Avenue,
Coopers Plains

Brisbane. Phone 07 3255 6389
Qld 4108. Fax 07 3255 6387

www.supakwik.com

S SERIES



KWIKBOIL - STANDARD SERIES

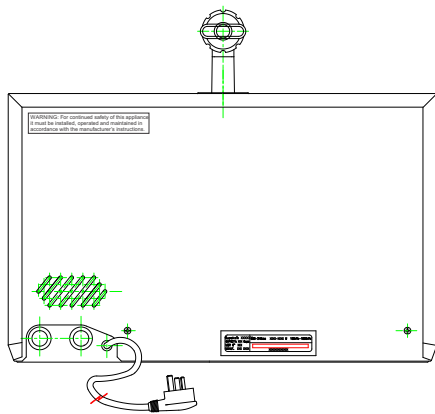
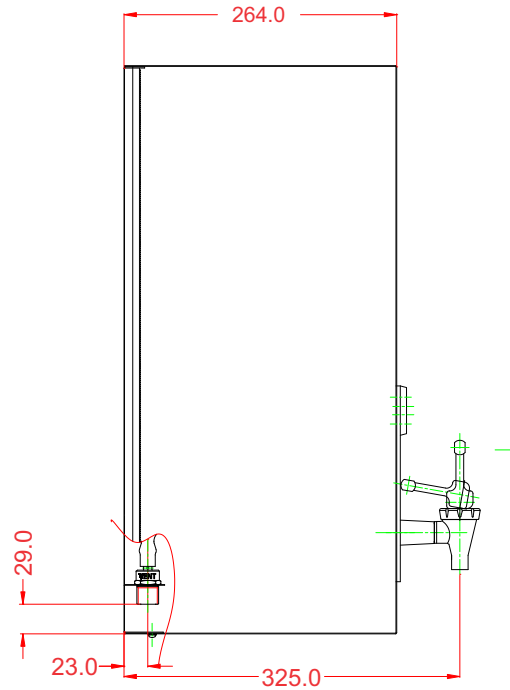
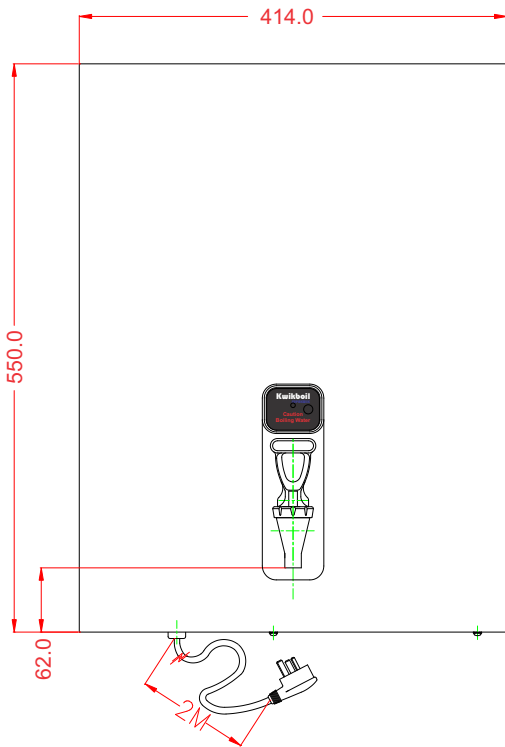
160 Cup, White - Unfiltered

Product Code

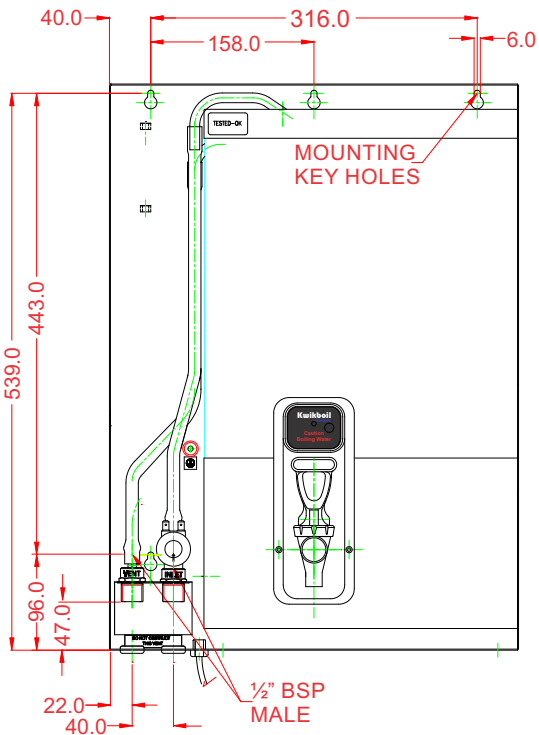
SA160

Page N° 30

S SERIES



Controls & Electrical Circuitry removed for clarity



Technical Specifications

Nominal Capacity:	25 Litres
Recovery Rating:	150 Cups per hour.
Supply Rating:	10 Amps @ 240 Volt.
Service Rating:	20-1000 kPa.
Weight:	12,3 Kg.(dry) 37,8 Kg.(full)

Cup Size = 167 ml

SUPAKWIK water heaters pty ltd

3/61 Boyland Avenue,
Coopers Plains

Brisbane. Phone 07 3255 6389
Qld 4108. Fax 07 3255 6387

www.supakwik.com



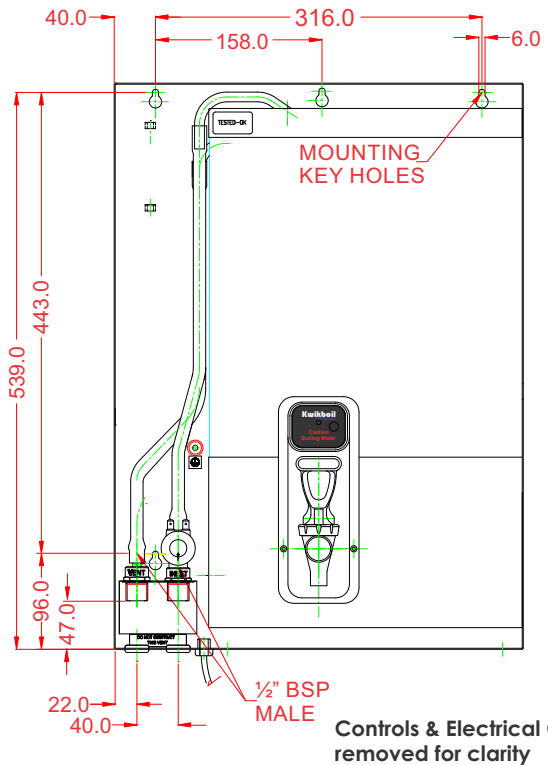
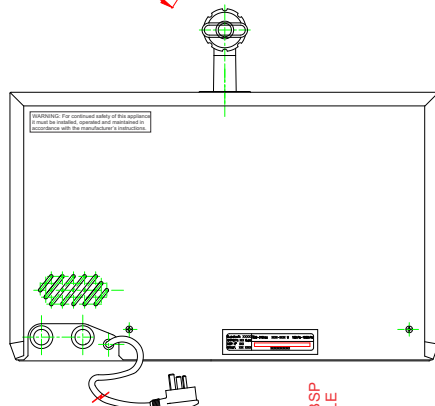
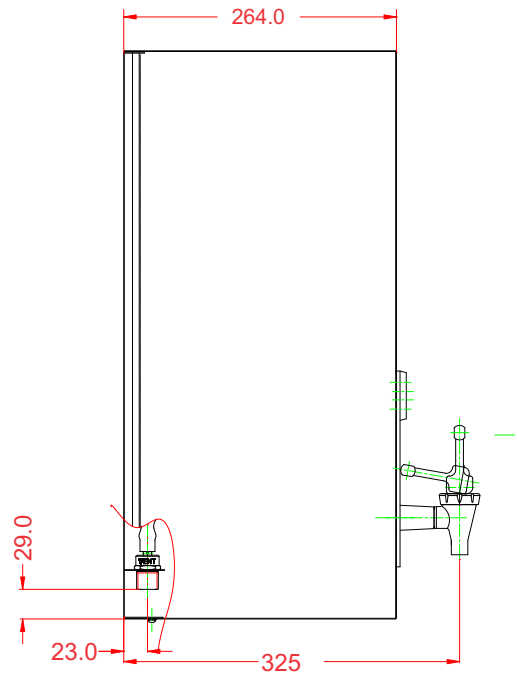
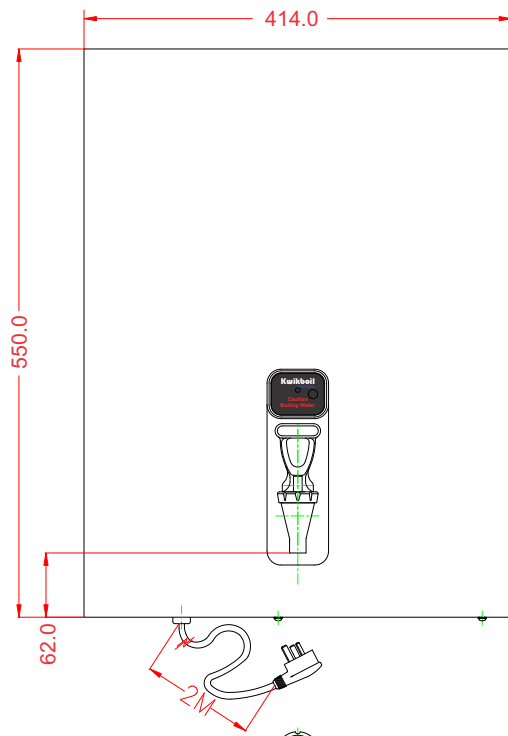
KWIKBOIL - STANDARD SERIES

160 Cup, White - Filtered

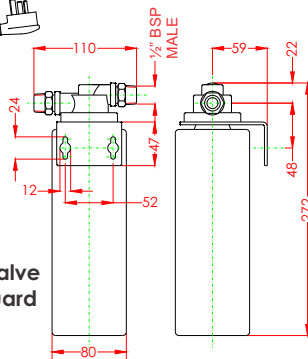
Product Code

SA160F

Page N° 31



600 kPa Pressure Limiting Valve must be installed to safe guard filter.



Technical Specifications

Nominal Capacity:	25 Litres
Recovery Rating:	150 Cups per hour.
Supply Rating:	10 Amps @ 240 Volt.
Service Rating:	20-1000 kPa.
Weight:	12,3 Kg.(dry) 37,8 Kg.(full)

Cup Size = 167 ml

SUPAKWIK water heaters pty Ltd

3/61 Boyland Avenue,
Coopers Plains

Brisbane. Phone 07 3255 6389
Qld 4108. Fax 07 3255 6387

www.supakwik.com

S SERIES



UNDER BENCH COOLER

70 Office - 35 Industrial Staff.
White, Unfiltered

Product Code

Goose Neck Chrome UB7035

Page N° 32

Product Codes
for Alternate Taps

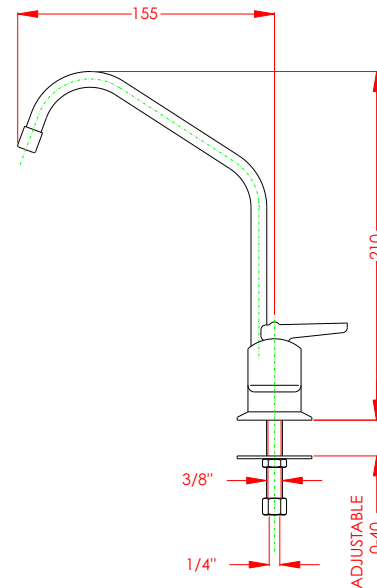
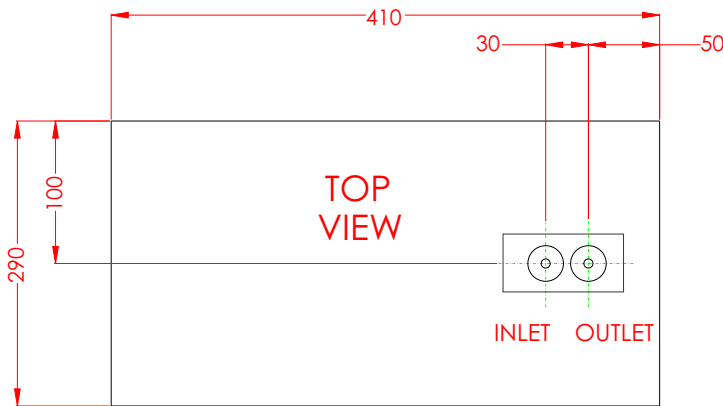
Goose Neck Long Chrome UB7035G02

Long Reach White UB7035W02

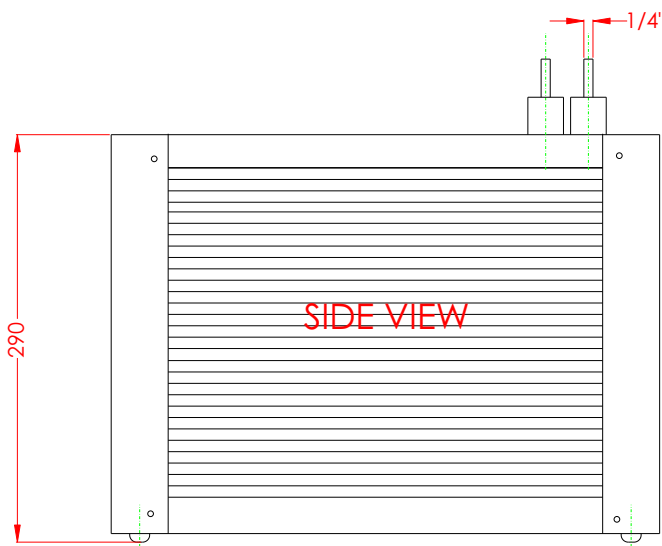
For Dimensions of Alternate Taps - see Page A2 & A3

Included:

- Cooler
- Tap Assembly
- 350 kPa Pressure Limiting Valve
- 2 Meters LLDPE Tubing



UB SERIES



Chiller

The 350 kPa Pressure Limiting Valve supplied, must be installed to safe guard the Cooler.

The Chiller must always be installed level, with the inlet and outlet tubes facing up.

Technical Specifications

Nominal Capacity:	1,9 Litres
Recovery:	6 Litres per hour
Supply Rating:	0.75 Amps @ 240 Volt.
Application:	70 Office, 35 Industrial Staff.
Weight:	13,0 Kg.(dry) 14,6 Kg.(full)

Glass Size = 165 ml

SUPAKWIK water heaters pty ltd

3/61 Boyland Avenue,
Coopers Plains

Brisbane. Phone 07 3255 6389
Qld 4108. Fax 07 3255 6387

www.supakwik.com



UNDER BENCH COOLER

70 Office - 35 Industrial Staff.
White, Unfiltered

Product Code

Goose Neck Chrome UB7035

Page N° 33

Product Codes
for Alternate Taps

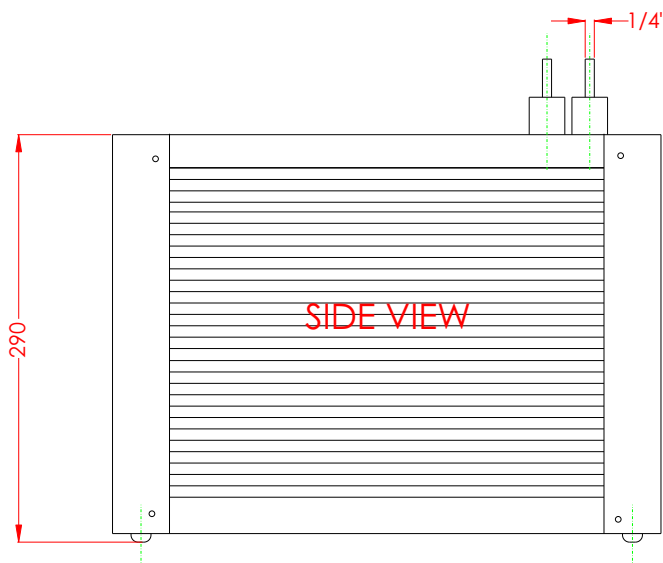
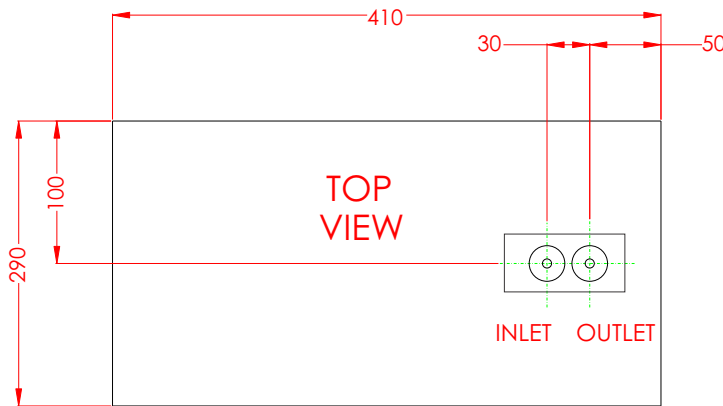
Goose Neck Long Chrome UB7035G02

Long Reach White UB7035W02

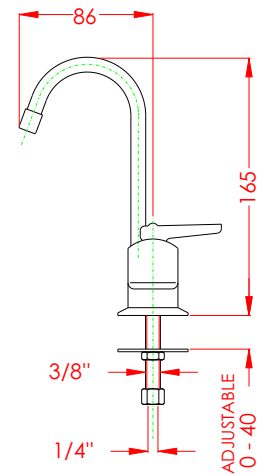
For Dimensions of Alternate Taps - see Page A2 & A3


Included:


- Cooler
- Tap Assembly
- 350 kPa Pressure Limiting Valve
- 2 Meters LLDPE Tubing



Chiller



 The 350 kPa Pressure Limiting Valve supplied, must be installed to safe guard the Coole.

 The Chiller must always be installed level, with the inlet and outlet tubes facing up.

Technical Specifications

Nominal Capacity:	1,9 Litres
Recovery:	6 Litres per hour
Supply Rating:	0.75 Amps @ 240 Volt.
Application:	70 Office, 35 Industrial Staff.
Weight:	13,0 Kg.(dry) 14,6 Kg.(full)

Glass Size = 165 ml

SUPAKWIK water heaters pty ltd

3/61 Boyland Avenue,
Coopers Plains

Brisbane. Phone 07 3255 6389
Qld 4108. Fax 07 3255 6387

www.supakwik.com

UB SERIES



AMBIENT TAP

1/2 Micron Filtration Kit

Product Code

Goose Neck Chrome ATG02S

Page N° 34

Product Codes for Alternate Taps

Goose Neck Long Chrome ATN02S

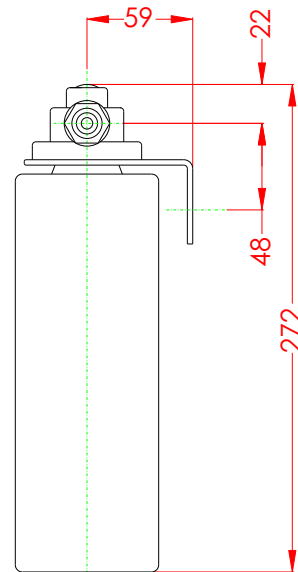
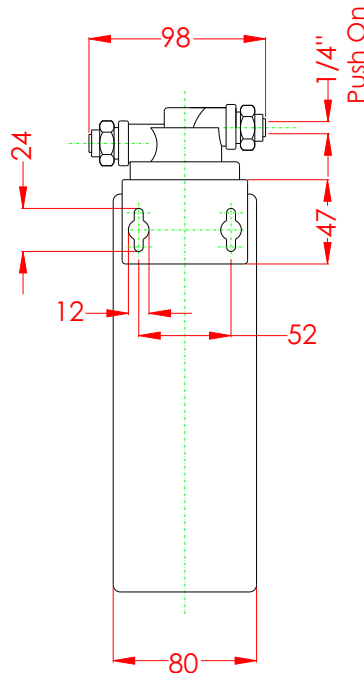
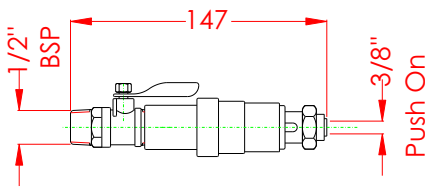
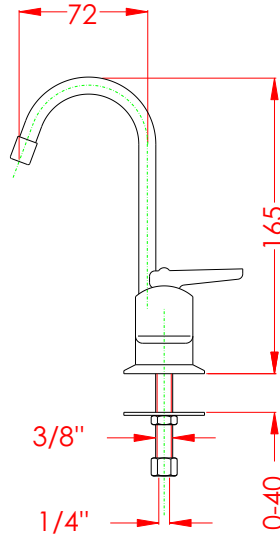
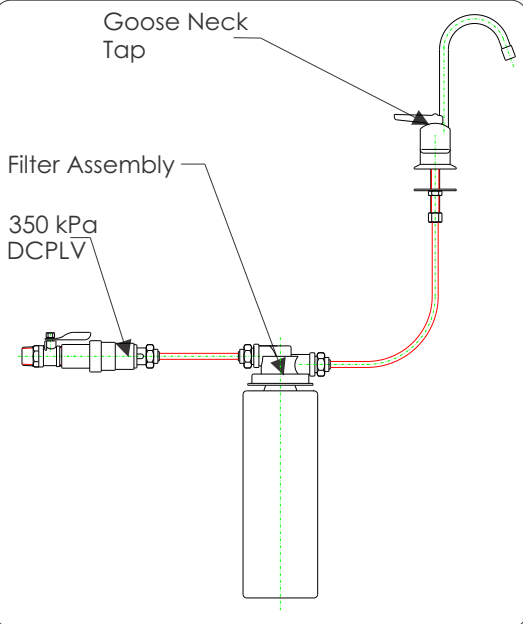
Long Reach Chrome ATLO2S

Long Reach White ATW02S

For Dimensions of Alternate Taps - see Page A2 & A3

Included:

- Tap Assembly
- Bayonet Filter Head Assy
- 1/2 Micron Filter Cartridge
- Ball Valve
- 350 kPa Pressure Limiting Valve
- 2 Meters LLDPE Tubing



AT SERIES



350 kPa Pressure Limiting Valve must be installed to safe guard filter.

Technical Specifications

Application: Filtered Ambient Installation
Mounting: Counter Top
Supply Fittings: Ferruled 1/4" Tubing
Service Rating: 860 kPa.

SUPAKWIK water heaters pty ltd

3/61 Boyland Avenue,
 Coopers Plains
 Brisbane. Phone 07 3255 6389
 Qld 4108. Fax 07 3255 6387

www.supakwik.com



AMBIENT TAP

1/2 Micron Filtration Kit

Product Code
Goose Neck Chrome **ATL02S**

Page N° **35**

Product Codes
for Alternate Taps

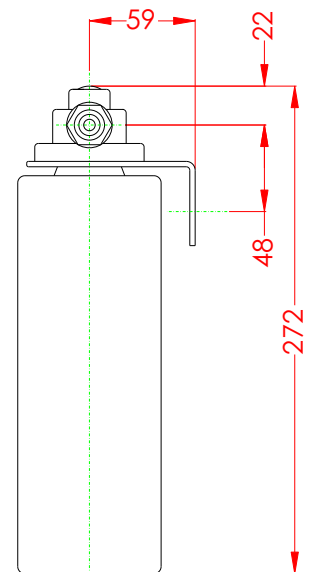
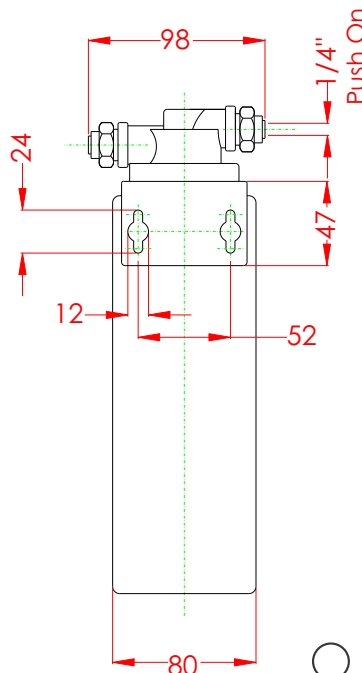
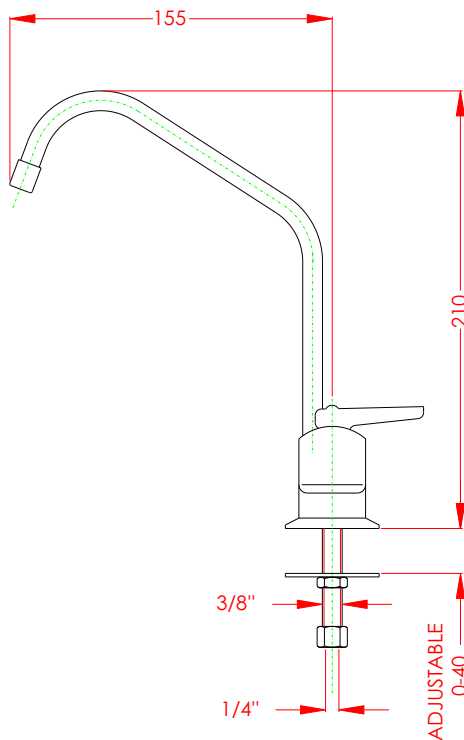
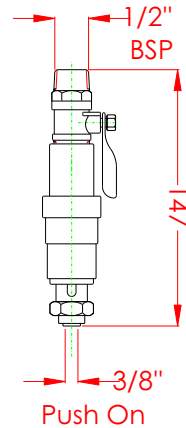
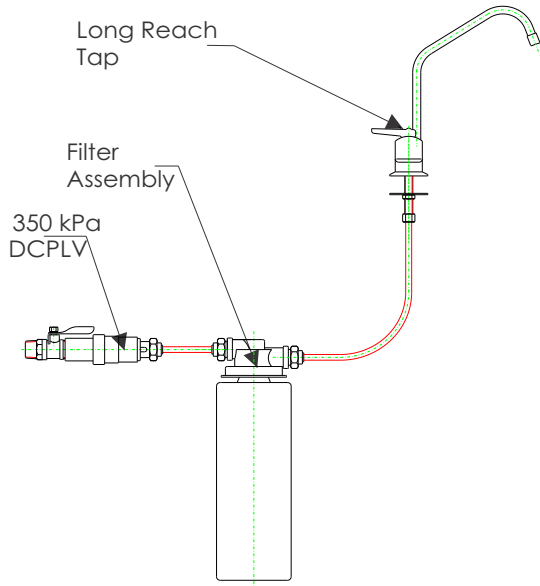
Goose Neck Long Chrome **ATN02S**

Long Reach Chrome **ATL02S**

Long Reach White **ATW02S**

For Dimensions of Alternate Taps - see Page A2 & A3

Included:
Tap Assembly
Bayonet Filter Head Assy
1/2 Micron Filter Cartridge
Ball Valve
350 kPa Pressure Limiting Valve
2 Meters LLDPE Tubing



350 kPa Pressure Limiting Valve must be installed to safe guard filter.

AT SERIES

Technical Specifications

Application: Filtered Ambient Installation
Mounting: Counter Top
Supply Fittings: Ferruled 1/4" Tubing
Service Rating: 860 kPa.

SUPAKWIK water heaters pty ltd

3/61 Boyland Avenue,
Coopers Plains

Brisbane. Phone 07 3255 6389
Qld 4108. Fax 07 3255 6387

www.supakwik.com



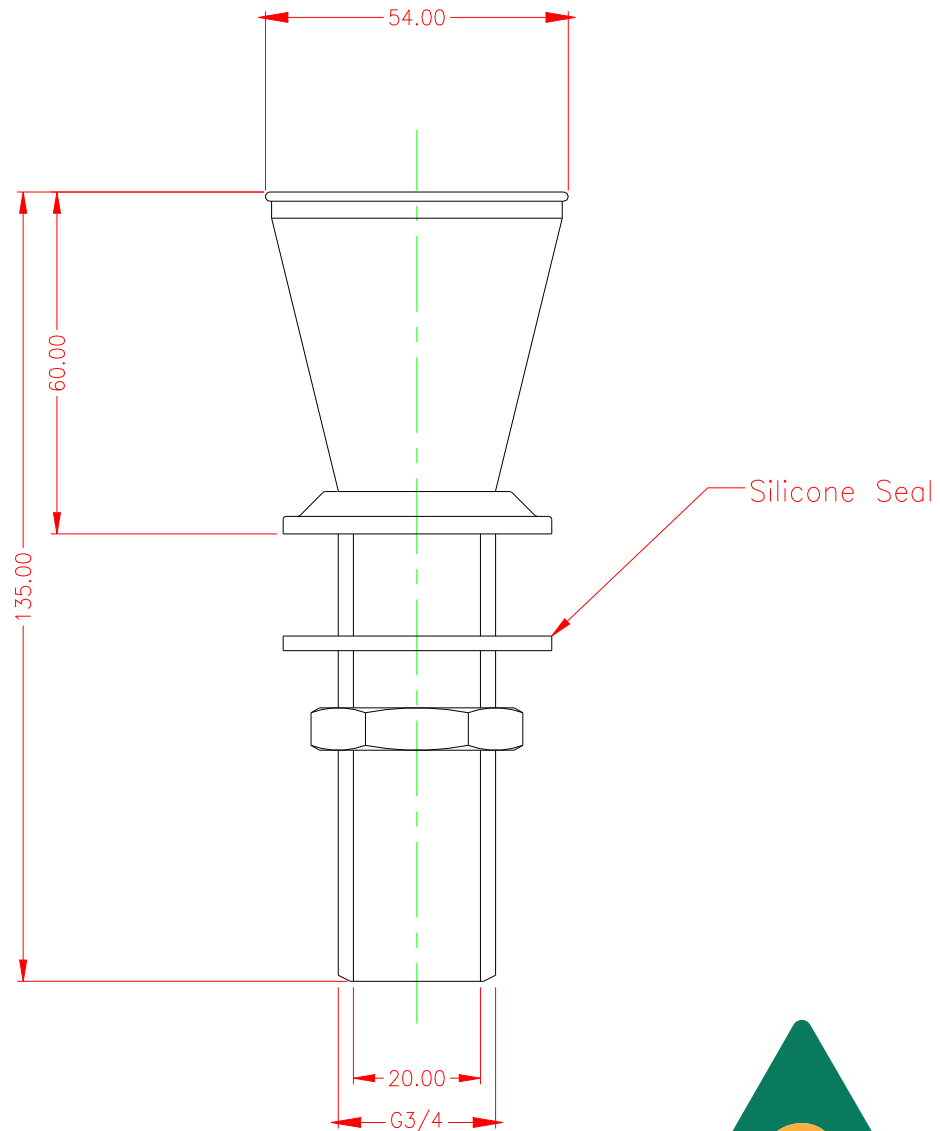
TUNDISH

Chrome Plated - Straight G3/4"

Product Code

T18020

Page N° 36



$\frac{3}{4}$ " (26.40)



Tun Dish

Technical Specifications

This Tundish has been specifically designed for use with Boiling Water Dispensers.

This Tundish is rated to accommodate a maximum flow rate of 8 litres/minute.

Cup Size = 167 ml

SUPAKWIK water heaters pty ltd

3/61 Boyland Avenue,
Coopers Plains

Brisbane.
Qld 4108.

Phone 07 3255 6389
Fax 07 3255 6387

www.supakwik.com

Sept16



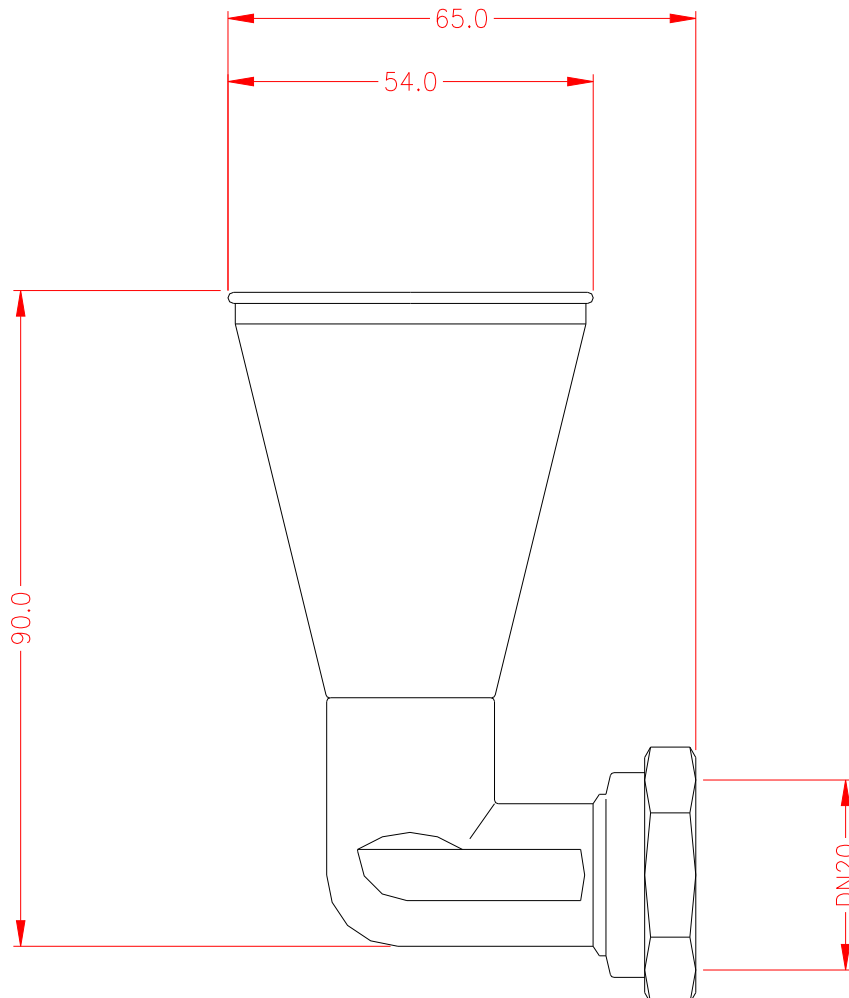
TUNDISH

Chrome Plated - Wall Mount G3/4"

Product Code

T09020

Page N° 37



Tun Dish

Technical Specifications

This Tundish has been specifically designed for use with Boiling Water Dispensers.

This Tundish is rated to accommodate a maximum flow rate of 8 litres/minute.

Cup Size = 167 ml

SUPAKWIK water heaters pty ltd

3/61 Boyland Avenue,
Coopers Plains

Brisbane. Phone 07 3255 6389
Qld 4108. Fax 07 3255 6387

www.supakwik.com

Sept16



CARTRIDGE & HEAD ASSY

5 Micron

Product Code

F02F

Page N° 38

FILTRATION



When installing, allow a minimum clearance of 75mm below the filter cartridge to allow for easy cartridge replacement.

Technical Specifications

CARTRIDGE OPERATING PERAMETERS

Capacity:	11355 Litres.
Pressures:	850 kPa max. 70 kPa min.
Temperature:	2 -38°C
Flow Rate:	3.8 Litres / min

SUPAKWIK water heaters pty ltd

3/61 Boyland Avenue,
Coopers Plains

Brisbane. Phone 07 3255 6389
Qld 4108. Fax 07 3255 6387

www.supakwik.com

Sept16



CARTRIDGE & HEAD ASSY

1/2 Micron

Product Code

S02F

Page N° 39



FILTRATION



When Installing, allow a minimum clearance of 75mm below the filter cartridge to allow for easy cartridge replacement.

Technical Specifications

CARTRIDGE OPERATING PERAMETERS

Capacity:	5000 Litres.
Pressures:	850 kPa max. 70 kPa min.
Temperature:	2 -38°C
Flow Rate:	3.8 Litres / min

SUPAKWIK water heaters pty ltd

3/61 Boyland Avenue,
Coopers Plains

Brisbane. Phone 07 3255 6389
Qld 4108. Fax 07 3255 6387

www.supakwik.com

Sept16



CARTRIDGE & HEAD ASSY

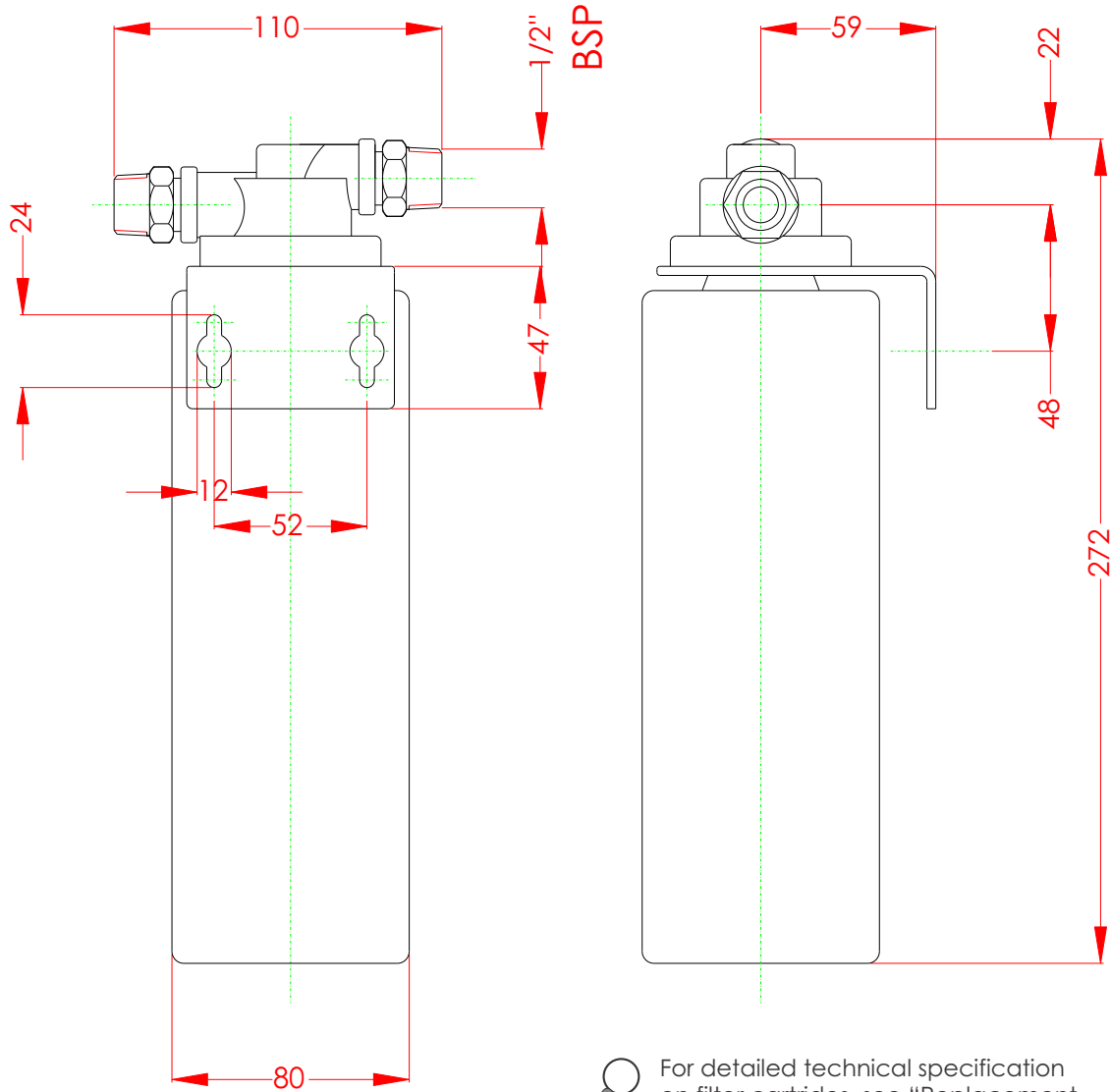
1/2 Micron - 1/2" BSP Fittings

Product Code

FH1212S

Page N° 40

FILTRATION



For detailed technical specification on filter cartridges, see "Replacement Cartridge" Pg A10



When Installing, allow a minimum clearance of 75mm below the filter cartridge to allow for easy cartridge replacement.

Technical Specifications

CARTRIDGE PERFORMANCE RATING

Capacity:	5000 Litres.
Pressures:	860 kPa max. 70 kPa min.
Temperature:	38°C max.

SUPAKWIK water heaters pty ltd

3/61 Boyland Avenue,
Coopers Plains

Brisbane. Phone 07 3255 6389
Qld 4108. Fax 07 3255 6387

www.supakwik.com

Sept16



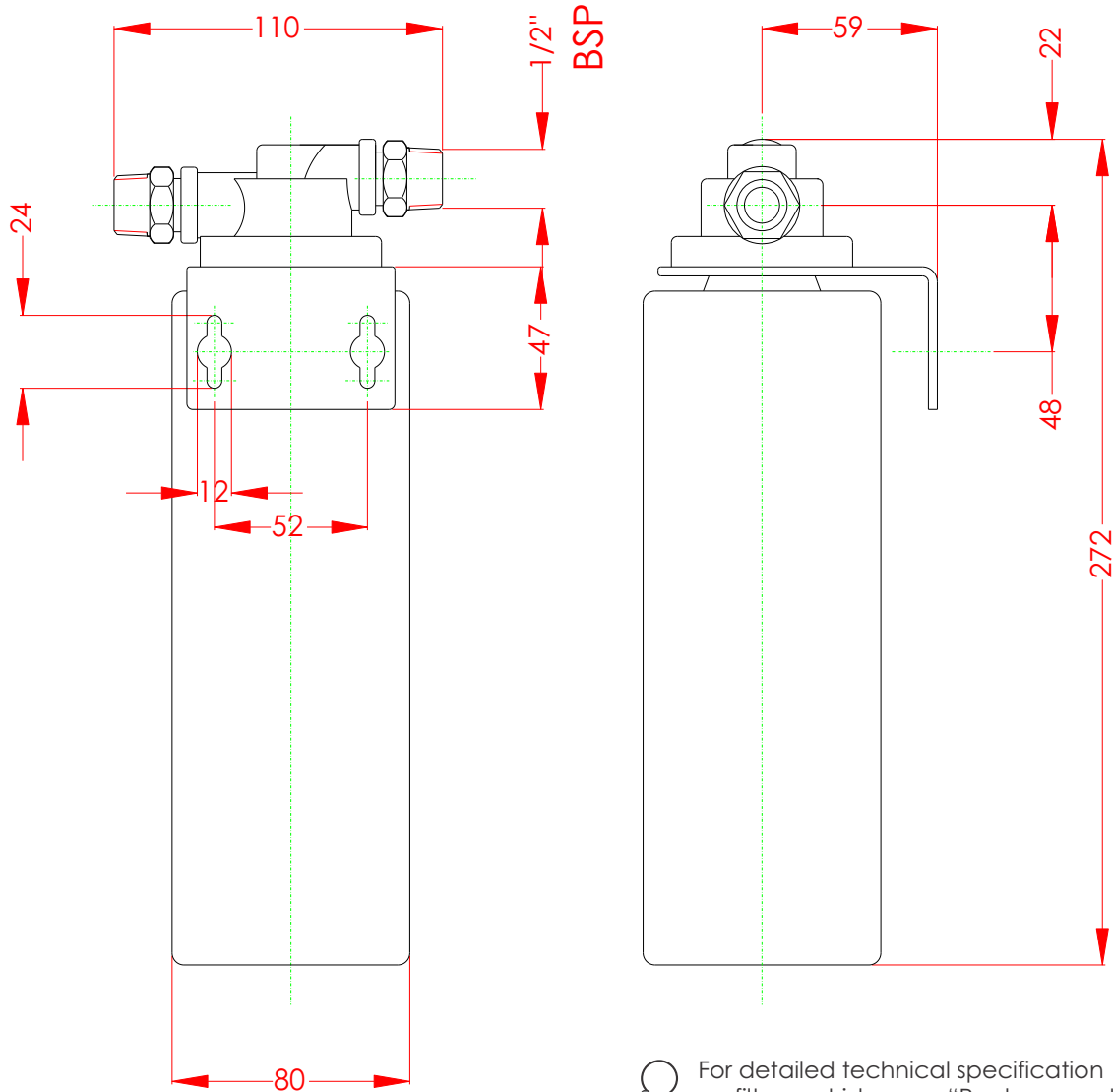
CARTRIDGE & HEAD ASSY

5 Micron - 1/2" BSP Fittings

Product Code

FH1212F

Page N° 41



For detailed technical specification on filter cartridges, see "Replacement Cartridge" Pg A10



When Installing, allow a minimum clearance of 75mm below the filter cartridge to allow for easy cartridge replacement.

Accessories

Technical Specifications

CARTRIDGE PERFORMANCE RATING

Capacity:	11,250 Litres.
Pressures:	860 kPa max. 70 kPa min.
Temperature:	38°C max.

SUPAKWIK water heaters pty ltd

3/61 Boyland Avenue,
Coopers Plains

Brisbane. Phone 07 3255 6389
Qld 4108. Fax 07 3255 6387

www.supakwik.com



CARTRIDGE & HEAD ASSY

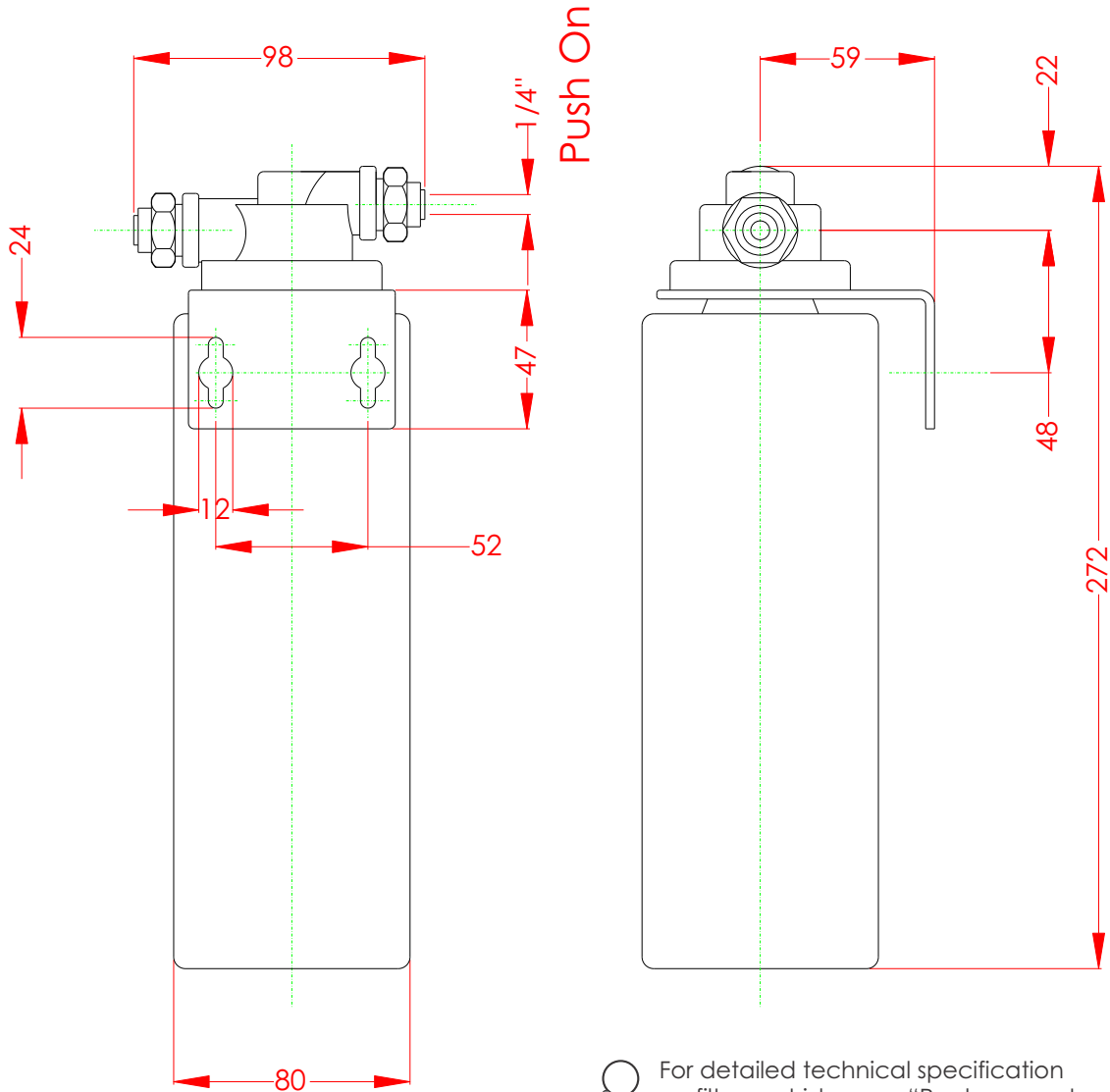
1/2 Micron - 1/4" Push Connect Fittings

Product Code

FH1414S

Page N° 42

Accessories



Push On



For detailed technical specification on filter cartridges, see "Replacement Cartridge" Pg A10



When Installing, allow a minimum clearance of 75mm below the filter cartridge to allow for easy cartridge replacement.

Technical Specifications

CARTRIDGE PERFORMANCE RATING

Capacity:	5000 Litres.
Pressures:	860 kPa max. 70 kPa min.
Temperature:	38°C max.

SUPAKWIK water heaters pty ltd

3/61 Boyland Avenue,
Coopers Plains

Brisbane. Phone 07 3255 6389
Qld 4108. Fax 07 3255 6387

www.supakwik.com



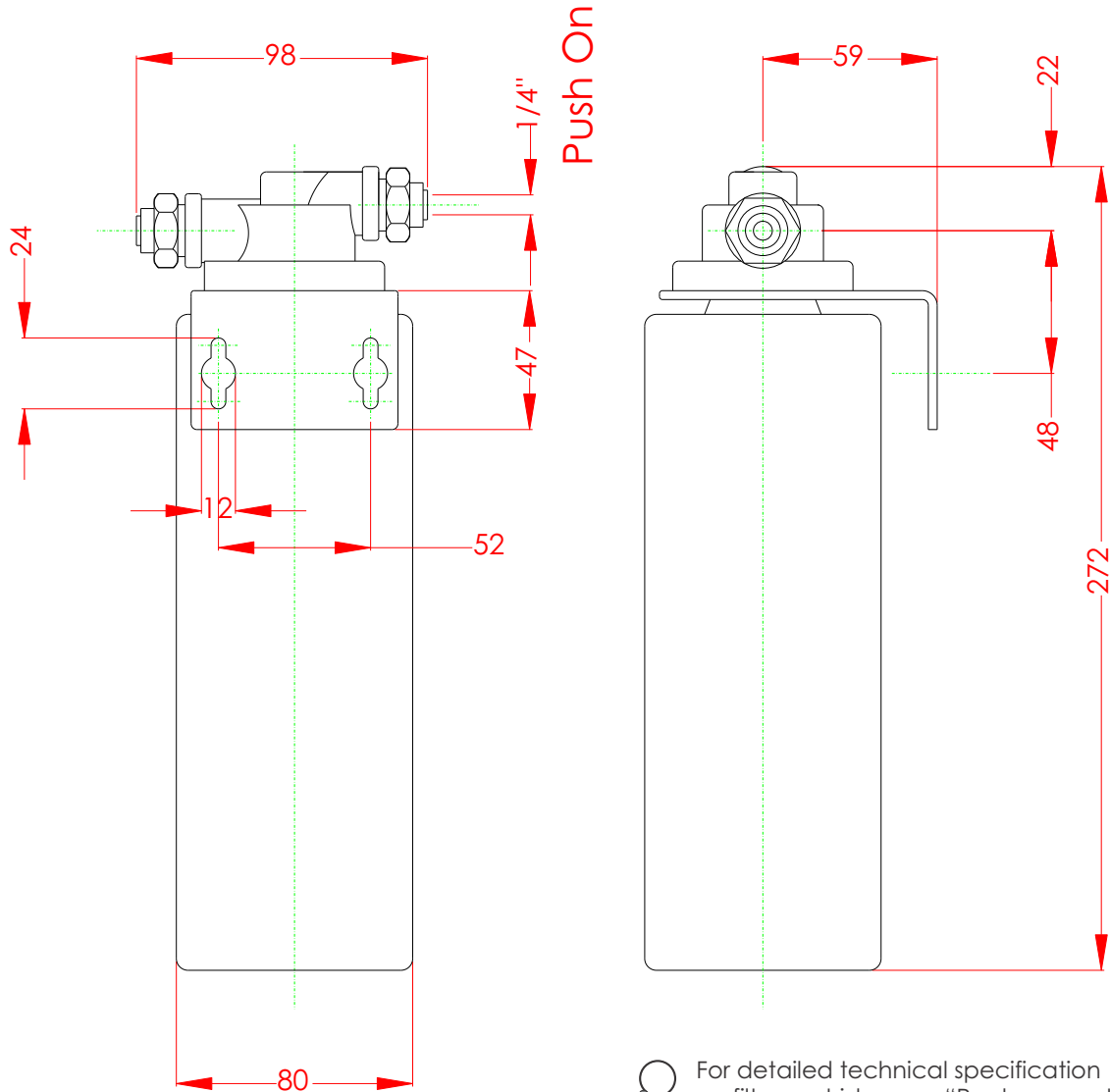
CARTRIDGE & HEAD ASSY

5 Micron - 1/4" Push Connect Fittings

Product Code


FH1414F


Page N° 43



Push On

Accessories

 For detailed technical specification on filter cartridges, see "Replacement Cartridge" Pg A10

 When Installing, allow a minimum clearance of 75mm below the filter cartridge to allow for easy cartridge replacement.

Technical Specifications

CARTRIDGE PERFORMANCE RATING

Capacity:	11,250 Litres.
Pressures:	860 kPa max. 70 kPa min.
Temperature:	38°C max.

SUPAKWIK water heaters pty ltd

3/61 Boyland Avenue,
Coopers Plains

Brisbane. Phone 07 3255 6389
Qld 4108. Fax 07 3255 6387

www.supakwik.com



AIR BREAK

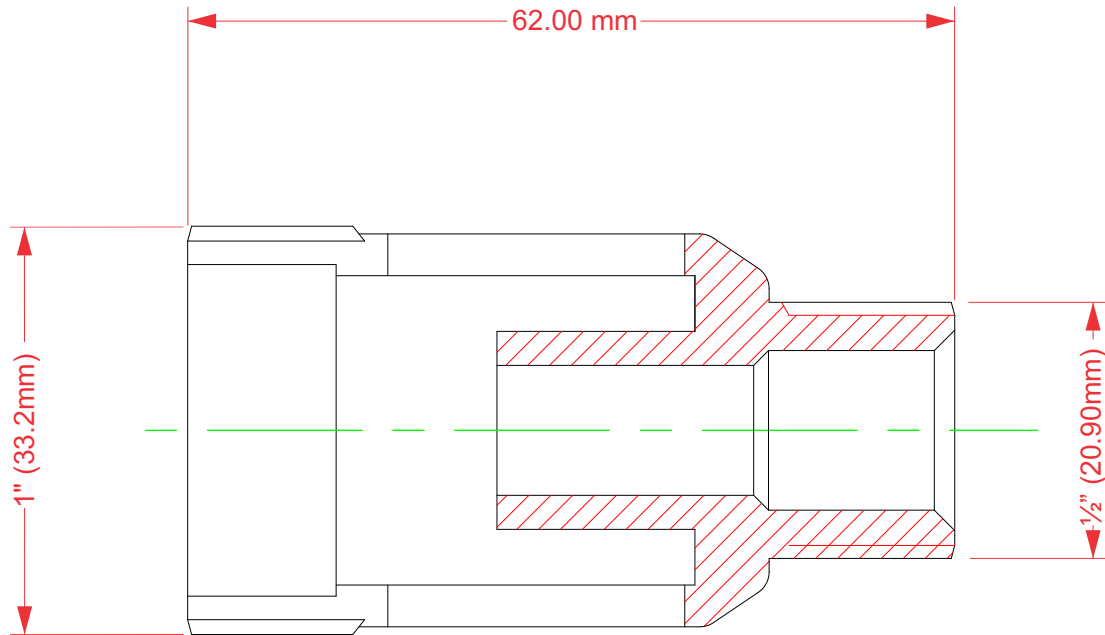
DR Brass - Chromed - 1/2" Male x 1" Male

Product Code

AC1050

Page N° 44

Accessories



Technical Specifications

Supakwik Air Breaks are manufactured from DR Brass Chrome plated.

SUPAKWIK water heaters pty ltd

3/61 Boyland Avenue,
Coopers Plains

Brisbane. Phone 07 3255 6389
Qld 4108. Fax 07 3255 6387

www.supakwik.com

Sept16



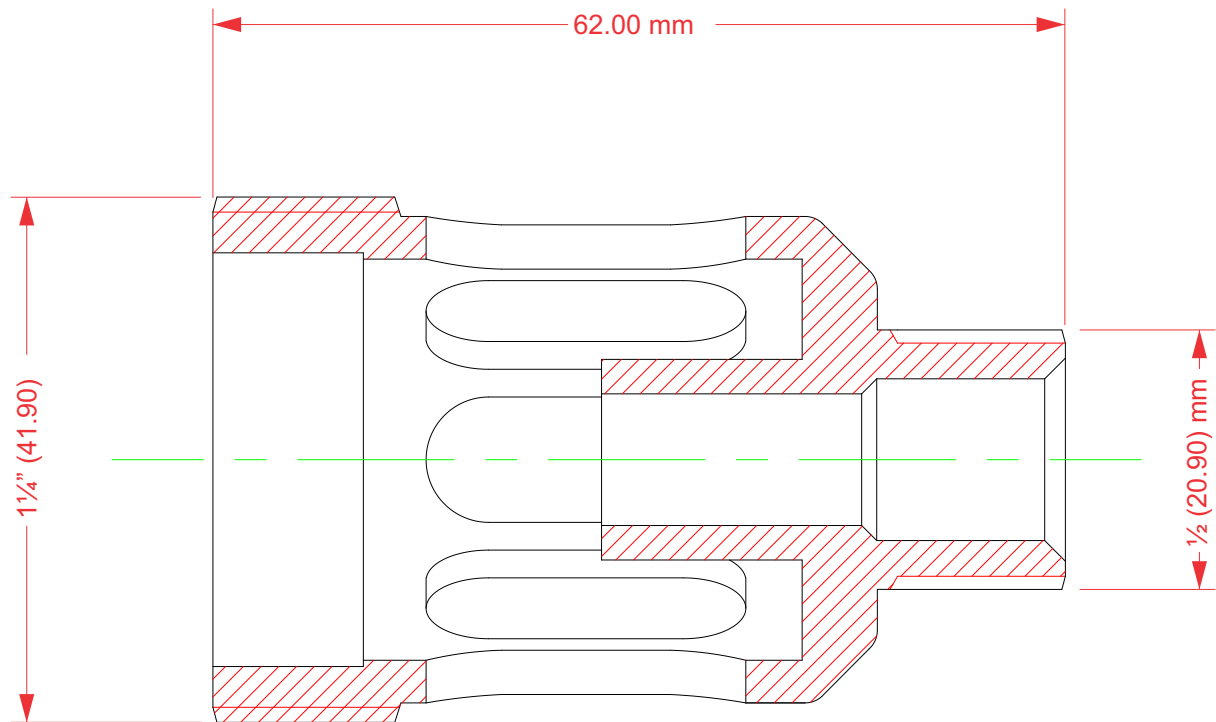
AIR BREAK

Brass - Chromed - 1/2" Male x 1 1/4" Male

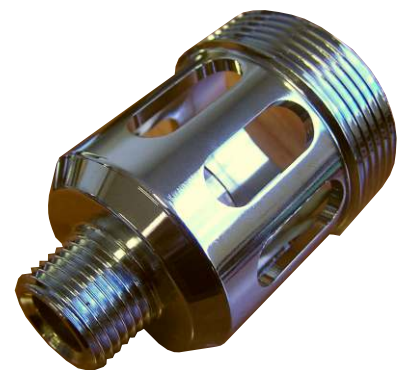
Product Code

AC1060

Page N° 45



Accessories



Technical Specifications

Supakwik Air Breaks are manufactured from DR Brass, Chrome plated.

SUPAKWIK water heaters pty ltd

3/61 Boyland Avenue,
Coopers Plains

Brisbane. Phone 07 3255 6389
Qld 4108. Fax 07 3255 6387

www.supakwik.com

Sept16



AIR BREAK

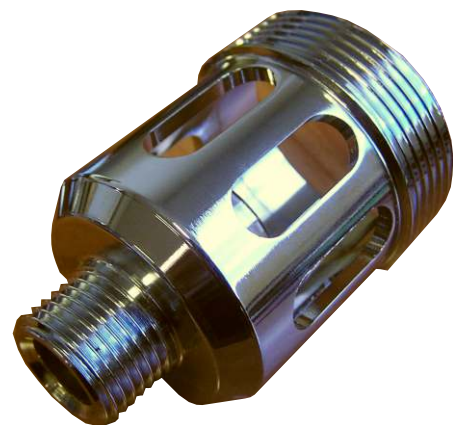
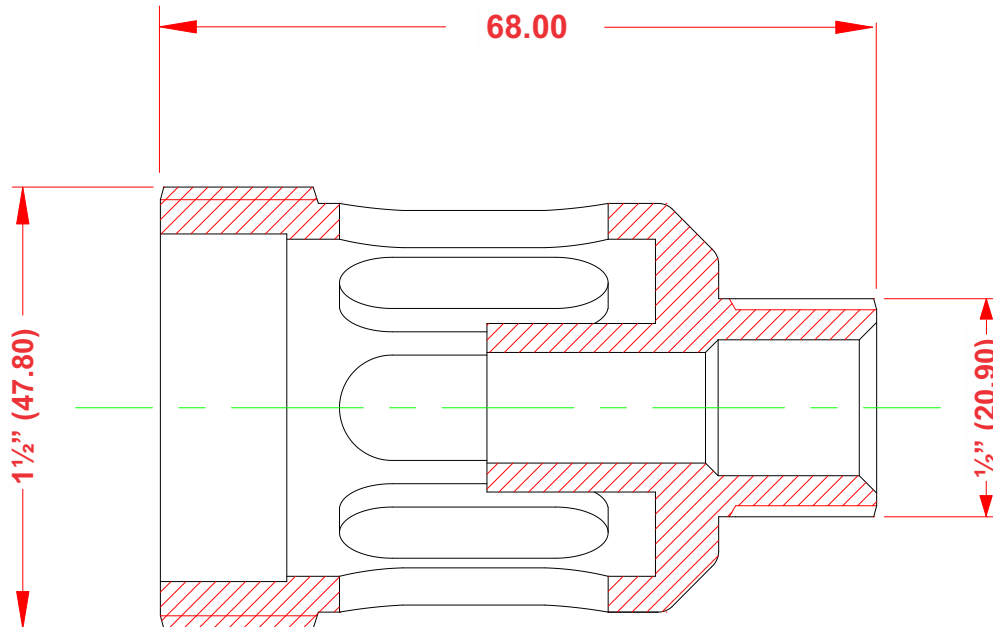
Brass - Chromed - 1/2" Male x 1 1/2" Male

Product Code

AC1070

Page N° 46

Accessories



Technical Specifications

Supakwik Air Breaks are manufactured from DR Brass, Chrome plated.

SUPAKWIK water heaters pty ltd

3/61 Boyland Avenue,
Coopers Plains

Brisbane.
Qld 4108.

Phone 07 3255 6389
Fax 07 3255 6387

www.supakwik.com

Sept16



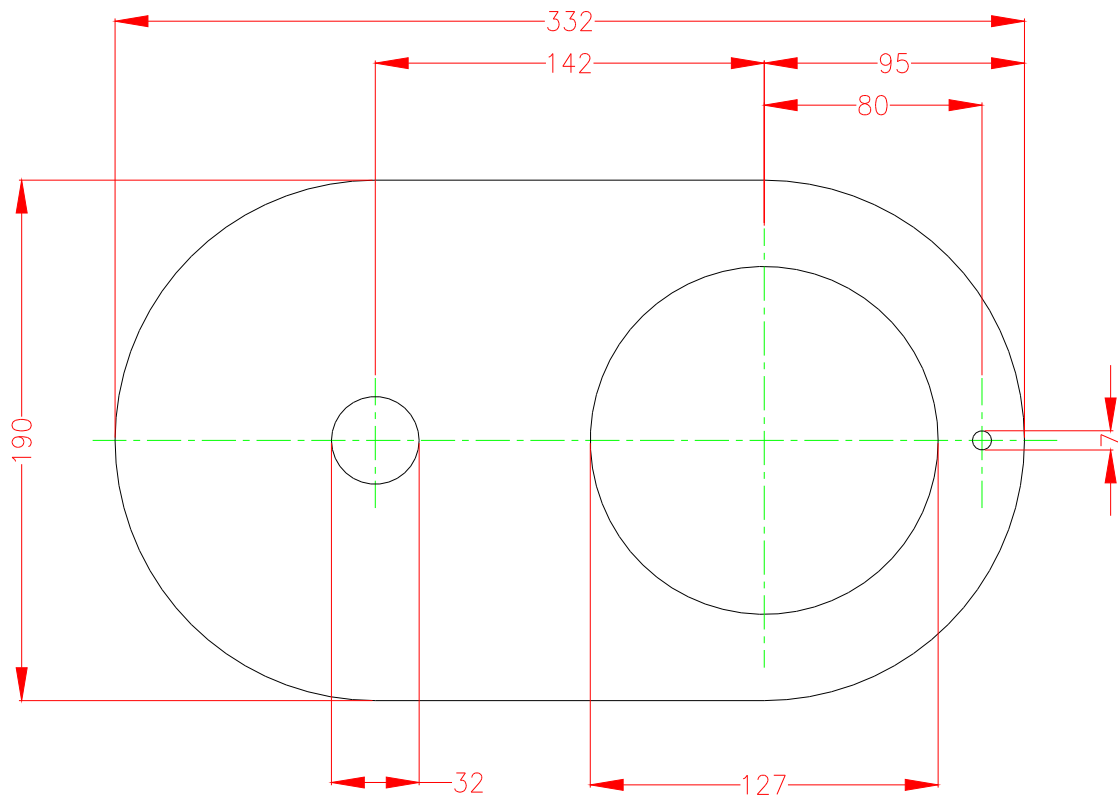
COUNTER TOP FONT

Glass, Black complete with Drain Kit

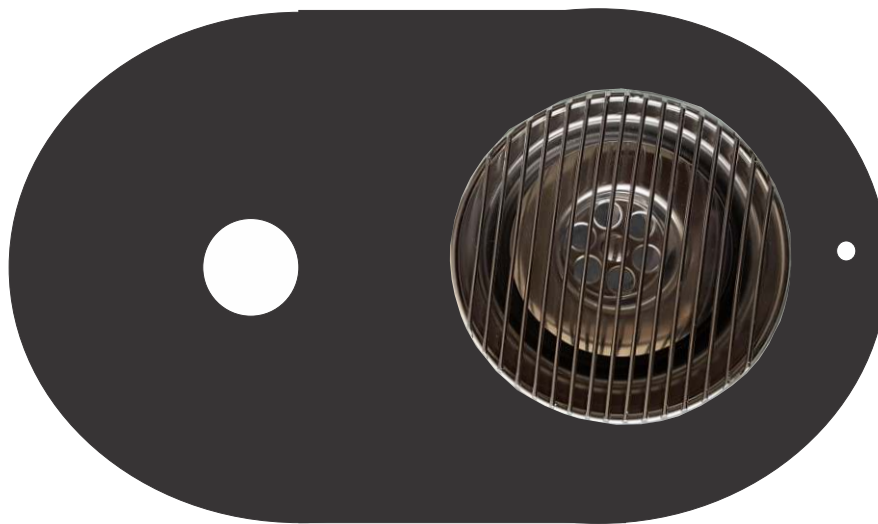
Product Code

CTF-GB

Page N° 47



Accessories



Technical Specifications

Glass counter top font supplied complete with drain kit, silicone counter top seal and drilling template.

SUPAKWIK water heaters pty ltd

3/61 Boyland Avenue,
Coopers Plains

Brisbane. Phone 07 3255 6389

Qld 4108. Fax 07 3255 6387

www.supakwik.com

Sept16



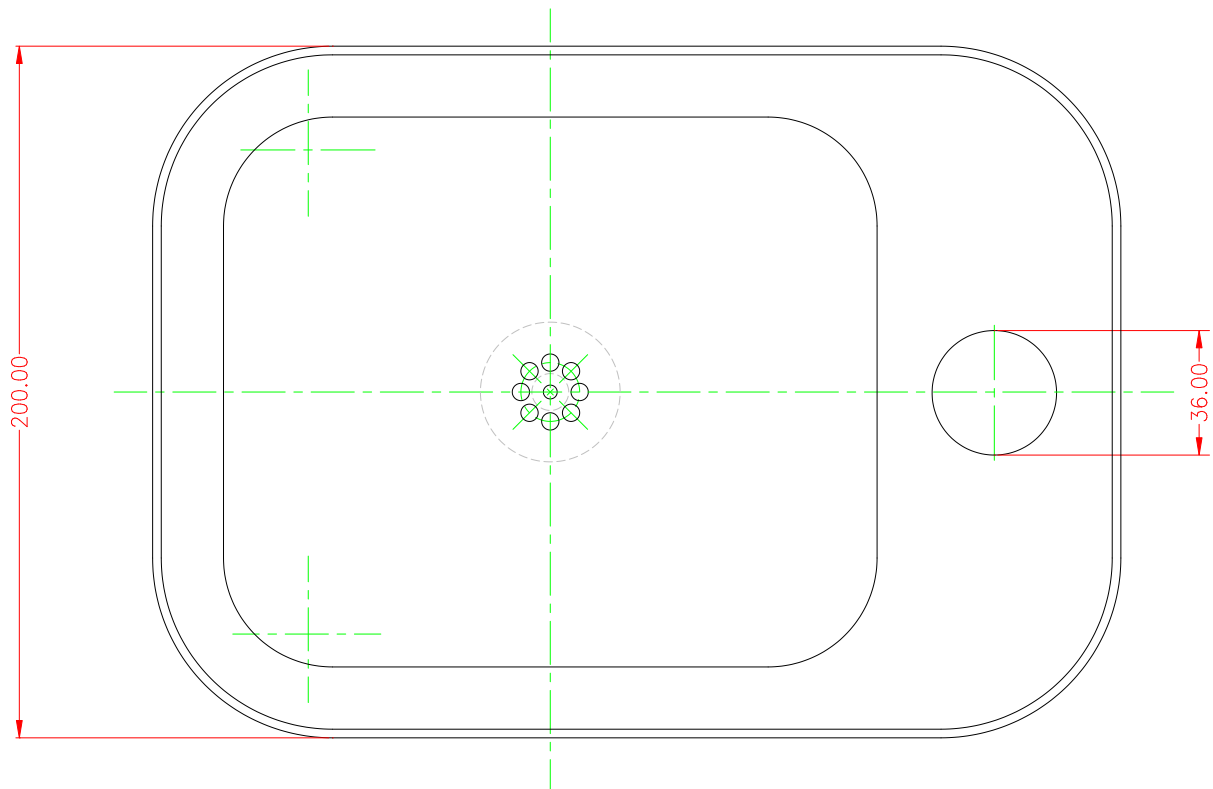
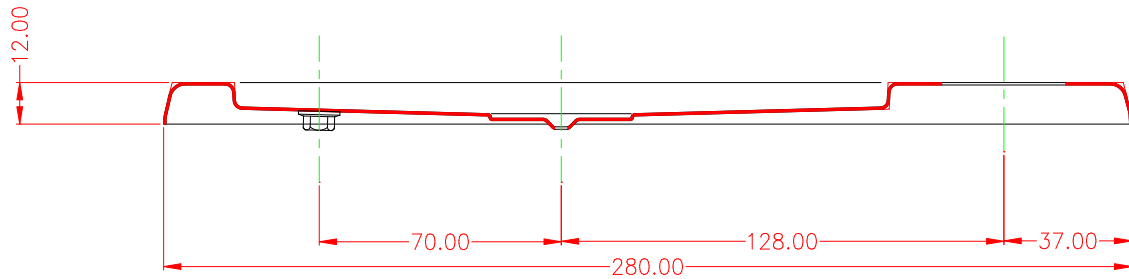
COUNTER TOP FONT

Chrome, Complete with Drain Kit

Product Code

CTF-SC

Page N° 48



Accessories

Technical Specifications

Counter top font manufactured from stainless steel, supplied complete with drain kit

SUPAKWIK water heaters pty ltd

3/61 Boyland Avenue,
Coopers Plains

Brisbane. Phone 07 3255 6389
Qld 4108. Fax 07 3255 6387

www.supakwik.com



COUNTER TOP FONT

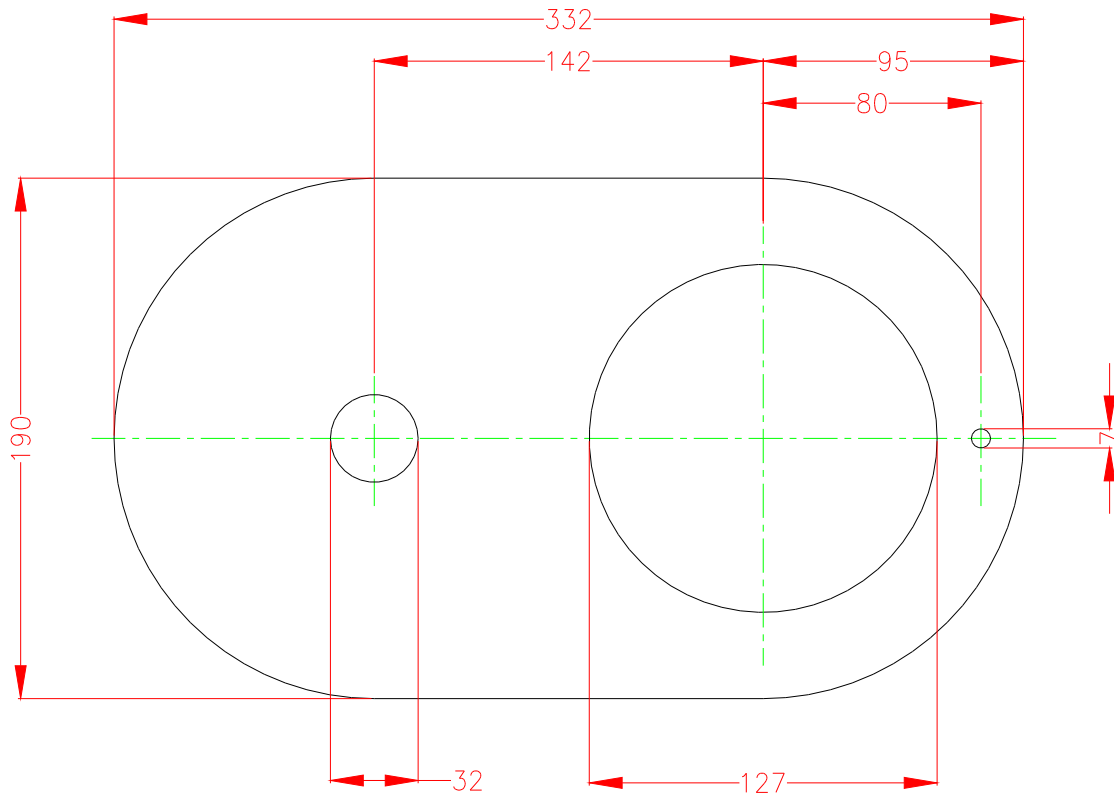
Glass, White complete with Drain Kit

Product Code

CTF-GW

Page N° 49

Accessories



Technical Specifications

Glass counter top font supplied complete with drain kit, silicone counter top seal and drilling template.

SUPAKWIK water heaters pty ltd

3/61 Boyland Avenue,
Coopers Plains

Brisbane.
Qld 4108.

Phone 07 3255 6389
Fax 07 3255 6387

www.supakwik.com

Sept16



OVERSINK RANGE - SUPABOIL & KWIKBOIL SERIES

Code	Description
RP0008	High Level Probe, Oversink Series
RP0021	Tap Assembly
RP0022	Solenoid Valve, Oversink (up to and including Revision F)
RP0023	Controller, Oversink S Series
RP0024	Cordset
RP0025	Tube, Silicone 1 meter
RP0030	Thermistor
RP0031	Seal Kit, Oversink, S & M Series
RP0032	Tap
RP0033	Handle Assembly
RP0034	Cap Seal Kit
RP0045	Element Assembly, 2.4 kW, 20 Cup S & M Series
RP0054	Handle Assembly - Safety
RP0075	Controller Oversink M Series

UNDERSINK RANGE - SUPATAP SERIES

RP0053	Tap Assembly Undersink Series
RP0055	Controller Undersink Series
RP0056	High Level Probe Undersink Series
RP0057	Low Level Probe Undersink 200
RP0058	Boiler Pump
RP0060	Solenoid Valve Ambient & Chiller Undersink Series
RP0063	Pressure Limiting Valve
RP0065	Pump Silicone Tube
RP0066	Heater Silicone Tube
RP0067	Push Connect Fitting Kit

COMMON to OVERSINK & UNDERSINK RANGE

RP0009	Level Probe Sleeve (pack of 5)
RP0018	Element Seal, Over and Undersink Series
RP0030	Thermistor
RP0046	Element Assembly, 2.4 kW, 38-160 Cup S, M & Undersink Series
RP0055	Controller Undersink Series
RP0059	Boiler Solenoid Valve (Oversink S & M Series Revision G onwards & Undersink Series)